

150AYC10B ✓ ACTIVE

Corcom | Corcom AYC

TE Internal #: 6609067-6

Corcom AYC, 3-Phase Filters, 150A 3-Phase Filter Current Rating,
Terminal Block Input, Terminal Block Output, WYE (4 wire + ground)

[View on TE.com >](#)



EMI Filters > Power Line Filters > 3-Phase Filters > CORCOM AYC SERIES 3-PHASE FILTERS



3-Phase Filter Current Rating: **150 A**

Filter Input Termination Type: **Terminal Block**

Filter Output Termination Type: **Terminal Block**

Wiring Configuration: **WYE (4 wire + ground)**

Continuous Operating Voltage (Max): **480 VAC**

[All CORCOM AYC SERIES 3-PHASE FILTERS \(9\)](#)

Features

Product Type Features

Filter Type	3-Phase Power Line
Filtering Requirements	Filtered
Filter Input Termination Type	Terminal Block
Filter Output Termination Type	Terminal Block

Configuration Features

Wiring Configuration	WYE (4 wire + ground)
----------------------	-----------------------

Electrical Characteristics

3-Phase Filter Current Rating	150 A
Continuous Operating Voltage (Max)	480 VAC

Mechanical Attachment

Mount Style	Flanged
-------------	---------

Usage Conditions

Operating Temperature Range	-10 – 40 °C
-----------------------------	-------------

Product Compliance

[For compliance documentation, visit the product page on TE.com>](#)

EU RoHS Directive 2011/65/EU	Compliant
------------------------------	-----------



EU ELV Directive 2000/53/EC	Compliant
China RoHS 2 Directive MIIT Order No 32, 2016	No Restricted Materials Above Threshold
EU REACH Regulation (EC) No. 1907/2006	Current ECHA Candidate List: JAN 2021 (211) Candidate List Declared Against: JAN 2021 (211) Does not contain REACH SVHC
Halogen Content	Not Low Halogen - contains Br or Cl > 900 ppm.
Solder Process Capability	Not applicable for solder process capability

Product Compliance Disclaimer

This information is provided based on reasonable inquiry of our suppliers and represents our current actual knowledge based on the information they provided. This information is subject to change. The part numbers that TE has identified as EU RoHS compliant have a maximum concentration of 0.1% by weight in homogenous materials for lead, hexavalent chromium, mercury, PBB, PBDE, DBP, BBP, DEHP, DIBP, and 0.01% for cadmium, or qualify for an exemption to these limits as defined in the Annexes of Directive 2011/65/EU (RoHS2). Finished electrical and electronic equipment products will be CE marked as required by Directive 2011/65/EU. Components may not be CE marked. Additionally, the part numbers that TE has identified as EU ELV compliant have a maximum concentration of 0.1% by weight in homogenous materials for lead, hexavalent chromium, and mercury, and 0.01% for cadmium, or qualify for an exemption to these limits as defined in the Annexes of Directive 2000/53/EC (ELV). Regarding the REACH Regulation, the information TE provides on SVHC in articles for this part number is based on the latest European Chemicals Agency (ECHA) 'Guidance on requirements for substances in articles' posted at this URL: <https://echa.europa.eu/guidance-documents/guidance-on-reach>

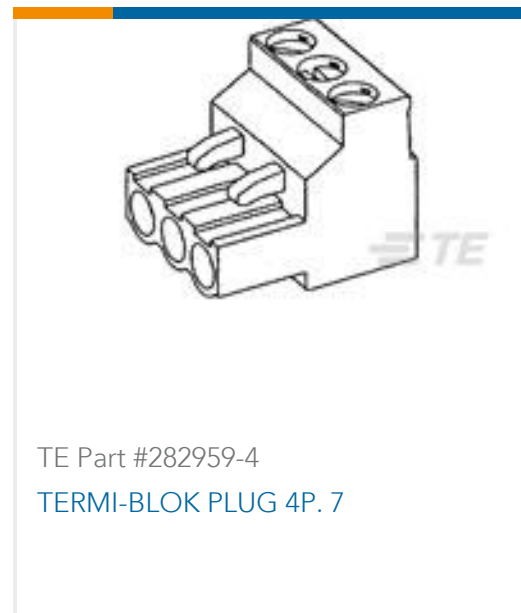
Compatible Parts



Also in the Series | Corcom AYC



Customers Also Bought



Documents

CAD Files

3D PDF

3D

Customer View Model

[ENG_CVM_CVM_6609067-6_A.2d_dxf.zip](#)

English

Customer View Model

[ENG_CVM_CVM_6609067-6_A.3d_igs.zip](#)

English

Customer View Model

[ENG_CVM_CVM_6609067-6_A.3d_stp.zip](#)

English

By downloading the CAD file I accept and agree to the [Terms and Conditions](#) of use.

Datasheets & Catalog Pages

[1654001_Corcom_Product_Guide_AYC_Series](#)

English

[1654001_CORCOM_PRODUCT_GUIDE](#)

English



[1-1654250-1_CORCOM_EMI_RFI_QRG](#)

English

[1773449-2_CORCOM_HIGH_CURRENT](#)

English

[Corcom Combined Selector Charts](#)

English