

8-1609148-7 ✓ ACTIVE

Corcom | Corcom APH

TE Internal #: 8-1609148-7

Corcom APH, 3-Phase Filters, 250A 3-Phase Filter Current Rating,
Bus Bar Input, Bus Bar Output, DELTA (3 wire + ground)

[View on TE.com >](#)



EMI Filters > Power Line Filters > 3-Phase Filters > CORCOM APH SERIES 3-PHASE FILTERS



3-Phase Filter Current Rating: **250 A**

Filter Input Termination Type: **Bus Bar**

Filter Output Termination Type: **Bus Bar**

Wiring Configuration: **DELTA (3 wire + ground)**

Continuous Operating Voltage (Max): **690 VAC**

[All CORCOM APH SERIES 3-PHASE FILTERS \(10\)](#)

Features

Product Type Features

Filter Type	Power Line
Filtering Requirements	Filtered
Filter Input Termination Type	Bus Bar
Filter Output Termination Type	Bus Bar

Configuration Features

Wiring Configuration	DELTA (3 wire + ground)
----------------------	-------------------------

Electrical Characteristics

Leakage Current (Max) (250VAC, 50Hz)	330 mA
3-Phase Filter Current Rating	250 A
Continuous Operating Voltage (Max)	690 VAC

Mechanical Attachment

Mount Style	Flanged
-------------	---------

Usage Conditions

Operating Temperature Range	-10 – 50 °C
-----------------------------	-------------

Product Compliance

[For compliance documentation, visit the product page on TE.com>](#)



EU RoHS Directive 2011/65/EU	Compliant
EU ELV Directive 2000/53/EC	Compliant
China RoHS 2 Directive MIIT Order No 32, 2016	No Restricted Materials Above Threshold
EU REACH Regulation (EC) No. 1907/2006	Current ECHA Candidate List: JAN 2021 (211) Candidate List Declared Against: JAN 2021 (211) Does not contain REACH SVHC
Halogen Content	Low Halogen - Br, Cl, F, I < 900 ppm per homogenous material. Also BFR/CFR/PVC Free
Solder Process Capability	Not applicable for solder process capability

Product Compliance Disclaimer

This information is provided based on reasonable inquiry of our suppliers and represents our current actual knowledge based on the information they provided. This information is subject to change. The part numbers that TE has identified as EU RoHS compliant have a maximum concentration of 0.1% by weight in homogenous materials for lead, hexavalent chromium, mercury, PBB, PBDE, DBP, BBP, DEHP, DIBP, and 0.01% for cadmium, or qualify for an exemption to these limits as defined in the Annexes of Directive 2011/65/EU (RoHS2). Finished electrical and electronic equipment products will be CE marked as required by Directive 2011/65/EU. Components may not be CE marked. Additionally, the part numbers that TE has identified as EU ELV compliant have a maximum concentration of 0.1% by weight in homogenous materials for lead, hexavalent chromium, and mercury, and 0.01% for cadmium, or qualify for an exemption to these limits as defined in the Annexes of Directive 2000/53/EC (ELV). Regarding the REACH Regulation, the information TE provides on SVHC in articles for this part number is based on the latest European Chemicals Agency (ECHA) 'Guidance on requirements for substances in articles' posted at this URL: <https://echa.europa.eu/guidance-documents/guidance-on-reach>

Compatible Parts

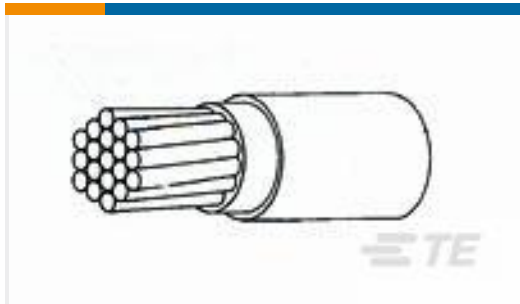


Also in the Series | Corcom APH

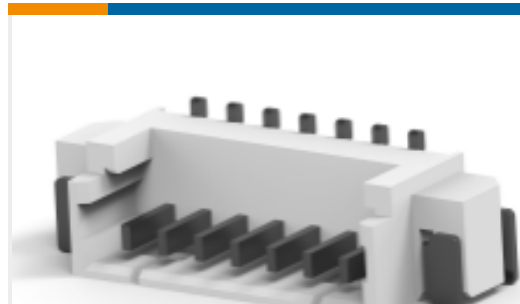


3-Phase Filters(10)

Customers Also Bought



TE Part #282229-005
81044/12-16-9



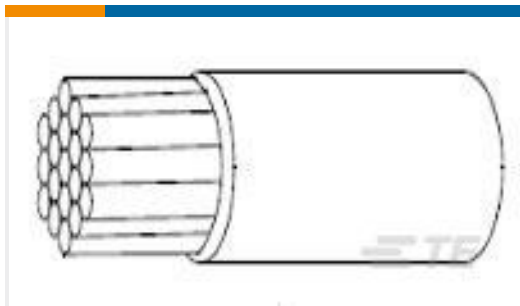
TE Part #2-1734598-4
AMP HPI 1.25MM HEADERS



TE Part #2-2303813-1
DEUTSCH DT Series Housings & Connectors



TE Part #YDTS26F25-61PCC001
D38999: Straight Plug, 25-61 Insert



TE Part #216270-001
22759/32-12-9



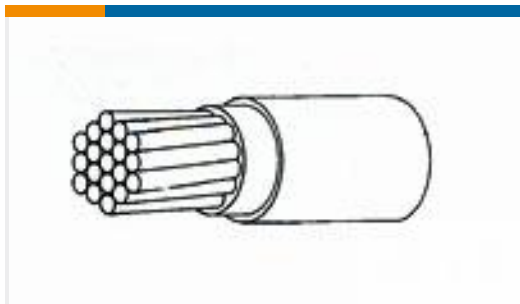
TE Part #2-1649328-8
RT334005



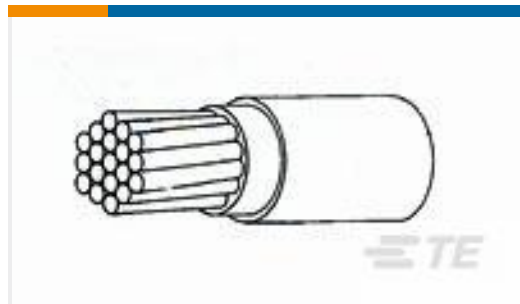
TE Part #2-2170785-2
CAGE ASSY, 1X4, QSFP28, GASKET, HS, LP



TE Part #2-2170808-5
QSFP28, 1X2, CAGE ASSY, SPRING, HS, LP



TE Part #184523-000
22759/43-10-9



TE Part #285758-010
44A0111-26-8-US

Documents

Product Drawings
[250APH12P=F8400](#)

English

[250APH12P=F8400](#)

English

CAD Files

[3D PDF](#)

[3D](#)



Customer View Model

[ENG_CVM_CVM_8-1609148-7_A_c-8-1609148-7-a.2d_dxf.zip](#)

English

Customer View Model

[ENG_CVM_CVM_8-1609148-7_A_c-8-1609148-7-a.3d_igs.zip](#)

English

Customer View Model

[ENG_CVM_CVM_8-1609148-7_A_c-8-1609148-7-a.3d_stp.zip](#)

English

By downloading the CAD file I accept and agree to the [Terms and Conditions](#) of use.

Datasheets & Catalog Pages

[1654001_CORCOM_PRODUCT_GUIDE](#)

English

[Corcom APH/APS Series 3-phase high current EMI filters](#)

English

[Corcom Combined Selector Charts](#)

English