

H8787RBYA ✓ ACTIVE

Holsworthy | Holsworthy Holco

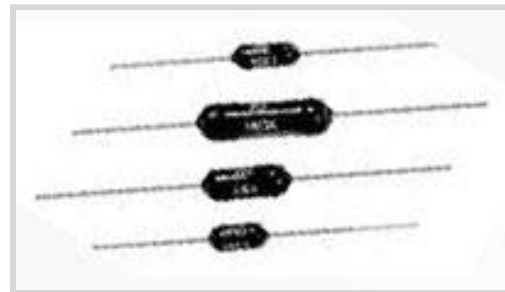
TE Internal #: 8-1879663-4

Holsworthy Holco, Through-Hole Resistors, Precision Resistor, 7.2 x 2.5 mm, 2 Termination, Bandoliered, .1 Passive Component Tolerance, Thin Film

[View on TE.com >](#)



Passive Components > Resistors > Through-Hole Resistors



Resistor Type: **Precision Resistor**

Passive Component Dimensions: **7.2 x 2.5 mm**

Number of Terminations: **2**

Packaging Method: **Bandoliered**

Passive Component Tolerance: **.1 %**

Features

Product Type Features

Product Type	Fixed Resistor
Resistor Type	Precision Resistor
Element Type	Thin Film

Configuration Features

Number of Resistors	1
---------------------	---

Electrical Characteristics

Voltage Rating	350 V
Passive Component Tolerance	.1 %
Resistance Class	Up to 1k Ω
Resistance Value	787 Ω
Power Rating	.25 W

Body Features

Passive Component Lead Type	Axial-Leaded
-----------------------------	--------------

Termination Features

Number of Terminations	2
Passive Component Termination Material Type	Tinned Copper Leads

Dimensions

Passive Component Dimensions	7.2 x 2.5 mm
------------------------------	--------------

Usage Conditions

Operating Temperature Range	-55 – 155 °C
Temperature Coefficient	±15 ppm/°C

Packaging Features

Packaging Method	Bandoliered
------------------	-------------

Product Compliance

For compliance documentation, visit the product page on [TE.com](#)>

EU RoHS Directive 2011/65/EU	Compliant
EU ELV Directive 2000/53/EC	Compliant
China RoHS 2 Directive MIIT Order No 32, 2016	No Restricted Materials Above Threshold
EU REACH Regulation (EC) No. 1907/2006	Current ECHA Candidate List: JAN 2021 (211) Candidate List Declared Against: JAN 2021 (211) Does not contain REACH SVHC
Halogen Content	Low Halogen - Br, Cl, F, I < 900 ppm per homogenous material. Also BFR/CFR/PVC Free
Solder Process Capability	Wave solder capable to 265°C

Product Compliance Disclaimer

This information is provided based on reasonable inquiry of our suppliers and represents our current actual knowledge based on the information they provided. This information is subject to change. The part numbers that TE has identified as EU RoHS compliant have a maximum concentration of 0.1% by weight in homogenous materials for lead, hexavalent chromium, mercury, PBB, PBDE, DBP, BBP, DEHP, DIBP, and 0.01% for cadmium, or qualify for an exemption to these limits as defined in the Annexes of Directive 2011/65/EU (RoHS2). Finished electrical and electronic equipment products will be CE marked as required by Directive 2011/65/EU. Components may not be CE marked. Additionally, the part numbers that TE has identified as EU ELV compliant have a maximum concentration of 0.1% by weight in homogenous materials for lead, hexavalent chromium, and mercury, and 0.01% for cadmium, or qualify for an exemption to these limits as defined in the Annexes of Directive 2000/53/EC (ELV). Regarding the REACH Regulation, the information TE provides on SVHC in articles for this part number is based on the latest European Chemicals Agency (ECHA) 'Guidance on requirements for substances in articles' posted at this URL: <https://echa.europa.eu/guidance-documents/guidance-on-reach>

Compatible Parts



TE Part # 9-1879664-1
H8 10K 0.1% 15PPM



TE Part # 1879623-8
H4 1K3 0.1% 5PPM



TE Part # 2-1879622-2
H4P 1M0 1% 50PPM



TE Part # 5-1879642-1
H8 5K0 0.1% 25PPM



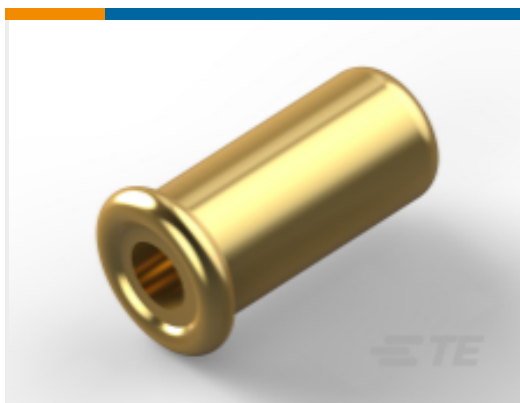
TE Part # 1879629-8
H4P 127R 0.5% 5PPM

Also in the Series | **Holsworthy Holco**



Through-Hole Resistors(6380)

Customers Also Bought



TE Part #1-5331677-8
Mini Spring Sockets: Closed Bottom, 5A



TE Part #1-1337543-0
BNC Ins R/A PCB Skt 50Ohm White



TE Part #1-1879664-5
H8 1K62 0.1% 15PPM



TE Part #1-2176163-4
UPF50 0.1% 5PPM 40K



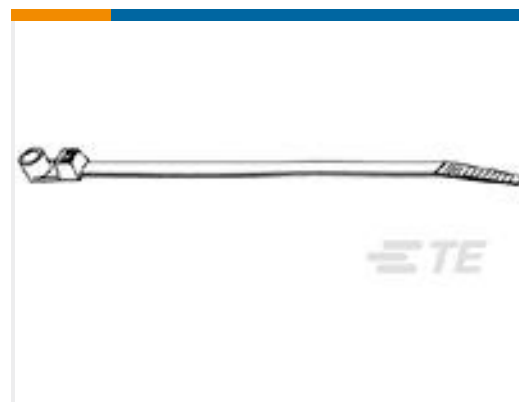
TE Part #1-1676914-7
YR1 0.1% 3K48



TE Part #1-2213819-0
6X6 ILL TACT SMT 100GF HI PURE GREEN



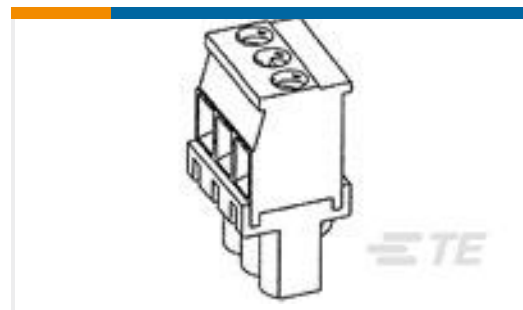
TE Part #1393260-1
Forced Guided Relay, Reinforced Insulate



TE Part #1-608694-0
CABLE TIE,#10 SCR.MT,BLK,100PK



TE Part #EC0963-000
06173942



TE Part #1-1986375-6
Str Plug, 3.81mm, Green, LH, 16 posn

Documents

CAD Files

[3D PDF](#)

[3D](#)

Customer View Model

[ENG_CVM_CVM_8-1879663-4_BA.2d_dxf.zip](#)

English

Customer View Model

[ENG_CVM_CVM_8-1879663-4_BA.3d_igs.zip](#)

English

Customer View Model

[ENG_CVM_CVM_8-1879663-4_BA.3d_stp.zip](#)

English

By downloading the CAD file I accept and agree to the [Terms and Conditions](#) of use.

Datasheets & Catalog Pages

[1309350_PASSIVE_COMPONENT](#)

English

[Axial Leaded Precision Resistors - Type HOLCO Series](#)

English

[8-1773459-4_POWER_FILTERING_AND_RESISTIVE_SOLUTIONS_FOR_ELEVATORS_AND_ESCALATORS](#)

English