



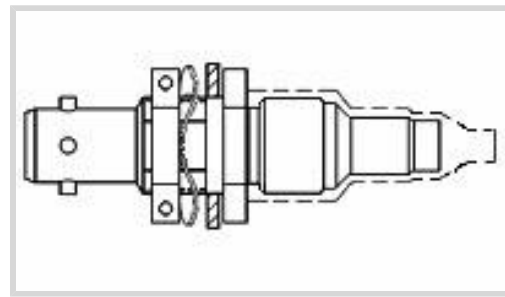
Raychem

TE Internal #: 042871-000

Data Bus Connectors, Jack, Bayonet, D Polarization (Bayonet Style), Pin

[View on TE.com >](#)

Cable Assemblies > Data Bus Components > Data Bus Connectors



Data Bus Connector Type: **Jack**

Data Bus Connector Style: **Bayonet**

Polarization (Bayonet Style): **D**

Data Bus Connector Contact Type: **Pin**

Features

Product Type Features

Product Type	Data Bus Component
Data Bus Connector Type	Jack
Data Bus Connector Style	Bayonet

Contact Features

Data Bus Connector Contact Type	Pin
---------------------------------	-----

Termination Features

Connection Type	Solder
-----------------	--------

Mechanical Attachment

Polarization (Bayonet Style)	D
------------------------------	---

Usage Conditions

Operating Temperature (Max)	125 °C
-----------------------------	--------

Product Compliance

[For compliance documentation, visit the product page on TE.com>](#)

EU RoHS Directive 2011/65/EU	Not Compliant
EU ELV Directive 2000/53/EC	Not Compliant
China RoHS 2 Directive MIIT Order No 32, 2016	Restricted Materials Above Threshold
EU REACH Regulation (EC) No. 1907/2006	Current ECHA Candidate List: JAN 2021 (211)



Candidate List Declared Against: JUL 2019
(201)

SVHC > Threshold:

Pb (37% in Solder)

Article Safe Usage Statements:

Do not eat, drink or smoke when using this product. Wash thoroughly after handling. Recycle if possible and dispose of the article by following all applicable governmental regulations relevant to your geographic location.

Halogen Content

Low Halogen - Br, Cl, F, I < 900 ppm per homogenous material. Also BFR/CFR/PVC Free

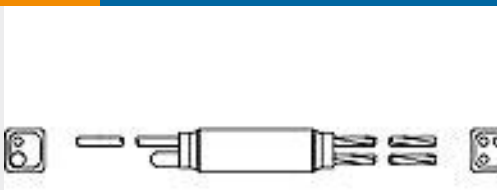
Solder Process Capability

Not applicable for solder process capability

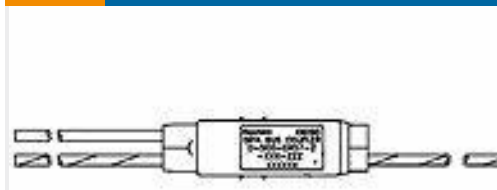
Product Compliance Disclaimer

This information is provided based on reasonable inquiry of our suppliers and represents our current actual knowledge based on the information they provided. This information is subject to change. The part numbers that TE has identified as EU RoHS compliant have a maximum concentration of 0.1% by weight in homogenous materials for lead, hexavalent chromium, mercury, PBB, PBDE, DBP, BBP, DEHP, DIBP, and 0.01% for cadmium, or qualify for an exemption to these limits as defined in the Annexes of Directive 2011/65/EU (RoHS2). Finished electrical and electronic equipment products will be CE marked as required by Directive 2011/65/EU. Components may not be CE marked. Additionally, the part numbers that TE has identified as EU ELV compliant have a maximum concentration of 0.1% by weight in homogenous materials for lead, hexavalent chromium, and mercury, and 0.01% for cadmium, or qualify for an exemption to these limits as defined in the Annexes of Directive 2000/53/EC (ELV). Regarding the REACH Regulation, the information TE provides on SVHC in articles for this part number is based on the latest European Chemicals Agency (ECHA) 'Guidance on requirements for substances in articles' posted at this URL: <https://echa.europa.eu/guidance-documents/guidance-on-reach>

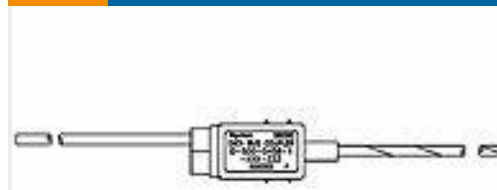
Compatible Parts



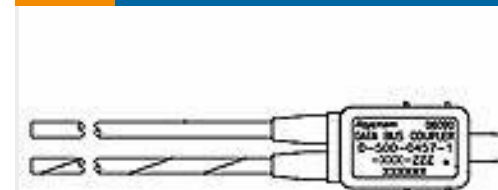
TE Part # CW5133-000
D-500-L458-3-613-240



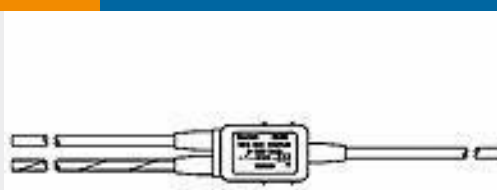
TE Part # 086143-000
D-500-0457-2-613-078



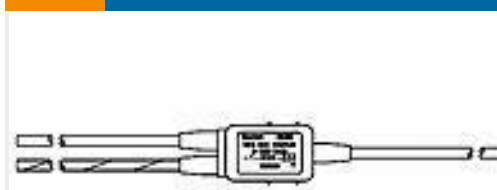
TE Part # 963767-000
D-500-0458-1-613-078



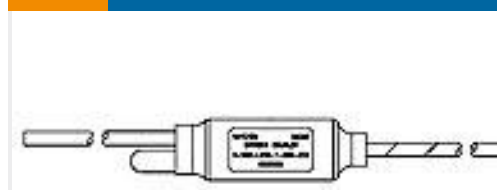
TE Part # 305965-000
D-500-0457-1-613-078



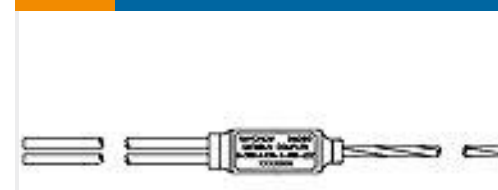
TE Part # 711065-000
D-500-0455-1-613-078



TE Part # 638875-000
D-500-0455-1-612-120



TE Part # CB4500-000
D-500-L458-1-614-120



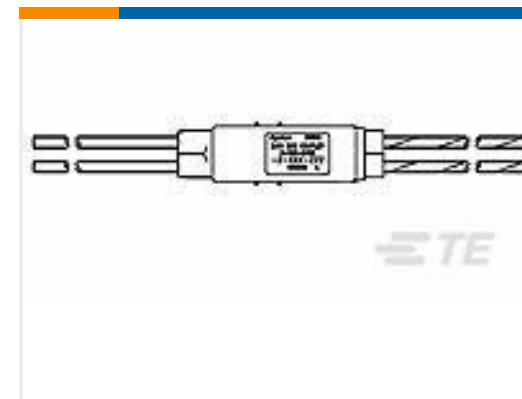
TE Part # CM3382-000
D-500-L456-1-614-360



TE Part # 890679-000
D-500-0455-1-612-012



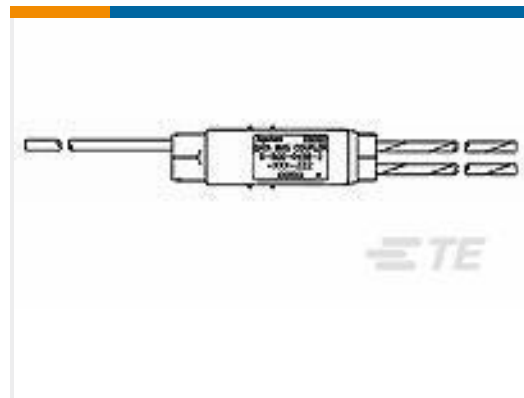
TE Part # 775907-000
D-500-0458-1-612-078



TE Part # 010739-000
D-500-0456-2-612-078



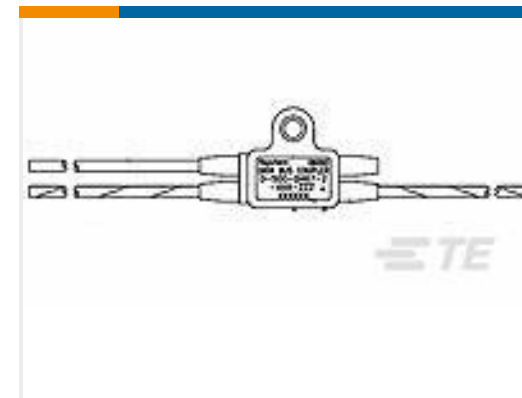
TE Part # 532367-000
D-500-0455-1-612-236



TE Part # 005943-000
D-500-0458-2-612-078



TE Part # 750984-004
10612-24-9



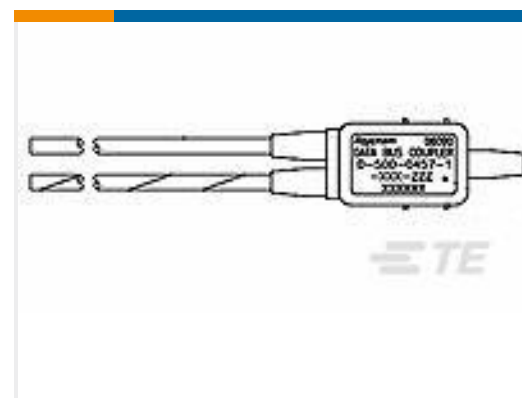
TE Part # 451385-000
D-500-0467-2-613-079



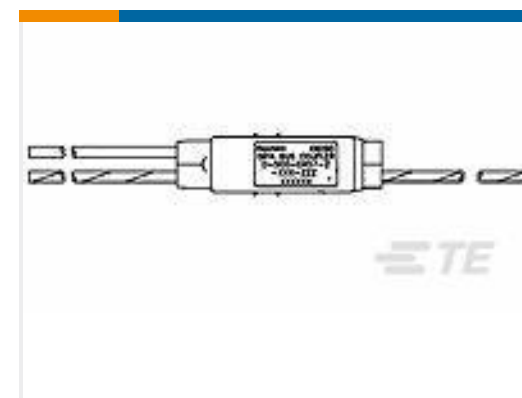
TE Part # 936085-000
D-500-0455-1-613-120



TE Part # 789709-000
D-500-0456-1-612-012



TE Part # 199203-000
D-500-0457-1-613-236

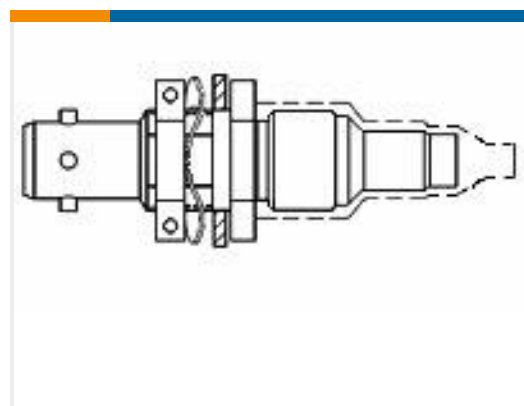


TE Part # 942211-000
D-500-0457-2-613-120

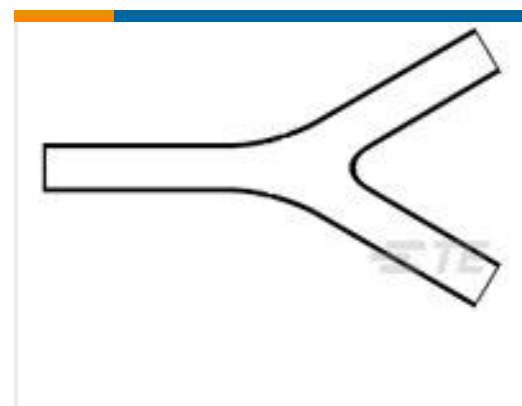


TE Part # 575126-000
D-500-0458-2-613-078

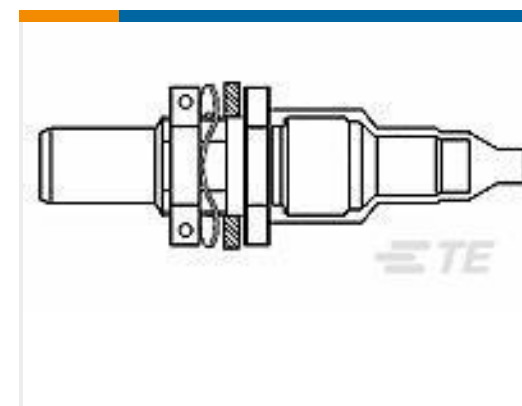
Customers Also Bought



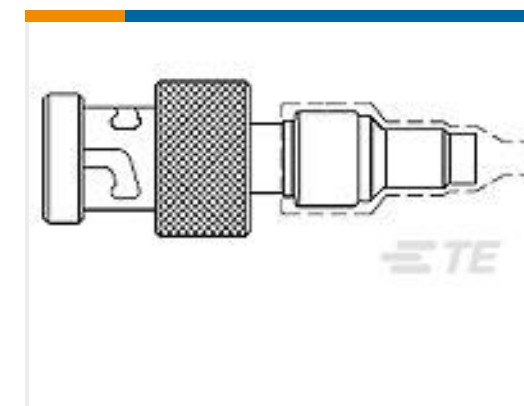
TE Part #143981-000
DK-621-0434-1S



TE Part #183451-000
381A301-71/86-0



TE Part #118345-000
DK-621-0412-P



TE Part #014939-000
DK-621-0439-4S



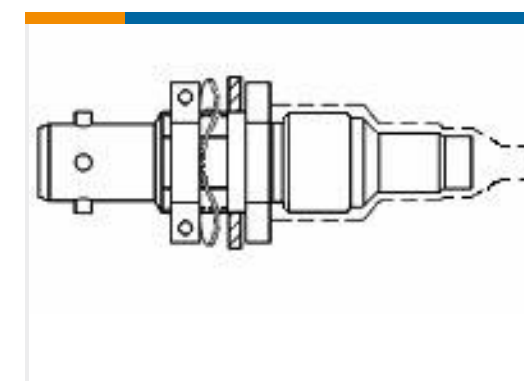
TE Part #0641-3-1231L
CONT PIN



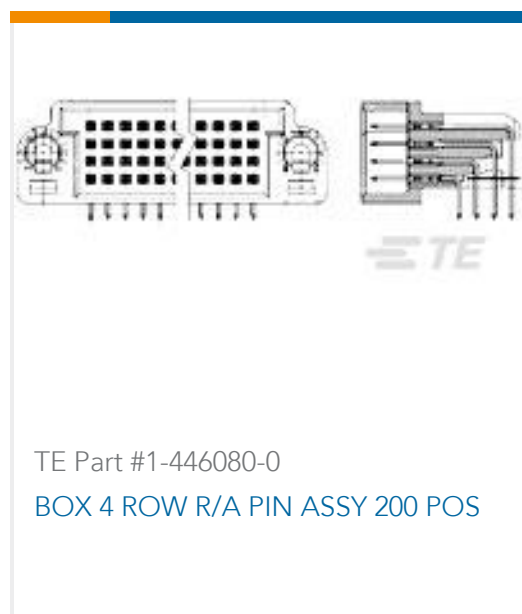
TE Part #234062-002
2524E0114-9



TE Part #YDTS20W17-08PNC001
D38999: Square Flange, 17-08 insert



TE Part #099759-000
DK-621-0940-4S



Documents

Product Drawings

[DK-621-0440-4P](#)

English

Datasheets & Catalog Pages

[Data Bus Components Brochure](#)

English

Product Specifications

[Product Specification](#)

English

Instruction Sheets

[Instruction Sheet \(U.S.\)](#)

English