



AMP SSMA

TE Internal #: 1045398-1

AMP SSMA, RF Connectors, SSMA RF Interface, Jack, RF Connector Mated Outer Diameter (Approximate) .285 in [7.24 mm], 50 Ω

[View on TE.com >](#)

Connectors > RF Coax Connectors > RF Connectors



RF Interface: **SSMA**

RF Connector Style: **Jack**

RF Connector Mated Outer Diameter (Approximate): **7.24 mm [.285 in]**

Impedance: **50 Ω**

Compatible With RF Cable Type: **RG 405 Semi-Rigid**

Features

Product Type Features

Connector Product Type	Connector Assembly
RF Interface	SSMA
RF Connector Style	Jack
Compatible With RF Cable Type	RG 405 Semi-Rigid
Sealable	Yes
Connector & Contact Terminates To	Wire & Cable
Connector Seal Type	O-Ring Panel

Configuration Features

Number of Positions	1
Number of Coaxial Contacts	1

Electrical Characteristics

Impedance	50 Ω
-----------	------

Body Features

Cable Connector Orientation	Straight
Body Material	Stainless Steel
Body Material Finish	Plated
Body Plating Material	Gold

Contact Features



RF Connector Center Contact Underplating Material	Copper, Nickel
RF Connector Center Contact Plating Material	Gold
RF Connector Center Contact Material	Beryllium Copper

Termination Features

Termination Method to Wire & Cable	Solder
------------------------------------	--------

Mechanical Attachment

RF Connector Coupling Mechanism	Threaded
Connector Mounting Type	Bulkhead
RF Contact Captivation Method	None

Dimensions

RF Connector Mated Outer Diameter (Approximate)	7.24 mm [.285 in]
---	-------------------

Usage Conditions

Operating Temperature Range	-65 – 165 °C [-85 – 329 °F]
-----------------------------	-----------------------------

Operation/Application

Operating Frequency	38 GHz
---------------------	--------

Packaging Features

Packaging Method	Package
------------------	---------

Other

Dielectric Material	PTFE
---------------------	------

Product Compliance

[For compliance documentation, visit the product page on TE.com>](#)

EU RoHS Directive 2011/65/EU	Compliant
EU ELV Directive 2000/53/EC	Compliant
China RoHS 2 Directive MIIT Order No 32, 2016	No Restricted Materials Above Threshold
EU REACH Regulation (EC) No. 1907/2006	Current ECHA Candidate List: JAN 2021 (211) Candidate List Declared Against: JAN 2019 (197) SVHC > Threshold: Pb (.6% in base metal) Article Safe Usage Statements: Do not eat, drink or smoke when using this product. Wash thoroughly after handling. Recycle if possible and dispose of the article by following all applicable governmental regulations relevant to your geographic location.
Halogen Content	Not Yet Reviewed for halogen content

Solder Process Capability

Not reviewed for solder process capability

Product Compliance Disclaimer


This information is provided based on reasonable inquiry of our suppliers and represents our current actual knowledge based on the information they provided. This information is subject to change. The part numbers that TE has identified as EU RoHS compliant have a maximum concentration of 0.1% by weight in homogenous materials for lead, hexavalent chromium, mercury, PBB, PBDE, DBP, BBP, DEHP, DIBP, and 0.01% for cadmium, or qualify for an exemption to these limits as defined in the Annexes of Directive 2011/65/EU (RoHS2). Finished electrical and electronic equipment products will be CE marked as required by Directive 2011/65/EU. Components may not be CE marked. Additionally, the part numbers that TE has identified as EU ELV compliant have a maximum concentration of 0.1% by weight in homogenous materials for lead, hexavalent chromium, and mercury, and 0.01% for cadmium, or qualify for an exemption to these limits as defined in the Annexes of Directive 2000/53/EC (ELV). Regarding the REACH Regulation, the information TE provides on SVHC in articles for this part number is based on the latest European Chemicals Agency (ECHA) 'Guidance on requirements for substances in articles' posted at this URL: <https://echa.europa.eu/guidance-documents/guidance-on-reach>

Compatible Parts




TE Part # 1045489-1
1031 7188 02, OSSM CABLE PLUG

Also in the Series | AMP SSMA



In-Series Adapters(5)



RF Connectors(47)

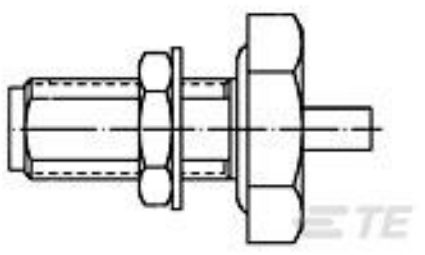
Customers Also Bought



TE Part #2226783-3
FORTIS LRM, DAUGHTER CARD, 9 BAY SHELL



TE Part #1532021-5
095-0605-2030=MCDR3-B-15PS



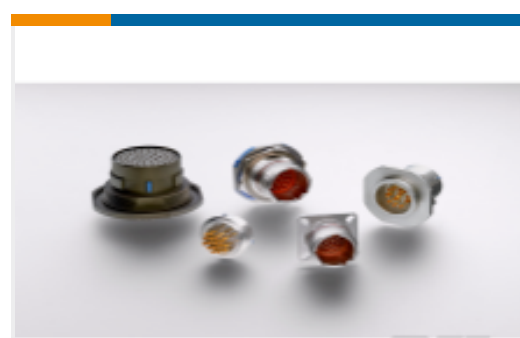
TE Part #1311708-1
1004 7947 00



TE Part #3-592404-1
5000-027-0022



TE Part #CTJ420E101-513
ELEC MODULE



TE Part #YDTS24Y15-05PNV001
HERM RECP



TE Part #1617119-2
J1MAW-12XP = M39016/7-019P



TE Part #3-1617162-3
J1MSWT-5XP = M28776/4-017P



TE Part #3-1617146-4
JMGACDG-12LW = M39016/18-052L



TE Part #5-1393099-7
KA-14DG-24=KA/KB/KC/KR

Documents

Product Drawings

SSMA Bulkhead Cable Jack 1004 5005 90

English

CAD Files

3D PDF

3D

Customer View Model

[ENG_CVM_CVM_1045398-1_D.2d_dxf.zip](#)

English

Customer View Model

[ENG_CVM_CVM_1045398-1_D.3d_igs.zip](#)

English

Customer View Model

[ENG_CVM_CVM_1045398-1_D.3d_stp.zip](#)

English

By downloading the CAD file I accept and agree to the [Terms and Conditions](#) of use.

Datasheets & Catalog Pages

Products for Aerospace and Defense

English

Instruction Sheets

OSSM Bulkhead Feedthrough Cable Jack Direct Solder Attachment 1045401-1

English

Instruction Sheet (U.S.)

English

1045398-1

AMP SSMA, RF Connectors, SSMA RF Interface, Jack, RF Connector Mated Outer
Diameter (Approximate) .285 in [7.24 mm], 50 Ω

