

6-788796-7 ✓ ACTIVE

AMPLIMITE

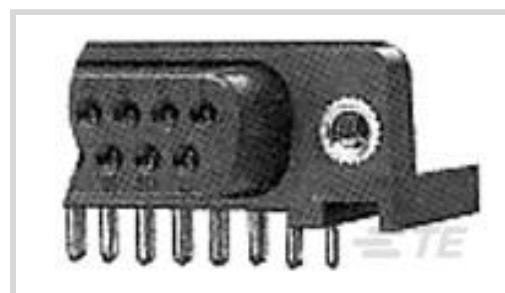
TE Internal #: 6-788796-7

PCB D-Sub Connectors, Receptacle, Board-to-Board, 9 Position, 2.74mm [.108in] Centerline, 2 Row, Row-to-Row Spacing 2.84 mm [.112 in]

[View on TE.com >](#)



Connectors > D-Shaped Connectors > D-Sub Connectors > PCB D-Sub Connectors > D-Sub Receptacle Assembly: Right Angle, Shell Size 1, 2.74mm



Connector & Housing Type: **Receptacle**

Connector System: **Board-to-Board**

Number of Positions: **9**

Centerline (Pitch): **2.74 mm [.108 in]**

Number of Rows: **2**

[All D-Sub Receptacle Assembly: Right Angle, Shell Size 1, 2.74mm \(77\)](#)

Features

Product Type Features

Grounding Indents	Without
Grounding Straps	Without
Footprint	8.08 mm[.318 in]
Shell Type	Front Metal Shell
Connector & Housing Type	Receptacle
Connector System	Board-to-Board
D-Sub Shell Size	1
Sealable	No
Connector & Contact Terminates To	Printed Circuit Board
Product Type	Connector

Configuration Features

Number of Positions	9
Number of Rows	2
PCB Mount Orientation	Right Angle
Preloaded	Yes

Body Features

Eyelet Material	Brass
-----------------	-------



Eyelet Plating Material	Tin
Plastic	No
Connector Profile	Standard
Shell Plating Material	Tin over Copper
Shell Material	Carbon Steel
	.13 in

Contact Features

Contact Mating Area Plating Material	Gold
Contact Underplating Material	Nickel
PCB Contact Termination Area Plating Material	Tin
Contact Base Material	Phosphor Bronze
Contact Current Rating (Max)	6 A
	30 μ in

Termination Features

Grounding Clips	Without
Termination Method to Printed Circuit Board	Through Hole - Solder
Termination Post Length	3.18 mm [.125 in]

Mechanical Attachment

Threaded Insert Material	Zinc
Threaded Insert Plating Material	Clear Chromate
Panel Mount Feature	Without
PCB Mount Retention	With
PCB Mount Retention Type	Boardlock
Mating Retention	With
Mating Retention Type	Threaded Inserts
Connector Mounting Type	Board Mount
Boardlock Plating Material	Tin over Nickel
Boardlock Material	Copper Alloy
	.125 in

Housing Features

Centerline (Pitch)	2.74 mm [.108 in]
Housing Material	Thermoplastic



Housing Color	Black
---------------	-------

Dimensions

Row-to-Row Spacing	2.84 mm[.112 in]
--------------------	------------------

PCB Thickness (Recommended)	1.57 mm[.062 in]
-----------------------------	------------------

Usage Conditions

High Temperature Housing	Yes
--------------------------	-----

Operating Temperature Range	-55 – 105 °C[-67 – 221 °F]
-----------------------------	----------------------------

Operation/Application

Circuit Application	Signal
---------------------	--------

Industry Standards

UL Flammability Rating	UL 94V-0
------------------------	----------

Packaging Features

Packaging Method	Tray
------------------	------

Packaging Quantity	130
--------------------	-----

Product Compliance

[For compliance documentation, visit the product page on TE.com>](#)

EU RoHS Directive 2011/65/EU	Compliant
------------------------------	-----------

EU ELV Directive 2000/53/EC	Not Compliant
-----------------------------	---------------

China RoHS 2 Directive MIIT Order No 32, 2016	No Restricted Materials Above Threshold
---	---

EU REACH Regulation (EC) No. 1907/2006	Current ECHA Candidate List: JAN 2021 (211) Candidate List Declared Against: JAN 2021 (211) Does not contain REACH SVHC
--	---

Halogen Content	Not Low Halogen - contains Br or Cl > 900 ppm.
-----------------	--

Solder Process Capability	Wave solder capable to 265°C
---------------------------	------------------------------

Product Compliance Disclaimer

This information is provided based on reasonable inquiry of our suppliers and represents our current actual knowledge based on the information they provided. This information is subject to change. The part numbers that TE has identified as EU RoHS compliant have a maximum concentration of 0.1% by weight in homogenous materials for lead, hexavalent chromium, mercury, PBB, PBDE, DBP, BBP, DEHP, DIBP, and 0.01% for cadmium, or qualify for an exemption to these limits as defined in the Annexes of Directive 2011/65/EU (RoHS2). Finished electrical and electronic equipment products will be CE marked as required by Directive 2011/65/EU. Components may not be CE marked. Additionally, the part numbers that TE has identified as EU ELV compliant have a maximum concentration of 0.1% by weight in homogenous materials for lead, hexavalent chromium, and mercury, and 0.01% for cadmium, or qualify for an exemption to these limits as defined in the Annexes of Directive 2000/53/EC (ELV). Regarding the REACH Regulation, the information TE provides

on SVHC in articles for this part number is based on the latest European Chemicals Agency (ECHA) 'Guidance on requirements for substances in articles' posted at this URL: <https://echa.europa.eu/guidance-documents/guidance-on-reach>

Compatible Parts



TE Part # CAT-AM7-248H3
IDC D-Sub: Plug Assembly, Wire to Wire, Signal, 2.77 mm



TE Part # CAT-AM7-H3
IDC D-Sub: Plug Assembly, Low Profile, Signal, 2.77 mm



TE Part # CAT-AM7-248H4
IDC D-Sub: Connector Kit, Plug, Wire to Wire, Signal, 2.77 mm

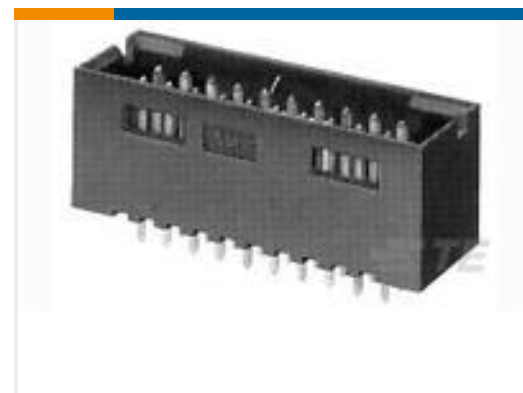


TE Part # 206509-1
SIZE 20 KEYING PLUG

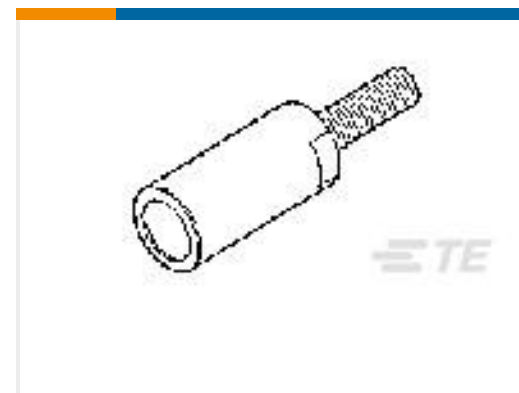
Customers Also Bought



TE Part #0462-209-16141
DEUTSCH SOLID CONTACTS



TE Part #103169-1
06 MODII HDR DRST SHRD .100CL



TE Part #192129-1
4MM 10B1S1/4-X 10-32



TE Part #W6P
DEUTSCH DT WEDGELOCKS



TE Part #114017-ZZ
DEUTSCH SEALING PLUGS



TE Part #1-480698-0
02P UMNL PLUG HSG NATL



TE Part #1-480705-1
06P UMNL CAP HSG BRN

Documents

Product Drawings

9P RA HTMSFL 318 RCPT

English

CAD Files

3D PDF

English

Customer View Model

ENG_CVM_6-788796-7_C.2d_dxf.zip

English

Customer View Model

ENG_CVM_6-788796-7_C.3d_igs.zip



English

Customer View Model

[ENG_CVM_6-788796-7_C.3d_stp.zip](#)

English

By downloading the CAD file I accept and agree to the [Terms and Conditions](#) of use.

Product Specifications

[Application Specification](#)

English

Agency Approvals

[UL Report](#)

English