

6-338171-2 ✓ ACTIVE

AMPLIMITE | AMPLIMITE HDP

TE Internal #: 6-338171-2

AMPLIMITE HDP, PCB D-Sub Connectors, Plug, Cable-to-Board, 37

Position, 2.74mm [.108in] Centerline, 2 Row, Row-to-Row Spacing

2.54 mm [.1 in]

[View on TE.com >](#)



[Connectors >](#) [D-Shaped Connectors >](#) [D-Sub Connectors >](#) [PCB D-Sub Connectors >](#)

[D-Sub Plug Assembly: Standard, Right Angle, Shell Size 4, 2.74mm](#)



Connector & Housing Type: **Plug**

Connector System: **Cable-to-Board**

Number of Positions: **37**

Centerline (Pitch): **2.74 mm [.108 in]**

Number of Rows: **2**

[All D-Sub Plug Assembly: Standard, Right Angle, Shell Size 4, 2.74mm \(21\)](#)

Features

Product Type Features

Grounding Indents	Without
Grounded	No
Grounding Straps	Without
Footprint	10.31 mm[.406 in]
Shell Type	Front Metal Shell
Connector & Housing Type	Plug
Connector System	Cable-to-Board
D-Sub Shell Size	4
Sealable	No
Connector & Contact Terminates To	Printed Circuit Board
Shielded	No
Product Type	Connector

Configuration Features

Performance Level	Level 2
Number of Positions	37
Number of Rows	2



PCB Mount Orientation	Right Angle
Preloaded	Yes
Body Features	
Plastic	No
Connector Profile	Standard
Color	Black
Shell Plating Material	Tin
Shell Material	Steel
Contact Features	
Contact Mating Area Plating Material	Gold
Contact Underplating Material	Nickel
PCB Contact Termination Area Plating Material	Tin
Contact Base Material	Phosphor Bronze
Contact Shape & Form	Round
Contact Current Rating (Max)	6 A
	30 μ m
Termination Features	
Grounding Clips	Without
Termination Method to Printed Circuit Board	Through Hole - Solder
Termination Post Length	3.2 mm [.126 in]
Mechanical Attachment	
Panel Mount Feature	Without
PCB Mount Retention	With
PCB Mount Retention Type	Mounting Hole
Mating Retention	With
Mating Retention Type	Threaded Insert, 4-40 UNC
Connector Mounting Type	Board Mount
Boardlock Plating Material	Tin
Mounting Hole Diameter	5 mm
Boardlock Material	Phosphor Bronze
Housing Features	
Centerline (Pitch)	2.74 mm [.108 in]



Housing Material	Glass Filled Polyester
------------------	------------------------

Housing Color	Black
---------------	-------

Dimensions

Row-to-Row Spacing	2.54 mm [.1 in]
--------------------	-----------------

PCB Thickness (Recommended)	1.57 mm [.062 in]
-----------------------------	-------------------

Usage Conditions

Operating Temperature Range	-55 – 105 °C [-67 – 221 °F]
-----------------------------	-----------------------------

Operation/Application

Circuit Application	Signal
---------------------	--------

Industry Standards

Approved Standards	DIN 41652
--------------------	-----------

UL Flammability Rating	UL 94V-0
------------------------	----------

Packaging Features

Packaging Method	Tray
------------------	------

Packaging Quantity	25
--------------------	----

Other

Installation Height	7.3 mm
---------------------	--------

Product Compliance

[For compliance documentation, visit the product page on TE.com>](#)

EU RoHS Directive 2011/65/EU	Compliant with Exemptions
------------------------------	---------------------------

EU ELV Directive 2000/53/EC	Compliant with Exemptions
-----------------------------	---------------------------

China RoHS 2 Directive MIIT Order No 32, 2016	Restricted Materials Above Threshold
---	--------------------------------------

EU REACH Regulation (EC) No. 1907/2006	<p>Current ECHA Candidate List: JAN 2021 (211)</p> <p>Candidate List Declared Against: JAN 2021 (211)</p> <p>SVHC > Threshold:</p> <p>Pb (.35% in Component part)</p>
--	--

Article Safe Usage Statements:

Do not eat, drink or smoke when using this product. Wash thoroughly after handling. Recycle if possible and dispose of the article by following all applicable governmental regulations relevant to your geographic location.

Halogen Content	Not Low Halogen - contains Br or Cl > 900 ppm.
-----------------	--

Solder Process Capability	Wave solder capable to 265°C
---------------------------	------------------------------

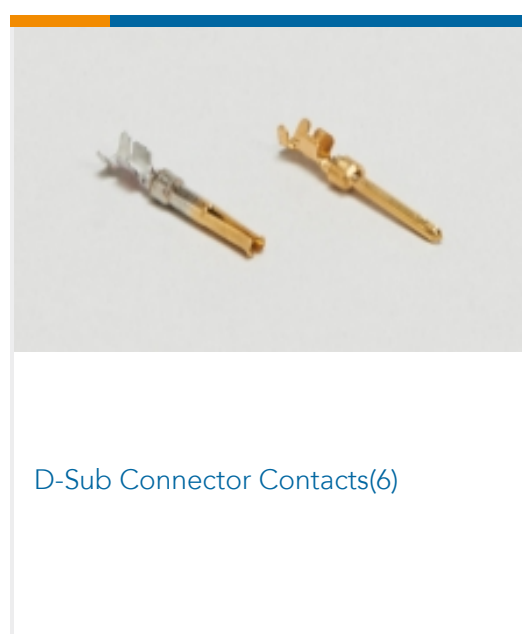
Product Compliance Disclaimer

This information is provided based on reasonable inquiry of our suppliers and represents our current actual knowledge based on the information they provided. This information is subject to change. The part numbers that TE has identified as EU RoHS compliant have a maximum concentration of 0.1% by weight in homogenous materials for lead, hexavalent chromium, mercury, PBB, PBDE, DBP, BBP, DEHP, DIBP, and 0.01% for cadmium, or qualify for an exemption to these limits as defined in the Annexes of Directive 2011/65/EU (RoHS2). Finished electrical and electronic equipment products will be CE marked as required by Directive 2011/65/EU. Components may not be CE marked. Additionally, the part numbers that TE has identified as EU ELV compliant have a maximum concentration of 0.1% by weight in homogenous materials for lead, hexavalent chromium, and mercury, and 0.01% for cadmium, or qualify for an exemption to these limits as defined in the Annexes of Directive 2000/53/EC (ELV). Regarding the REACH Regulation, the information TE provides on SVHC in articles for this part number is based on the latest European Chemicals Agency (ECHA) 'Guidance on requirements for substances in articles' posted at this URL: <https://echa.europa.eu/guidance-documents/guidance-on-reach>

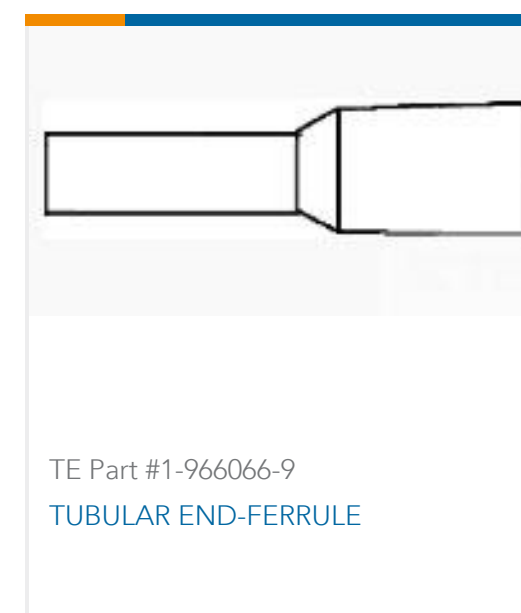
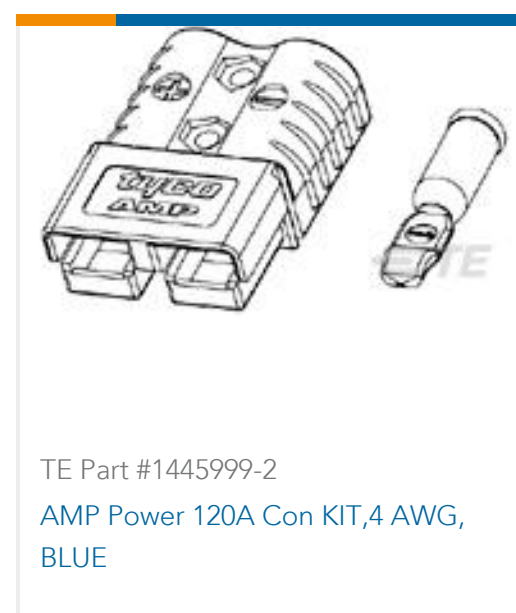
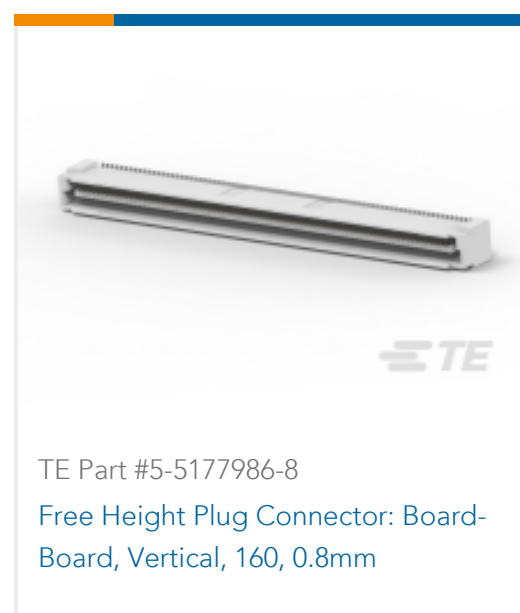
Compatible Parts



Also in the Series | AMPLIMITE HDP



Customers Also Bought





Documents

Product Drawings

37P. HDP20 PLUG ASS

English

CAD Files

3D PDF

3D

Customer View Model

[ENG_CVM_CVM_6-338171-2_H.2d_dxf.zip](#)

English

Customer View Model

[ENG_CVM_CVM_6-338171-2_H.3d_igs.zip](#)

English

Customer View Model

[ENG_CVM_CVM_6-338171-2_H.3d_stp.zip](#)

English

By downloading the CAD file I accept and agree to the [Terms and Conditions](#) of use.

Datasheets & Catalog Pages

AMPLIMITE Subminiature D Connectors - Right-Angle Posted Connectors

English