

5747844-4 ✓ ACTIVE

AMPLIMITE

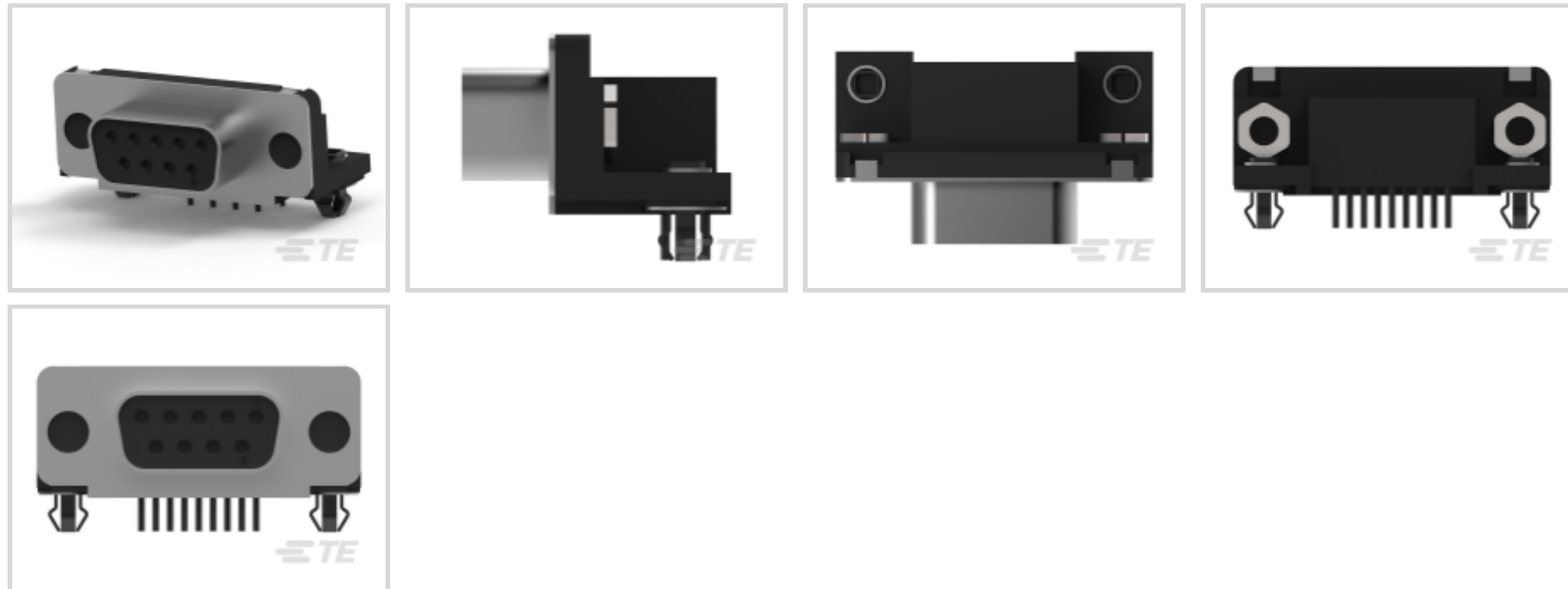
TE Internal #: 5747844-4

PCB D-Sub Connectors, Receptacle, Board-to-Board, 9 Position,  
2.74mm [.108in] Centerline, 2 Row, Row-to-Row Spacing 2.84 mm [.112 in]

[View on TE.com >](#)



Connectors > D-Shaped Connectors > D-Sub Connectors > PCB D-Sub Connectors > D-Sub Receptacle Assembly: Right Angle, Shell Size 1, 2.74mm



Connector & Housing Type: Receptacle

Connector System: Board-to-Board

Number of Positions: 9

Centerline (Pitch): 2.74 mm [.108 in]

Number of Rows: 2

[All D-Sub Receptacle Assembly: Right Angle, Shell Size 1, 2.74mm \(77\)](#)

## Features

### Product Type Features

Grounding Indents	Without
Grounded	No
Grounding Straps	With
Footprint	8.08 mm[.318 in]
Shell Type	Front Metal Shell
Connector & Housing Type	Receptacle
Connector System	Board-to-Board
D-Sub Shell Size	1
Sealable	No
Connector & Contact Terminates To	Printed Circuit Board
Product Type	Connector

### Configuration Features

Number of Positions	9
---------------------	---



Number of Rows	2
PCB Mount Orientation	Right Angle
Preloaded	Yes

#### Body Features

Eyelet Material	Brass
Eyelet Plating Material	Tin
Plastic	No
Insert Material	Zinc
Connector Profile	Standard
Shell Plating Material	Tin
Shell Material	Steel
Post Size	.66 mm[.026 in]

#### Contact Features

Contact Mating Area Plating Material	Gold
PCB Contact Termination Area Plating Material	Tin
Contact Base Material	Phosphor Bronze
Contact Shape & Form	Round
Contact Current Rating (Max)	6 A
	30 $\mu$ in

#### Termination Features

Grounding Clips	Without
Termination Method to Printed Circuit Board	Through Hole - Solder
Termination Post Length	3.18 mm[.125 in]

#### Mechanical Attachment

Threaded Insert Material	Zinc
Threaded Insert Plating Material	Clear Chromate
PCB Mount Alignment	With
Panel Mount Feature	Without
PCB Mount Retention	With
PCB Mount Retention Type	Boardlock
Mating Retention	With
Mating Retention Type	Threaded Insert



Connector Mounting Type	Board Mount
Boardlock Plating Material	Tin
Boardlock Material	Copper Alloy
Mounting Hole Diameter	3.18 mm[.125 in]

### Housing Features

Centerline (Pitch)	2.74 mm[.108 in]
Housing Material	Thermoplastic
Housing Color	Black

### Dimensions

Row-to-Row Spacing	2.84 mm[.112 in]
PCB Thickness (Recommended)	1.58 mm[.062 in]

### Usage Conditions

Operating Temperature Range	-55 – 105 °C[-67 – 221 °F]
-----------------------------	----------------------------

### Operation/Application

Circuit Application	Signal
---------------------	--------

### Industry Standards

UL Flammability Rating	UL 94V-0
------------------------	----------

### Packaging Features

Packaging Method	Tray
Packaging Quantity	130

### Other

Comment	All receptacles are preloaded with size 20 DF posted socket contacts
---------	--

### Product Compliance

[For compliance documentation, visit the product page on TE.com>](#)

EU RoHS Directive 2011/65/EU	Compliant
EU ELV Directive 2000/53/EC	Compliant
China RoHS 2 Directive MIIT Order No 32, 2016	No Restricted Materials Above Threshold
EU REACH Regulation (EC) No. 1907/2006	Current ECHA Candidate List: JAN 2021 (211) Candidate List Declared Against: JAN 2021 (211) Does not contain REACH SVHC

Halogen Content Not Low Halogen - contains Br or Cl > 900 ppm.

Solder Process Capability Wave solder capable to 265°C

**Product Compliance Disclaimer**

This information is provided based on reasonable inquiry of our suppliers and represents our current actual knowledge based on the information they provided. This information is subject to change. The part numbers that TE has identified as EU RoHS compliant have a maximum concentration of 0.1% by weight in homogenous materials for lead, hexavalent chromium, mercury, PBB, PBDE, DBP, BBP, DEHP, DIBP, and 0.01% for cadmium, or qualify for an exemption to these limits as defined in the Annexes of Directive 2011/65/EU (RoHS2). Finished electrical and electronic equipment products will be CE marked as required by Directive 2011/65/EU. Components may not be CE marked. Additionally, the part numbers that TE has identified as EU ELV compliant have a maximum concentration of 0.1% by weight in homogenous materials for lead, hexavalent chromium, and mercury, and 0.01% for cadmium, or qualify for an exemption to these limits as defined in the Annexes of Directive 2000/53/EC (ELV). Regarding the REACH Regulation, the information TE provides on SVHC in articles for this part number is based on the latest European Chemicals Agency (ECHA) 'Guidance on requirements for substances in articles' posted at this URL: <https://echa.europa.eu/guidance-documents/guidance-on-reach>

## Compatible Parts



TE Part # CAT-AM7-248H3  
IDC D-Sub: Plug Assembly, Wire to Wire, Signal, 2.77 mm



TE Part # CAT-023-DPARS1274  
D-Sub Plug Assembly: Standard, Right Angle, Shell Size 1, 2.74mm



TE Part # CAT-AM7-H3  
IDC D-Sub: Plug Assembly, Low Profile, Signal, 2.77 mm



TE Part # CAT-AM7-248H4  
IDC D-Sub: Connector Kit, Plug, Wire to Wire, Signal, 2.77 mm



TE Part # CAT-035-DCPPS201  
D-Sub Crimp: Plug, Signal, 9 Posn, Pin Size 20, Shell Size 1



TE Part # 1-1740194-5  
HD-20 RCPT 9P SMT 4-40 THD



TE Part # 206509-1  
SIZE 20 KEYING PLUG

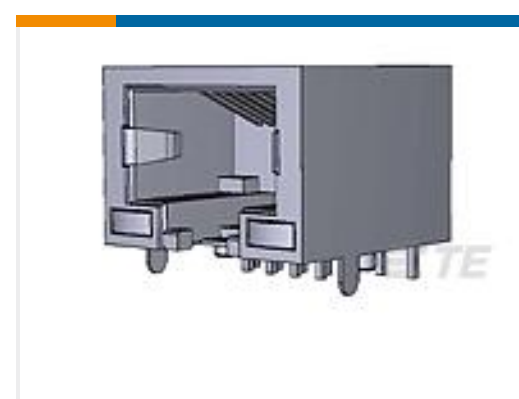
## Customers Also Bought



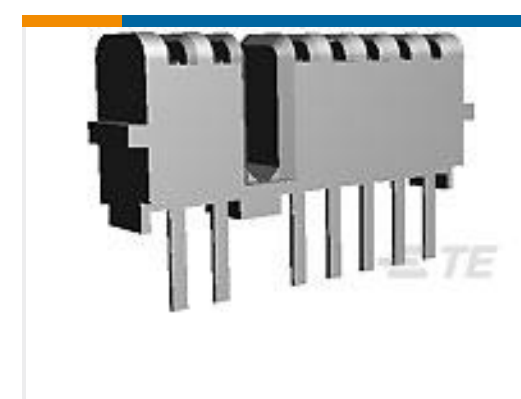
TE Part #1558675-1  
PCB Power Relay: 30 amp, Monostable DC



TE Part #2-5767004-2  
MICTOR RECEPT ASSY, 38 POS.



TE Part #1734324-3  
RJ45,8P8C,w/ Y,G LED,shieled,dip, 30u" Au



TE Part #1827685-3  
2mm pitch Battery Rec. Assy. 7Pos. RVS.



TE Part #8-534206-2  
64 MODII VRT DR CE 100/115



TE Part #103186-3  
06 MODII HDR DRST B/A .100CL



TE Part #1735042-4  
1MM FFC SMT V ASSY 4P EMBOSS



TE Part #2267078-8  
TMD1T5B2M2RE



TE Part #1052324-1  
2051 0000 02



TE Part #20008869-00  
DISC-+/-0.1C FROM 0C TO 70C

## Documents

### Product Drawings

[09 MSFL RCPT RA 318 \(IN,FM,BL\)](#)

English

### CAD Files

Customer View Model

[ENG\\_CVM\\_5747844-4\\_O.2d\\_dxf.zip](#)

English

Customer View Model

[ENG\\_CVM\\_5747844-4\\_O.3d\\_igs.zip](#)

English

Customer View Model

[ENG\\_CVM\\_5747844-4\\_O.3d\\_stp.zip](#)

English

### 3D PDF

English

By downloading the CAD file I accept and agree to the [Terms and Conditions](#) of use.

### Datasheets & Catalog Pages

[AMPLIMITE Subminiature D Connectors - Right-Angle Posted Connectors](#)

English

### Product Specifications

[Application Specification](#)

English

### Product Environmental Compliance

[MD\\_5747844-4\\_06052018716\\_dmtec](#)

5747844-4

PCB D-Sub Connectors, Receptacle, Board-to-Board, 9 Position, 2.74mm [.108in]  
Centerline, 2 Row, Row-to-Row Spacing 2.84 mm [.112 in]



English

[MD\\_5747844-4\\_06052018716\\_dmtec](#)

English

---

[Instruction Sheets](#)

[Instruction Sheet \(U.S.\)](#)

English