

5745988-4 ✓ ACTIVE

AMPLIMITE

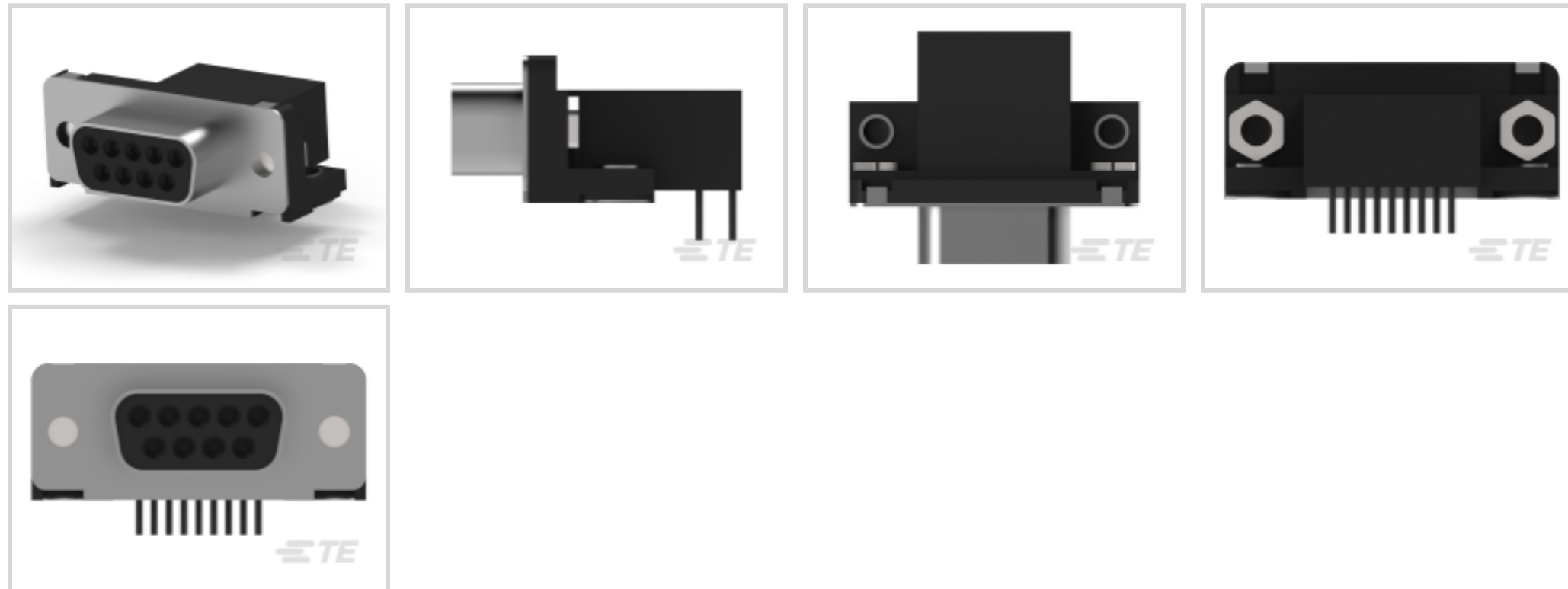
TE Internal #: 5745988-4

PCB D-Sub Connectors, Receptacle, Board-to-Board, 9 Position, 2.74mm [.108in] Centerline, 2 Row, Row-to-Row Spacing 2.84 mm [.112 in]

[View on TE.com >](#)



Connectors > D-Shaped Connectors > D-Sub Connectors > PCB D-Sub Connectors > D-Sub Receptacle Assembly: Right Angle, Shell Size 1, 2.74mm



Connector & Housing Type: **Receptacle**

Connector System: **Board-to-Board**

Number of Positions: **9**

Centerline (Pitch): **2.74 mm [.108 in]**

Number of Rows: **2**

[All D-Sub Receptacle Assembly: Right Angle, Shell Size 1, 2.74mm \(77\)](#)

Features

Product Type Features

Grounding Indents	Without
Grounded	No
Grounding Straps	With
Footprint	14.99 mm[.59 in]
Shell Type	Front Metal Shell
Connector & Housing Type	Receptacle
Connector System	Board-to-Board
D-Sub Shell Size	1
Sealable	No
Connector & Contact Terminates To	Printed Circuit Board
Product Type	Connector

Configuration Features

Number of Positions	9
---------------------	---



Number of Rows	2
PCB Mount Orientation	Right Angle
Preloaded	Yes

Body Features

Eyelet Material	Brass
Eyelet Plating Material	Tin
Plastic	No
Insert Material	Zinc
Connector Profile	Standard
Shell Plating Material	Tin
Shell Material	Steel
Post Size	.66 mm [.026 in]

Contact Features

Contact Mating Area Plating Material	Gold
Contact Underplating Material	Nickel
PCB Contact Termination Area Plating Material	Tin
Contact Base Material	Phosphor Bronze
Contact Shape & Form	Round
Contact Current Rating (Max)	6 A
	30 μ m

Termination Features

Grounding Clips	Without
Termination Method to Printed Circuit Board	Through Hole - Solder
Termination Post Length	3.18 mm [.125 in]

Mechanical Attachment

Threaded Insert Material	Zinc
Threaded Insert Plating Material	Clear Chromate
Panel Mount Feature	Without
PCB Mount Retention	With
PCB Mount Retention Type	Mounting Hole
Mating Retention	With
Mating Retention Type	Threaded Inserts



Connector Mounting Type	Board Mount
-------------------------	-------------

Mounting Hole Diameter	3.18 mm[.125 in]
------------------------	------------------

Housing Features

Centerline (Pitch)	2.74 mm[.108 in]
--------------------	------------------

Housing Material	Thermoplastic
------------------	---------------

Housing Color	Black
---------------	-------

Dimensions

Row-to-Row Spacing	2.84 mm[.112 in]
--------------------	------------------

PCB Thickness (Recommended)	2.36 mm[.093 in]
-----------------------------	------------------

Usage Conditions

Operating Temperature Range	-55 – 105 °C[-67 – 221 °F]
-----------------------------	----------------------------

Operation/Application

Circuit Application	Signal
---------------------	--------

Industry Standards

UL Flammability Rating	UL 94V-0
------------------------	----------

Packaging Features

Packaging Method	Tray
------------------	------

Packaging Quantity	140
--------------------	-----

Other

Comment	All receptacles are preloaded with size 20 DF posted socket contacts
---------	--

Product Compliance

[For compliance documentation, visit the product page on TE.com>](#)

EU RoHS Directive 2011/65/EU	Compliant
------------------------------	-----------

EU ELV Directive 2000/53/EC	Compliant
-----------------------------	-----------

China RoHS 2 Directive MIIT Order No 32, 2016	No Restricted Materials Above Threshold
---	---

EU REACH Regulation (EC) No. 1907/2006	Current ECHA Candidate List: JAN 2021 (211) Candidate List Declared Against: JAN 2021 (211) Does not contain REACH SVHC
--	---

Halogen Content	Not Low Halogen - contains Br or Cl > 900 ppm.
-----------------	--



Solder Process Capability

Wave solder capable to 265°C

Product Compliance Disclaimer

This information is provided based on reasonable inquiry of our suppliers and represents our current actual knowledge based on the information they provided. This information is subject to change. The part numbers that TE has identified as EU RoHS compliant have a maximum concentration of 0.1% by weight in homogenous materials for lead, hexavalent chromium, mercury, PBB, PBDE, DBP, BBP, DEHP, DIBP, and 0.01% for cadmium, or qualify for an exemption to these limits as defined in the Annexes of Directive 2011/65/EU (RoHS2). Finished electrical and electronic equipment products will be CE marked as required by Directive 2011/65/EU. Components may not be CE marked. Additionally, the part numbers that TE has identified as EU ELV compliant have a maximum concentration of 0.1% by weight in homogenous materials for lead, hexavalent chromium, and mercury, and 0.01% for cadmium, or qualify for an exemption to these limits as defined in the Annexes of Directive 2000/53/EC (ELV). Regarding the REACH Regulation, the information TE provides on SVHC in articles for this part number is based on the latest European Chemicals Agency (ECHA) 'Guidance on requirements for substances in articles' posted at this URL: <https://echa.europa.eu/guidance-documents/guidance-on-reach>

Compatible Parts



TE Part # CAT-AM7-248H3
IDC D-Sub: Plug Assembly, Wire to Wire, Signal, 2.77 mm



TE Part # CAT-AM7-H3
IDC D-Sub: Plug Assembly, Low Profile, Signal, 2.77 mm

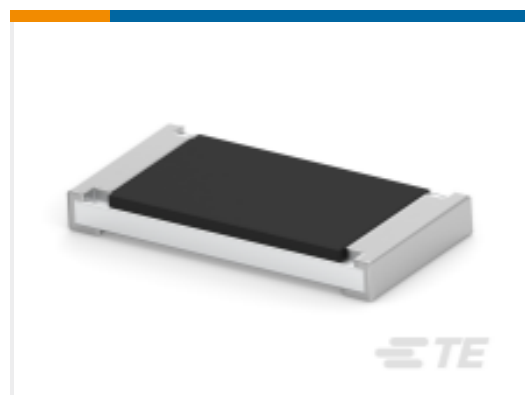


TE Part # CAT-AM7-248H4
IDC D-Sub: Connector Kit, Plug, Wire to Wire, Signal, 2.77 mm



TE Part # 206509-1
SIZE 20 KEYING PLUG

Customers Also Bought



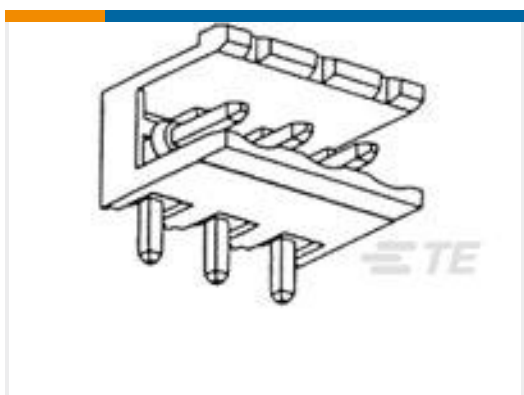
TE Part #2-1622825-6
Thick Film Resistor: Current Sense



TE Part #102156-4
AMP-LATCH UNIVERSAL HEADERS



TE Part #1879208-8
CPF 0402 20R 0.1% 25PPM 1K RL



TE Part #282814-2
TERMI-BLOK HEADER, ASSY90 2P.5



TE Part #103166-1
06 MODII HDR DRRR SHRDR .100CL



TE Part #207490-1
CABLE GRIPPER, SIZE 11



TE Part #104361-3
04 MTE HDR SRRR LATCH W/HLDWN



TE Part #1879336-6
CPF 0603 261R 1% 50PPM 1K RL



Documents

Product Drawings

[09 MSFL RCPT RA 590 \(IN,FM\)](#)

English

CAD Files

[3D PDF](#)

English

Customer View Model

[ENG_CVM_5745988-4_O.2d_dxf.zip](#)

English

Customer View Model

[ENG_CVM_5745988-4_O.3d_igs.zip](#)

English

Customer View Model

[ENG_CVM_5745988-4_O.3d_stp.zip](#)

English

By downloading the CAD file I accept and agree to the [Terms and Conditions](#) of use.

Datasheets & Catalog Pages

[AMPLIMITE Subminiature D Connectors - Right-Angle Posted Connectors](#)

English

Product Specifications

[Application Specification](#)

English

Product Environmental Compliance

[MD_5745988-4_06012018527_dmtec](#)

English

[MD_5745988-4_06012018527_dmtec](#)

English

Instruction Sheets

[Instruction Sheet \(U.S.\)](#)

English

Agency Approvals



[UL Report](#)

English