

5205866-1 ✓ ACTIVE

AMPLIMITE | AMPLIMITE HDP

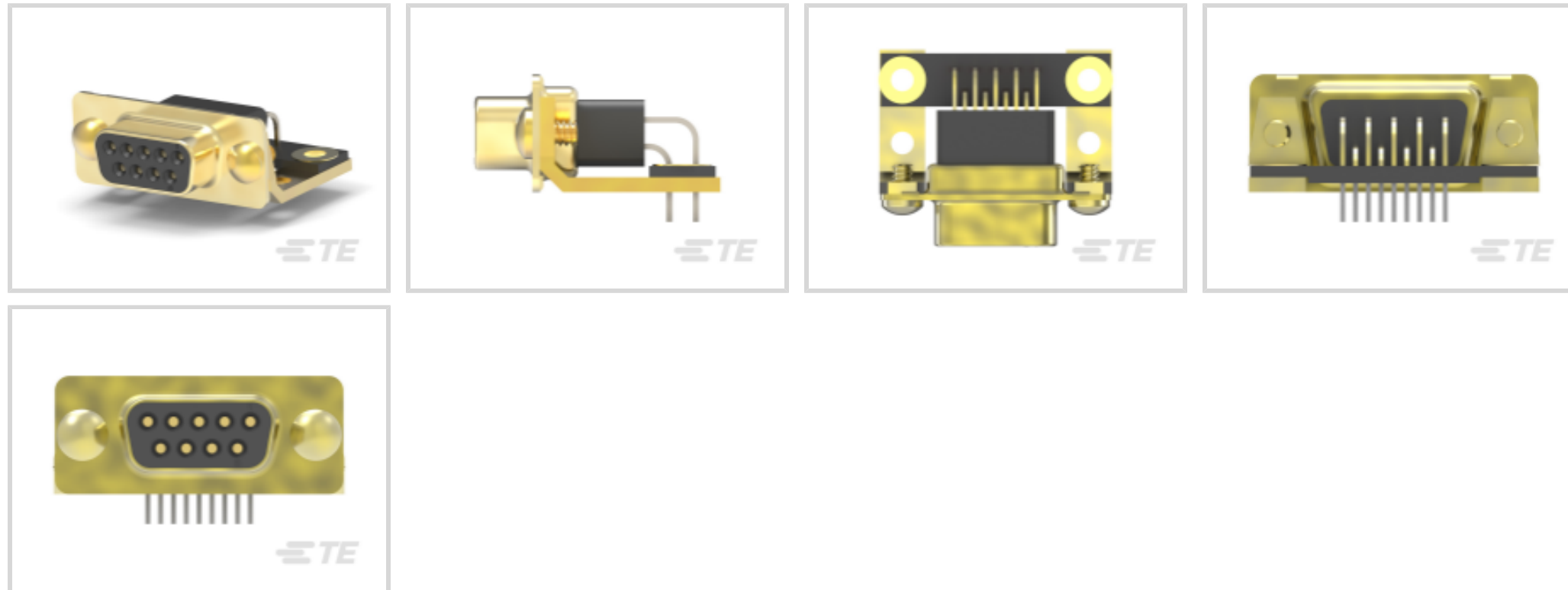
TE Internal #: 5205866-1

AMPLIMITE HDP, PCB D-Sub Connectors, Receptacle, Board-to-Board, 9 Position, 2.74mm [.108in] Centerline, 2 Row, Row-to-Row Spacing 2.84 mm [.112 in]

[View on TE.com >](#)



Connectors > D-Shaped Connectors > D-Sub Connectors > PCB D-Sub Connectors > D-Sub Receptacle Assembly: Right Angle, Shell Size 1, 2.74mm



Connector & Housing Type: **Receptacle**

Connector System: **Board-to-Board**

Number of Positions: **9**

Centerline (Pitch): **2.74 mm [.108 in]**

Number of Rows: **2**

[All D-Sub Receptacle Assembly: Right Angle, Shell Size 1, 2.74mm \(77\)](#)

Features

Product Type Features

Grounding Indents	Without
Grounding Straps	Without
Footprint	13.84 mm[.545 in]
Shell Type	Front Metal Shell
Connector & Housing Type	Receptacle
Connector System	Board-to-Board
D-Sub Shell Size	1
Sealable	No
Connector & Contact Terminates To	Printed Circuit Board
Product Type	Connector

Configuration Features

Number of Positions	9
Number of Rows	2



PCB Mount Orientation	Right Angle
Preloaded	Yes

Body Features

Plastic	No
Connector Profile	Standard
Shell Material	Steel
Shell Plating Material	Zinc
Post Size	.64 mm[.025 in]

Contact Features

Contact Mating Area Plating Material	Gold Flash
Contact Underplating Material	Nickel
PCB Contact Termination Area Plating Material	Tin
Contact Base Material	Phosphor Bronze
Contact Shape & Form	Square
Contact Current Rating (Max)	6 A

Termination Features

Grounding Clips	Without
Termination Method to Printed Circuit Board	Through Hole - Solder
Termination Post Length	3.18 mm[.125 in]

Mechanical Attachment

Panel Mount Feature	Without
PCB Mount Retention	With
PCB Mount Retention Type	Mounting Hole
Mating Retention	Without
Connector Mounting Type	Board Mount
Mounting Hole Diameter	3.05 mm[.12 in]

Housing Features

Centerline (Pitch)	2.74 mm[.108 in]
Housing Material	Glass-Filled Nylon, Glass-Filled PBT
Housing Color	Black

Dimensions

Row-to-Row Spacing	2.84 mm[.112 in]
--------------------	------------------



PCB Thickness (Recommended)	2.36 mm[.093 in]
-----------------------------	------------------

Usage Conditions

Operating Temperature Range	-55 – 105 °C[-67 – 221 °F]
-----------------------------	----------------------------

Operation/Application

Circuit Application	Signal
---------------------	--------

Industry Standards

UL Flammability Rating	UL 94V-0
------------------------	----------

Packaging Features

Packaging Method	Package
Packaging Quantity	140

Product Compliance

[For compliance documentation, visit the product page on TE.com>](#)

EU RoHS Directive 2011/65/EU	Compliant
EU ELV Directive 2000/53/EC	Compliant
China RoHS 2 Directive MIIT Order No 32, 2016	No Restricted Materials Above Threshold
EU REACH Regulation (EC) No. 1907/2006	Current ECHA Candidate List: JAN 2021 (211) Candidate List Declared Against: DEC 2012 (138) SVHC > Threshold: Not Yet Reviewed
Halogen Content	Not Yet Reviewed for halogen content
Solder Process Capability	Wave solder capable to 265°C

Product Compliance Disclaimer

This information is provided based on reasonable inquiry of our suppliers and represents our current actual knowledge based on the information they provided. This information is subject to change. The part numbers that TE has identified as EU RoHS compliant have a maximum concentration of 0.1% by weight in homogenous materials for lead, hexavalent chromium, mercury, PBB, PBDE, DBP, BBP, DEHP, DIBP, and 0.01% for cadmium, or qualify for an exemption to these limits as defined in the Annexes of Directive 2011/65/EU (RoHS2). Finished electrical and electronic equipment products will be CE marked as required by Directive 2011/65/EU. Components may not be CE marked. Additionally, the part numbers that TE has identified as EU ELV compliant have a maximum concentration of 0.1% by weight in homogenous materials for lead, hexavalent chromium, and mercury, and 0.01% for cadmium, or qualify for an exemption to these limits as defined in the Annexes of Directive 2000/53/EC (ELV). Regarding the REACH Regulation, the information TE provides on SVHC in articles for this part number is based on the latest European Chemicals Agency (ECHA) 'Guidance on requirements for substances in articles' posted at this URL: <https://echa.europa.eu/guidance-documents/guidance-on-reach>

Compatible Parts




TE Part # CAT-AM7-248H4
IDC D-Sub: Connector Kit, Plug, Wire to Wire, Signal, 2.77 mm




TE Part # CAT-AM7-248H3
IDC D-Sub: Plug Assembly, Wire to Wire, Signal, 2.77 mm



TE Part # 206509-1
SIZE 20 KEYING PLUG

Also in the Series | **AMPLIMITE HDP**



D-Sub Connector Contacts(6)



PCB D-Sub Connectors(88)

Customers Also Bought



TE Part #1218434-3
R/A RCP ASSY 25 POS SER 109



TE Part #103309-5
020 LOPRO HDR SP 30DP



TE Part #2134536-2
MICRO USB, TYPE A/B, GRAY



TE Part #102154-5
AMP-LATCH UNIVERSAL HEADERS



TE Part #104313-5
026 LOPRO HDR SP 30DP LATCH



TE Part #2-1625876-1
CBT 1/2 5% 4R7



TE Part #YDTS20W11-02SAV001
D38999: Square Flange, 11-02 insert



TE Part #1571220-2
SWITCH,TACT,12X12,SEALD,W/POST



TE Part #1-6450850-7
MBXLE VERT RCPT 1P + 8S + 1P



TE Part #104550-4
30 SYS50 SURFMNT DRST RCPT



Documents

Product Drawings

09 RCPT RA/MS STD

English

CAD Files

3D PDF

3D

Customer View Model

[ENG_CVM_CVM_5205866-1_O.2d_dxf.zip](#)

English

Customer View Model

[ENG_CVM_CVM_5205866-1_O.3d_igs.zip](#)

English

Customer View Model

[ENG_CVM_CVM_5205866-1_O.3d_stp.zip](#)

English

By downloading the CAD file I accept and agree to the [Terms and Conditions](#) of use.

Product Specifications

Application Specification

English

Agency Approvals

UL Report

English