

5205865-1 ✓ ACTIVE

AMPLIMITE | AMPLIMITE HDP

TE Internal #: 5205865-1

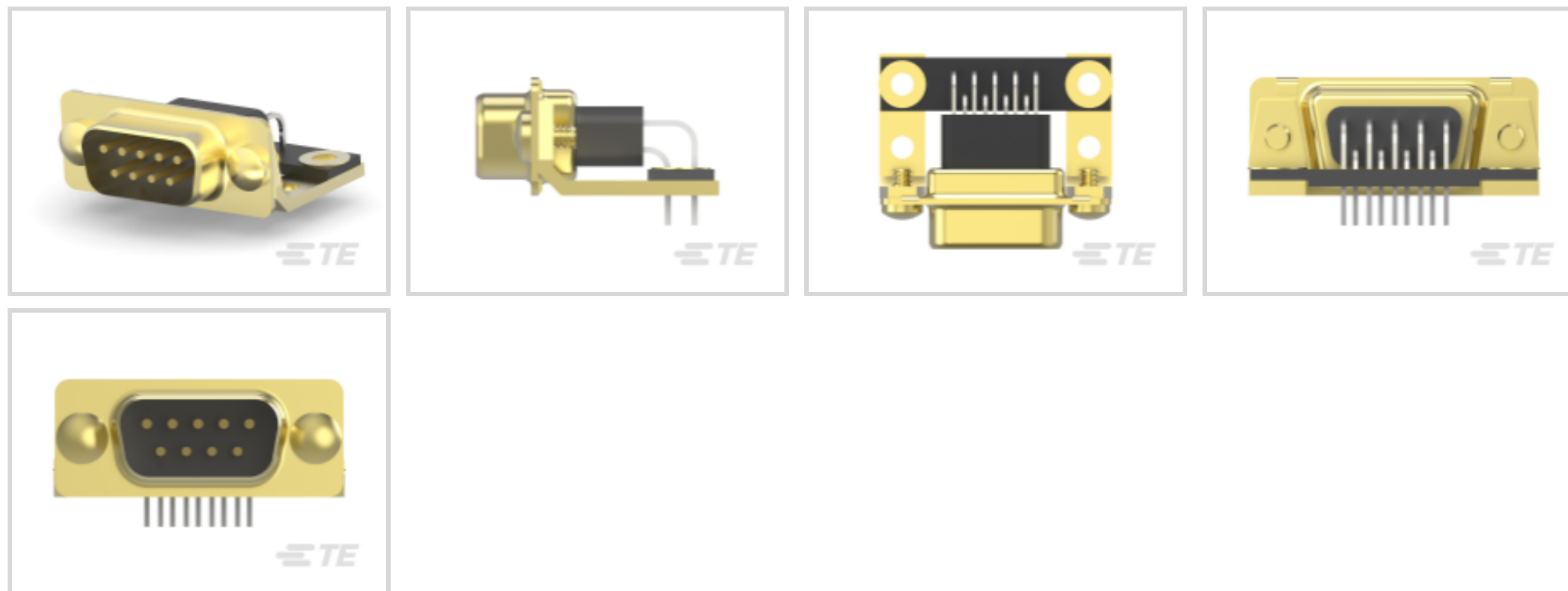
AMPLIMITE HDP, PCB D-Sub Connectors, Plug, Board-to-Board, 9
Position, 2.74mm [.108in] Centerline, 2 Row, Row-to-Row Spacing
2.84 mm [.112 in]

[View on TE.com >](#)



Connectors > D-Shaped Connectors > D-Sub Connectors > PCB D-Sub Connectors >

D-Sub Plug Assembly: Standard, Right Angle, Shell Size 1, 2.74mm



Connector & Housing Type: **Plug**

Connector System: **Board-to-Board**

Number of Positions: **9**

Centerline (Pitch): **2.74 mm [.108 in]**

Number of Rows: **2**

[All D-Sub Plug Assembly: Standard, Right Angle, Shell Size 1, 2.74mm \(53\)](#)

Features

Product Type Features

Grounding Indents	Without
Grounding Straps	Without
Footprint	13.84 mm[.545 in]
Shell Type	Front Metal Shell
Connector & Housing Type	Plug
Connector System	Board-to-Board
D-Sub Shell Size	1
Sealable	No
Connector & Contact Terminates To	Printed Circuit Board
Product Type	Connector

Configuration Features

Number of Positions	9
---------------------	---



Number of Rows	2
PCB Mount Orientation	Right Angle
Preloaded	Yes

Body Features

Plastic	No
Connector Profile	Standard
Shell Material	Steel
Shell Plating Material	Zinc
Post Size	.64 mm[.025 in]

Contact Features

Contact Mating Area Plating Material	Gold Flash
Contact Underplating Material	Nickel
PCB Contact Termination Area Plating Material	Tin
Contact Base Material	Brass
Contact Shape & Form	Square
Contact Current Rating (Max)	6 A

Termination Features

Grounding Clips	Without
Termination Method to Printed Circuit Board	Through Hole - Solder
Termination Post Length	3.18 mm[.125 in]

Mechanical Attachment

Panel Mount Feature	Without
PCB Mount Retention	With
PCB Mount Retention Type	Mounting Hole
Mating Retention	Without
Connector Mounting Type	Board Mount
Mounting Hole Diameter	3.05 mm[.12 in]

Housing Features

Centerline (Pitch)	2.74 mm[.108 in]
Housing Material	Glass-Filled Nylon, Glass-Filled PBT
Housing Color	Black

Dimensions



Row-to-Row Spacing	2.84 mm[.112 in]
--------------------	------------------

PCB Thickness (Recommended)	2.36 mm[.093 in]
-----------------------------	------------------

Usage Conditions

Operating Temperature Range	-55 – 105 °C[-67 – 221 °F]
-----------------------------	----------------------------

Operation/Application

Circuit Application	Signal
---------------------	--------

Industry Standards

UL Flammability Rating	UL 94V-0
------------------------	----------

Packaging Features

Packaging Method	Package
------------------	---------

Packaging Quantity	140
--------------------	-----

Product Compliance

[For compliance documentation, visit the product page on TE.com>](#)

EU RoHS Directive 2011/65/EU	Compliant
------------------------------	-----------

EU ELV Directive 2000/53/EC	Compliant
-----------------------------	-----------

China RoHS 2 Directive MIIT Order No 32, 2016	No Restricted Materials Above Threshold
---	---

EU REACH Regulation (EC) No. 1907/2006	Current ECHA Candidate List: JAN 2021 (211) Candidate List Declared Against: DEC 2012 (138) SVHC > Threshold: Not Yet Reviewed
--	---

Halogen Content	Not Yet Reviewed for halogen content
-----------------	--------------------------------------

Solder Process Capability	Wave solder capable to 265°C
---------------------------	------------------------------

Product Compliance Disclaimer

This information is provided based on reasonable inquiry of our suppliers and represents our current actual knowledge based on the information they provided. This information is subject to change. The part numbers that TE has identified as EU RoHS compliant have a maximum concentration of 0.1% by weight in homogenous materials for lead, hexavalent chromium, mercury, PBB, PBDE, DBP, BBP, DEHP, DIBP, and 0.01% for cadmium, or qualify for an exemption to these limits as defined in the Annexes of Directive 2011/65/EU (RoHS2). Finished electrical and electronic equipment products will be CE marked as required by Directive 2011/65/EU. Components may not be CE marked. Additionally, the part numbers that TE has identified as EU ELV compliant have a maximum concentration of 0.1% by weight in homogenous materials for lead, hexavalent chromium, and mercury, and 0.01% for cadmium, or qualify for an exemption to these limits as defined in the Annexes of Directive 2000/53/EC (ELV). Regarding the REACH Regulations, TE's information on SVHC in articles for this part number is still based on the European Chemical Agency (ECHA) 'Guidance on requirements for substances in articles' (Version: 2, April 2011), applying the 0.1% weight on weight concentration threshold at the finished product level. TE is aware of the European Court of Justice ruling of September 10th, 2015 also known as O5A (Once An Article Always An Article) stating that, in case of 'complex object', the threshold for a SVHC must be applied to both the



product as a whole and simultaneously to each of the articles forming part of its composition. TE has evaluated this ruling based on the new ECHA "Guidance on requirements for substances in articles" (June 2017, version 4.0) and will be updating its statements accordingly.

Compatible Parts



TE Part # CAT-AM7-248H8
IDC D-Sub: Receptacle Assembly, Wire to Wire, Signal, 2.74 mm



TE Part # CAT-AM7-248H9
IDC D-Sub: Receptacle Kit, Cable to Cable, Signal, 2.77 mm




TE Part # 3-1393483-8
V42254A1115B209=SUB D FEDERLEI



TE Part # CAT-AM7-248H6
IDC D-Sub: Receptacle Kit, Wire to Wire, Signal, 2.74 mm

Also in the Series | AMPLIMITE HDP



D-Sub Connector Contacts(6)



PCB D-Sub Connectors(88)

Customers Also Bought



TE Part #2-767004-2
MICT,RECPT,038,ASSY,.025,REC



TE Part #2102735-1
BP, Half Left End, MULTIGIG RT 2R



TE Part #2102736-1
BP, Center, MULTIGIG RT 2R



TE Part #1617037-7
HFW5A1201G00 = HFW 5AMP RELAY



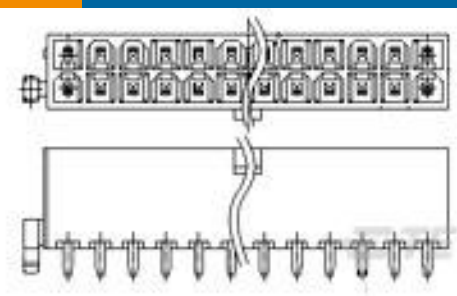
TE Part #2102737-1
BP, Right End, MULTIGIG RT 2R



TE Part #2102870-1
DC, 7Row, Right End, MULTIGIG RT 2R



TE Part #103906-2
03 MTE HDR SRR LATCH .100CL



TE Part #1775099-8
ATX PWR CONN 1 BDLK 12 POS



Documents

Product Drawings

[09 PLUG RA/MS STD](#)

English

CAD Files

[3D PDF](#)

3D

Customer View Model

[ENG_CVM_CVM_5205865-1_A.2d_dxf.zip](#)

English

Customer View Model

[ENG_CVM_CVM_5205865-1_A.3d_igs.zip](#)

English

Customer View Model

[ENG_CVM_CVM_5205865-1_A.3d_stp.zip](#)

English

By downloading the CAD file I accept and agree to the [Terms and Conditions](#) of use.

Product Specifications

[Application Specification](#)

English

Agency Approvals

[UL Report](#)

English