

5205857-1 ✓ ACTIVE

AMPLIMITE | AMPLIMITE HDP

TE Internal #: 5205857-1

AMPLIMITE HDP, PCB D-Sub Connectors, Plug, Board-to-Board, 25
Position, 2.74mm [.108in] Centerline, 2 Row, Row-to-Row Spacing
2.84 mm [.112 in]

[View on TE.com >](#)



[Connectors >](#) [D-Shaped Connectors >](#) [D-Sub Connectors >](#) [PCB D-Sub Connectors >](#)

[D-Sub Plug Assembly: Standard, Right Angle, Shell Size 3, 2.74mm](#)



Connector & Housing Type: **Plug**

Connector System: **Board-to-Board**

Number of Positions: **25**

Centerline (Pitch): **2.74 mm [.108 in]**

Number of Rows: **2**

[All D-Sub Plug Assembly: Standard, Right Angle, Shell Size 3, 2.74mm \(39\)](#)

Features

Product Type Features

Grounding Indents	Without
Grounding Straps	Without
Footprint	13.84 mm[.545 in]
Shell Type	Front Metal Shell
Connector & Housing Type	Plug
Connector System	Board-to-Board
D-Sub Shell Size	3
Sealable	No
Connector & Contact Terminates To	Printed Circuit Board
Product Type	Connector

Configuration Features

Number of Positions	25
Number of Rows	2
PCB Mount Orientation	Right Angle
Preloaded	Yes

Body Features



Plastic	No
Connector Profile	Standard
Shell Material	Steel
Shell Plating Material	Zinc
Post Size	.64 mm[.025 in]

Contact Features

Contact Mating Area Plating Material	Gold Flash
Contact Underplating Material	Nickel
PCB Contact Termination Area Plating Material	Tin
Contact Base Material	Brass
Contact Shape & Form	Square
Contact Current Rating (Max)	6 A

Termination Features

Grounding Clips	Without
Termination Method to Printed Circuit Board	Through Hole - Solder
Termination Post Length	3.18 mm[.125 in]

Mechanical Attachment

Panel Mount Feature	Without
PCB Mount Retention	With
PCB Mount Retention Type	Mounting Hole
Mating Retention	Without
Connector Mounting Type	Board Mount
Mounting Hole Diameter	3.05 mm[.12 in]

Housing Features

Centerline (Pitch)	2.74 mm[.108 in]
Housing Material	Glass-Filled Nylon, Glass-Filled PBT
Housing Color	Black

Dimensions

Row-to-Row Spacing	2.84 mm[.112 in]
PCB Thickness (Recommended)	2.36 mm[.093 in]

Usage Conditions

Operating Temperature Range	-55 – 105 °C[-67 – 221 °F]
-----------------------------	----------------------------



Operation/Application

Circuit Application	Signal
---------------------	--------

Industry Standards

UL Flammability Rating	UL 94V-0
------------------------	----------

Packaging Features

Packaging Method	Package
Packaging Quantity	70

Product Compliance

[For compliance documentation, visit the product page on TE.com>](#)

EU RoHS Directive 2011/65/EU	Compliant
EU ELV Directive 2000/53/EC	Compliant
China RoHS 2 Directive MIIT Order No 32, 2016	No Restricted Materials Above Threshold
EU REACH Regulation (EC) No. 1907/2006	Current ECHA Candidate List: JAN 2021 (211) Candidate List Declared Against: JAN 2021 (211) Does not contain REACH SVHC
Halogen Content	Not Low Halogen - contains Br or Cl > 900 ppm.
Solder Process Capability	Wave solder capable to 265°C

Product Compliance Disclaimer

This information is provided based on reasonable inquiry of our suppliers and represents our current actual knowledge based on the information they provided. This information is subject to change. The part numbers that TE has identified as EU RoHS compliant have a maximum concentration of 0.1% by weight in homogenous materials for lead, hexavalent chromium, mercury, PBB, PBDE, DBP, BBP, DEHP, DIBP, and 0.01% for cadmium, or qualify for an exemption to these limits as defined in the Annexes of Directive 2011/65/EU (RoHS2). Finished electrical and electronic equipment products will be CE marked as required by Directive 2011/65/EU. Components may not be CE marked. Additionally, the part numbers that TE has identified as EU ELV compliant have a maximum concentration of 0.1% by weight in homogenous materials for lead, hexavalent chromium, and mercury, and 0.01% for cadmium, or qualify for an exemption to these limits as defined in the Annexes of Directive 2000/53/EC (ELV). Regarding the REACH Regulation, the information TE provides on SVHC in articles for this part number is based on the latest European Chemicals Agency (ECHA) 'Guidance on requirements for substances in articles' posted at this URL: <https://echa.europa.eu/guidance-documents/guidance-on-reach>

Compatible Parts




TE Part # CAT-AM7-248H6
IDC D-Sub: Receptacle Kit, Wire to Wire, Signal, 2.74 mm



TE Part # CAT-AM7-248H5
IDC D-Sub: Receptacle Assembly, Wire to Wire, Signal, 2.77 mm




TE Part # 5-747913-2
25 Rcpt Solder Cup, Gold Flash



TE Part # CAT-AM7-248H9
IDC D-Sub: Receptacle Kit, Cable to Cable, Signal, 2.77 mm

Also in the Series | **AMPLIMITE HDP**



D-Sub Connector Contacts(6)



PCB D-Sub Connectors(88)

Customers Also Bought



TE Part #1-796409-1
CPC SERIES 1 POSTED



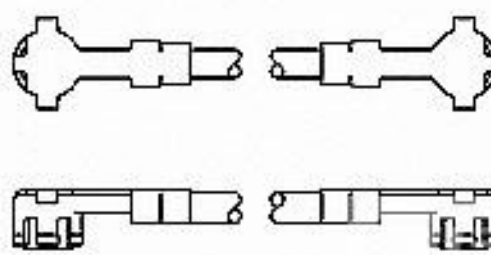
TE Part #1879216-5
CPF 0402 54K9 0.1% 25PPM 1K RL



TE Part #1-1825137-5
A103SYCB04



TE Part #1-1437624-8
PKAP50B1/4=KNOB PLASTIC W/POIN



TE Part #1064533-1
9960 1305 24



TE Part #YDTS26Z15-35PN0000
D38999: Straight Plug, 15-35 Insert



TE Part #1-211431-5
SKT ,SZ 22,PST,SD,ARINC 600



TE Part #1-1761692-3
IDC LOW PRO HDR 40P RA LG LAT



TE Part #103185-9
09 MODII HDR SRST B/A .100CL



TE Part #1-1437627-7
C109=C-10 WHITE



Documents

Product Drawings

25 PLUG RA/MS STD

English

CAD Files

3D PDF

3D

Customer View Model

[ENG_CVM_CVM_5205857-1_A.2d_dxf.zip](#)

English

Customer View Model

[ENG_CVM_CVM_5205857-1_A.3d_igs.zip](#)

English

Customer View Model

[ENG_CVM_CVM_5205857-1_A.3d_stp.zip](#)

English

By downloading the CAD file I accept and agree to the [Terms and Conditions](#) of use.

Product Specifications

Application Specification

English

Agency Approvals

UL Report

English