



**Nanonics**

TE Internal #: 5-1589956-0

Microminiature & Nanominiature D Connectors, Receptacle, Wire-to-Wire, 65 Position, Mounting Hardware, .64mm [.025in] Centerline, Wire & Cable

[View on TE.com >](#)

Connectors > D-Shaped Connectors > Microminiature & Nanominiature D Connectors



Connector & Housing Type: **Receptacle**

Connector System: **Wire-to-Wire**

Number of Positions: **65**

Mounting Hardware: **With**

Centerline (Pitch): **.64 mm [ .025 in ]**

**Features**

**Product Type Features**

Product Type	Connector
Connector & Housing Type	Receptacle
Connector System	Wire-to-Wire
Connector & Contact Terminates To	Wire & Cable

**Configuration Features**

Preloaded	Yes
PCB Mount Orientation	Horizontal
Number of Positions	65

**Contact Features**

Contact Current Rating (Max)	1 A
------------------------------	-----

**Mechanical Attachment**

Mounting Hardware	With
Connector Mounting Type	Fixing Screw

**Housing Features**

Housing Material	Aluminum
Centerline (Pitch)	.64 mm[.025 in]

**Usage Conditions**

Operating Temperature Range	-65 – 125 °C[-85 – 257 °F]
-----------------------------	----------------------------

## Product Compliance

[For compliance documentation, visit the product page on TE.com>](#)

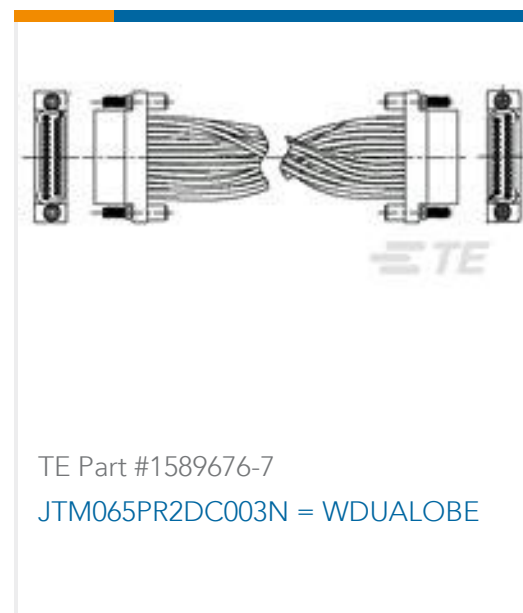
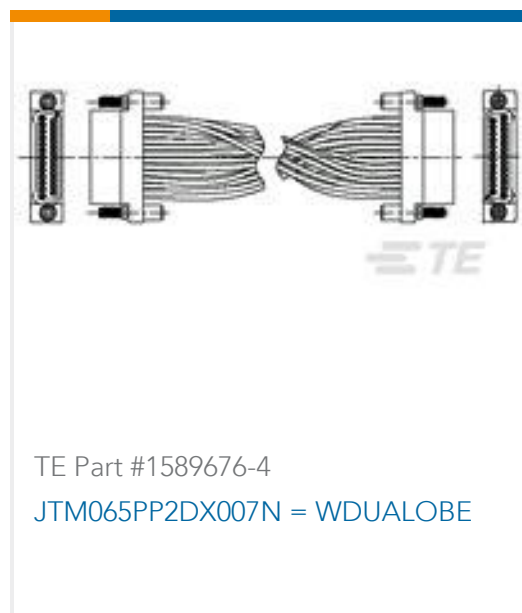
EU RoHS Directive 2011/65/EU	Not Compliant
EU ELV Directive 2000/53/EC	Not Compliant
China RoHS 2 Directive MIIT Order No 32, 2016	Restricted Materials Above Threshold
EU REACH Regulation (EC) No. 1907/2006	Current ECHA Candidate List: JAN 2021 (211) Candidate List Declared Against: JUL 2017 (174) SVHC > Threshold: Not Yet Reviewed
Halogen Content	Not Yet Reviewed for halogen content
Solder Process Capability	Not lead free process capable

### Product Compliance Disclaimer

This information is provided based on reasonable inquiry of our suppliers and represents our current actual knowledge based on the information they provided. This information is subject to change. The part numbers that TE has identified as EU RoHS compliant have a maximum concentration of 0.1% by weight in homogenous materials for lead, hexavalent chromium, mercury, PBB, PBDE, DBP, BBP, DEHP, DIBP, and 0.01% for cadmium, or qualify for an exemption to these limits as defined in the Annexes of Directive 2011/65/EU (RoHS2). Finished electrical and electronic equipment products will be CE marked as required by Directive 2011/65/EU. Components may not be CE marked. Additionally, the part numbers that TE has identified as EU ELV compliant have a maximum concentration of 0.1% by weight in homogenous materials for lead, hexavalent chromium, and mercury, and 0.01% for cadmium, or qualify for an exemption to these limits as defined in the Annexes of Directive 2000/53/EC (ELV). Regarding the REACH Regulation, the information TE provides on SVHC in articles for this part number is based on the latest European Chemicals Agency (ECHA) 'Guidance on requirements for substances in articles' posted at this URL: <https://echa.europa.eu/guidance-documents/guidance-on-reach>

## Customers Also Bought

 <p>TE Part #1934356-1 TinMan R/A Header Assy 3x16 do</p>	 <p>TE Part #5569350-1 MJ ASSY,3P,8 POS,R/A,CAT 5E</p>	 <p>TE Part #356303-000 D-181-2826-6/9</p>	 <p>TE Part #7-1617760-3 FCB-405-0612L=M83536/6-012L</p>
--	--	---	---



## Documents

### Product Drawings

[STM06512670L2CN = SMT Conn](#)

English

### CAD Files

[3D PDF](#)

3D

Customer View Model

[ENG\\_CVM\\_CVM\\_5-1589956-0\\_A.2d\\_dxf.zip](#)

English

Customer View Model

[ENG\\_CVM\\_CVM\\_5-1589956-0\\_A.3d\\_igs.zip](#)

English

Customer View Model

[ENG\\_CVM\\_CVM\\_5-1589956-0\\_A.3d\\_stp.zip](#)

English

By downloading the CAD file I accept and agree to the [Terms and Conditions](#) of use.

### Datasheets & Catalog Pages

[Nanonics Connectors for MIL-DTL-32139](#)

English