

3-338309-2 ✓ ACTIVE

AMPLIMITE | AMPLIMITE HDP-20

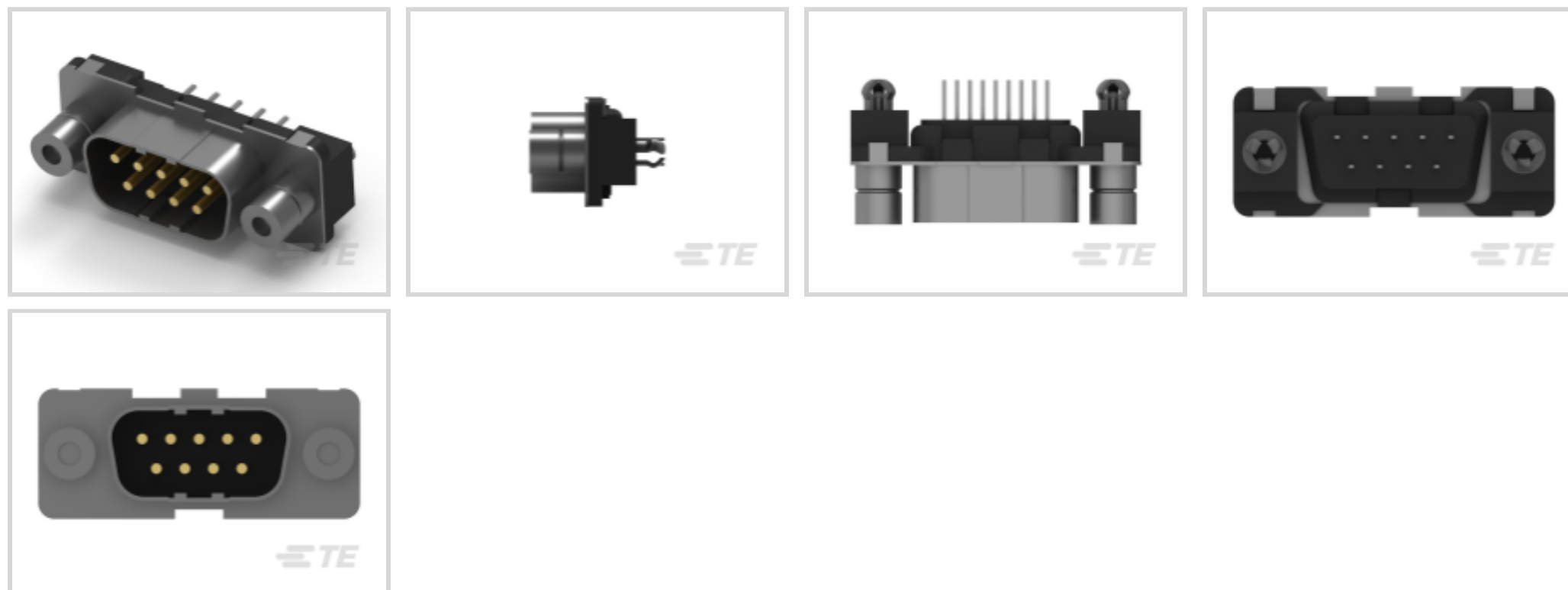
TE Internal #: 3-338309-2

AMPLIMITE HDP-20, PCB D-Sub Connectors, Plug, Cable-to-Board,
9 Position, 2.74mm [.108in] Centerline, 2 Row, Row-to-Row Spacing
2.84 mm [.112 in]

[View on TE.com >](#)



Connectors > D-Shaped Connectors > D-Sub Connectors > PCB D-Sub Connectors > D-Sub Plug Assembly: Standard, Vertical, Shell Size 1, 2.74mm



Connector & Housing Type: **Plug**

Connector System: **Cable-to-Board**

Number of Positions: **9**

Centerline (Pitch): **2.74 mm [.108 in]**

Number of Rows: **2**

[All D-Sub Plug Assembly: Standard, Vertical, Shell Size 1, 2.74mm \(50\)](#)

Features

Product Type Features

Grounding Straps	Without
Grounding Indents	Without
Grounded	No
Shell Type	Front Metal Shell
Connector & Housing Type	Plug
Connector System	Cable-to-Board
D-Sub Shell Size	1
Sealable	No
Connector & Contact Terminates To	Printed Circuit Board
Shielded	No
Product Type	Connector

Configuration Features

Performance Level	Level 2
-------------------	---------



Number of Positions	9
Number of Rows	2
PCB Mount Orientation	Vertical
Preloaded	Yes

Body Features

Plastic	No
Connector Profile	Standard
Color	Black
Shell Material	Steel
Shell Plating Material	Tin

Contact Features

Contact Mating Area Plating Material	Gold
Contact Underplating Material	Nickel
PCB Contact Termination Area Plating Material	Tin
Contact Base Material	Phosphor Bronze
Contact Shape & Form	Round
Contact Current Rating (Max)	6 A
	30 μ m

Termination Features

Grounding Clips	Without
Termination Method to Printed Circuit Board	Through Hole - Solder
Termination Post Length	3.2 mm [.126 in]

Mechanical Attachment

Panel Mount Feature	Without
PCB Mount Retention	With
PCB Mount Retention Type	Boardlock
Mating Retention	With
Mating Retention Type	Female Screwlocks, 4-40 UNC
Connector Mounting Type	Board Mount
Boardlock Material	Phosphor Bronze
Boardlock Plating Material	Tin
Mounting Hole Diameter	5 mm



Housing Features

Centerline (Pitch)	2.74 mm [.108 in]
Housing Material	Glass Filled Polyester
Housing Color	Black

Dimensions

Row-to-Row Spacing	2.84 mm [.112 in]
PCB Thickness (Recommended)	1.6 mm [.063 in]

Usage Conditions

Operating Temperature Range	-55 – 105 °C [-67 – 221 °F]
-----------------------------	-----------------------------

Operation/Application

Circuit Application	Signal
---------------------	--------

Industry Standards

Approved Standards	DIN 41652
UL Flammability Rating	UL 94V-0

Packaging Features

Packaging Method	Tray
Packaging Quantity	55

Product Compliance

[For compliance documentation, visit the product page on TE.com>](#)

EU RoHS Directive 2011/65/EU	Compliant with Exemptions
EU ELV Directive 2000/53/EC	Compliant with Exemptions
China RoHS 2 Directive MIIT Order No 32, 2016	Restricted Materials Above Threshold
EU REACH Regulation (EC) No. 1907/2006	Current ECHA Candidate List: JAN 2021 (211) Candidate List Declared Against: JAN 2021 (211) SVHC > Threshold: Pb (.35% in Component Part) Article Safe Usage Statements: Do not eat, drink or smoke when using this product. Wash thoroughly after handling. Recycle if possible and dispose of the article by following all applicable governmental regulations relevant to your geographic location.
Halogen Content	Not Low Halogen - contains Br or Cl > 900 ppm.
Solder Process Capability	Wave solder capable to 265°C

Product Compliance Disclaimer

This information is provided based on reasonable inquiry of our suppliers and represents our current actual knowledge based on the information they provided. This information is subject to change. The part numbers that TE has identified as EU RoHS compliant have a maximum concentration of 0.1% by weight in homogenous materials for lead, hexavalent chromium, mercury, PBB, PBDE, DBP, BBP, DEHP, DIBP, and 0.01% for cadmium, or qualify for an exemption to these limits as defined in the Annexes of Directive 2011/65/EU (RoHS2). Finished electrical and electronic equipment products will be CE marked as required by Directive 2011/65/EU. Components may not be CE marked. Additionally, the part numbers that TE has identified as EU ELV compliant have a maximum concentration of 0.1% by weight in homogenous materials for lead, hexavalent chromium, and mercury, and 0.01% for cadmium, or qualify for an exemption to these limits as defined in the Annexes of Directive 2000/53/EC (ELV). Regarding the REACH Regulation, the information TE provides on SVHC in articles for this part number is based on the latest European Chemicals Agency (ECHA) 'Guidance on requirements for substances in articles' posted at this URL: <https://echa.europa.eu/guidance-documents/guidance-on-reach>

Compatible Parts



TE Part # CAT-AM7-248H6
IDC D-Sub: Receptacle Kit, Wire to Wire, Signal, 2.74 mm



TE Part # CAT-AM7-253
IDC D-Sub: Receptacle Assembly, Low Profile, Signal, 2.77 mm



TE Part # CAT-AM7-248H8
IDC D-Sub: Receptacle Assembly, Wire to Wire, Signal, 2.74 mm



TE Part # CAT-AM7-248H9
IDC D-Sub: Receptacle Kit, Cable to Cable, Signal, 2.77 mm




TE Part # 3-1393483-8
V42254A1115B209=SUB D FEDERLEI



TE Part # 5748025-1
09 PLUG SP/FMS BRDLK

Also in the Series | AMPLIMITE HDP-20



D-Sub Locking & Mounting(9)



PCB D-Sub Connectors(13)

Customers Also Bought



TE Part #1571983-1
GDH02S04=DIP SWITCH



TE Part #826632-5
5P AMPMODU II PIN HDR



TE Part #1-406541-5
MJ,INV,1X1,0PNL G.,.100"ST,SN



TE Part #1571983-4
GDH04S04=DIP SWITCH



TE Part #177555-5
DYNAMIC 3500 HDR ASSY



TE Part #1625827-7
Metal Chip Resistor: Current Sense



TE Part #1-1825059-8
ADF04STTR04=DIP S,FLUSH,SMT-GW



TE Part #1625813-1
3632 1000UH 15% FIO



TE Part #1624258-1
SL1 R051 5% TAPED



TE Part #1-770166-0
02P MINI-UMNL ASSY VO SNNI*

Documents

Product Drawings

[9POS.HD20 PLUG ASSY](#)

English

CAD Files

[3D PDF](#)

3D

Customer View Model

[ENG_CVM_CVM_3-338309-2_E.2d_dxf.zip](#)

English

Customer View Model

[ENG_CVM_CVM_3-338309-2_E.3d_igs.zip](#)

English

Customer View Model

[ENG_CVM_CVM_3-338309-2_E.3d_stp.zip](#)

English

By downloading the CAD file I accept and agree to the [Terms and Conditions](#) of use.

Product Environmental Compliance

3-338309-2

AMPLIMITE HDP-20, PCB D-Sub Connectors, Plug, Cable-to-Board, 9 Position, 2.74 mm [.108in] Centerline, 2 Row, Row-to-Row Spacing 2.84 mm [.112 in]



[MD_3-338309-2_0814201805_dmtec](#)

English

[MD_3-338309-2_0814201805_dmtec](#)

English