

1658651-1 ✓ ACTIVE



## AMPLIMITE

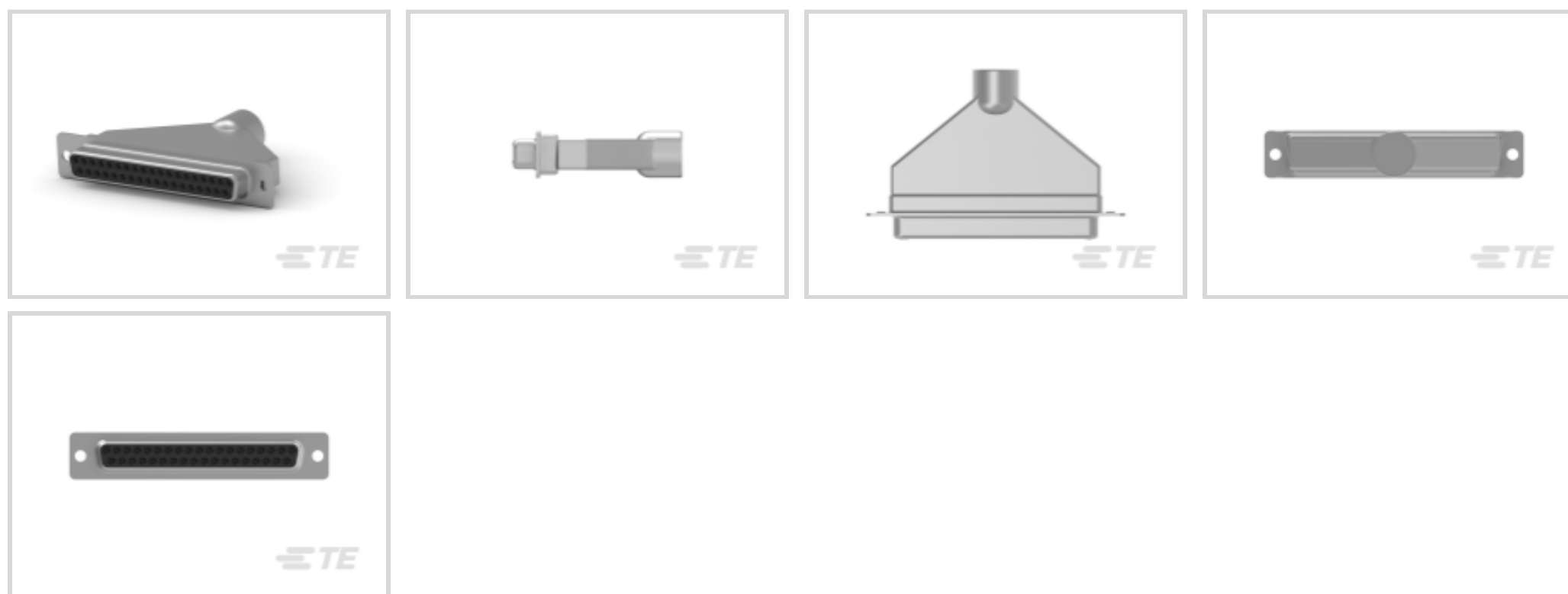
TE Internal #: 1658651-1

Crimp D-Sub Connectors, Receptacle, Cable-to-Cable, 37 Position,  
20 D-Sub Contact Size, 4 D-Sub Shell Size, Mating Retention,  
Mounting Holes, Shielded

[View on TE.com >](#)

[Connectors >](#) [D-Shaped Connectors >](#) [D-Sub Connectors >](#) [Crimp D-Sub Connectors >](#)

D-Sub Crimp Recpt Signal 37 Posn, Socket Size 20, Shell Size 4



Connector & Housing Type: **Receptacle**

Connector System: **Cable-to-Cable**

Number of Positions: **37**

D-Sub Contact Size: **20**

D-Sub Shell Size: **4**

[All D-Sub Crimp Recpt Signal 37 Posn, Socket Size 20, Shell Size 4 \(5\)](#)

## Features

### Product Type Features

Grounding Indents	Without
Product Type	Connector
Grade	Standard
Shell Type	Full Metal Shell
Connector & Housing Type	Receptacle
Connector System	Cable-to-Cable
D-Sub Shell Size	4
Sealable	No
Connector & Contact Terminates To	Wire & Cable

### Configuration Features

Number of Positions	37
---------------------	----

### Body Features



Shell Plating Material	Tin
Shield Plating Material	Tin
Shell Material	Steel
Shield Material	Steel
Insert Material	Glass Filled PBT/Nylon

### Contact Features

D-Sub Contact Size	20
--------------------	----

### Mechanical Attachment

Mating Retention	With
Mating Retention Type	Mounting Holes

### Housing Features

Housing Color	Black
Housing Material	Nylon GF
Centerline (Pitch)	2.76 mm [.109 in]

### Dimensions

Cable Insulation Diameter Range	4.19 – 11.56 mm
---------------------------------	-----------------

### Usage Conditions

Operating Temperature Range	-55 – 105 °C [-67 – 221 °F]
-----------------------------	-----------------------------

### Operation/Application

Shielded	Yes
Circuit Application	Signal

### Industry Standards

Insert Flammability Rating	UL 94V-0
UL Flammability Rating	UL 94V-0

### Packaging Features

Packaging Quantity	1
Packaging Method	Kit, Package

### Other

Comment	Components shipped unassembled, each part bulk-packaged., Maximum cable diameter after jacket and braid removed., Receptacles accept size 20 DF socket contacts.
---------	--



## Product Compliance

[For compliance documentation, visit the product page on TE.com>](#)

EU RoHS Directive 2011/65/EU	Compliant
EU ELV Directive 2000/53/EC	Compliant
China RoHS 2 Directive MIIT Order No 32, 2016	No Restricted Materials Above Threshold
EU REACH Regulation (EC) No. 1907/2006	Current ECHA Candidate List: JAN 2021 (211) Candidate List Declared Against: JAN 2021 (211) Does not contain REACH SVHC
Halogen Content	Not Low Halogen - contains Br or Cl > 900 ppm.
Solder Process Capability	Not applicable for solder process capability

### Product Compliance Disclaimer

This information is provided based on reasonable inquiry of our suppliers and represents our current actual knowledge based on the information they provided. This information is subject to change. The part numbers that TE has identified as EU RoHS compliant have a maximum concentration of 0.1% by weight in homogenous materials for lead, hexavalent chromium, mercury, PBB, PBDE, DBP, BBP, DEHP, DIBP, and 0.01% for cadmium, or qualify for an exemption to these limits as defined in the Annexes of Directive 2011/65/EU (RoHS2). Finished electrical and electronic equipment products will be CE marked as required by Directive 2011/65/EU. Components may not be CE marked. Additionally, the part numbers that TE has identified as EU ELV compliant have a maximum concentration of 0.1% by weight in homogenous materials for lead, hexavalent chromium, and mercury, and 0.01% for cadmium, or qualify for an exemption to these limits as defined in the Annexes of Directive 2000/53/EC (ELV). Regarding the REACH Regulation, the information TE provides on SVHC in articles for this part number is based on the latest European Chemicals Agency (ECHA) 'Guidance on requirements for substances in articles' posted at this URL: <https://echa.europa.eu/guidance-documents/guidance-on-reach>

## Compatible Parts



TE Part # CAT-035-DCRSS204  
D-Sub Crimp Recpt Signal 37 Posn, Socket Size 20, Shell Size 4

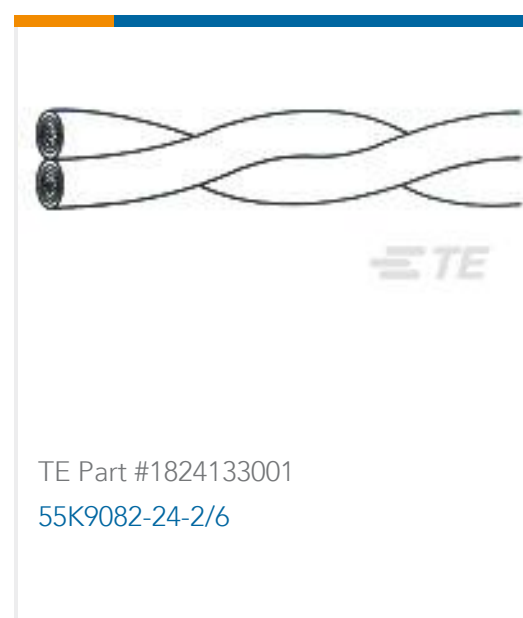
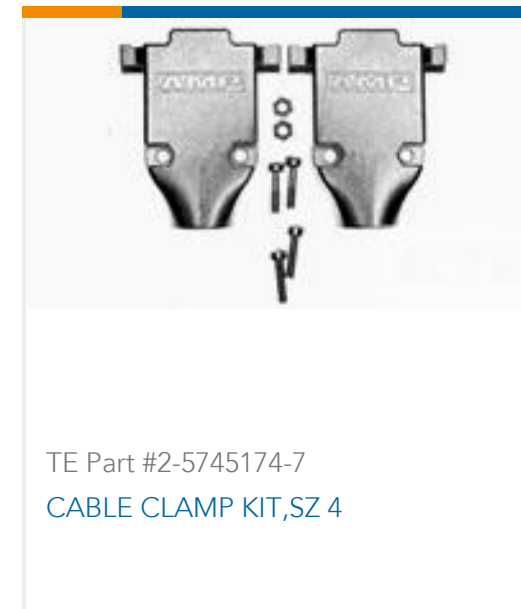


TE Part # CAT-035-DCPPS204  
D-Sub Crimp: Plug, Signal, 37 Posn, Pin Size 20, Shell Size 4



TE Part # CAT-035-DCCSC20  
D-Sub Conn Contacts: Socket, Phosphor Bronze, Signal, Size 20

## Customers Also Bought



## Documents

### Product Drawings

[KIT,HDP-20,OVRMLD,RCPT,SIZE 4,](#)

English

### CAD Files

[3D PDF](#)

3D

Customer View Model

[ENG\\_CVM\\_CVM\\_1658651-1\\_O.2d\\_dxf.zip](#)

English

Customer View Model

[ENG\\_CVM\\_CVM\\_1658651-1\\_O.3d\\_igs.zip](#)

English

Customer View Model

[ENG\\_CVM\\_CVM\\_1658651-1\\_O.3d\\_stp.zip](#)

English

By downloading the CAD file I accept and agree to the [Terms and Conditions](#) of use.

### Datasheets & Catalog Pages



**AMPLIMITE Subminiature D Connectors - Cable Connectors**

English

**AMPLIMITE Cable Connectors and Shielding Hardware Kits QRG**

English

---

**Product Specifications**

**Application Specification**

English

---

**Product Environmental Compliance**

**TE Material Declaration**

English

---

**Instruction Sheets**

**Instruction Sheet (U.S.)**

English

---

**Agency Approvals**

**UL Report**

English