

1589815-7 ✓ ACTIVE

Nanonics

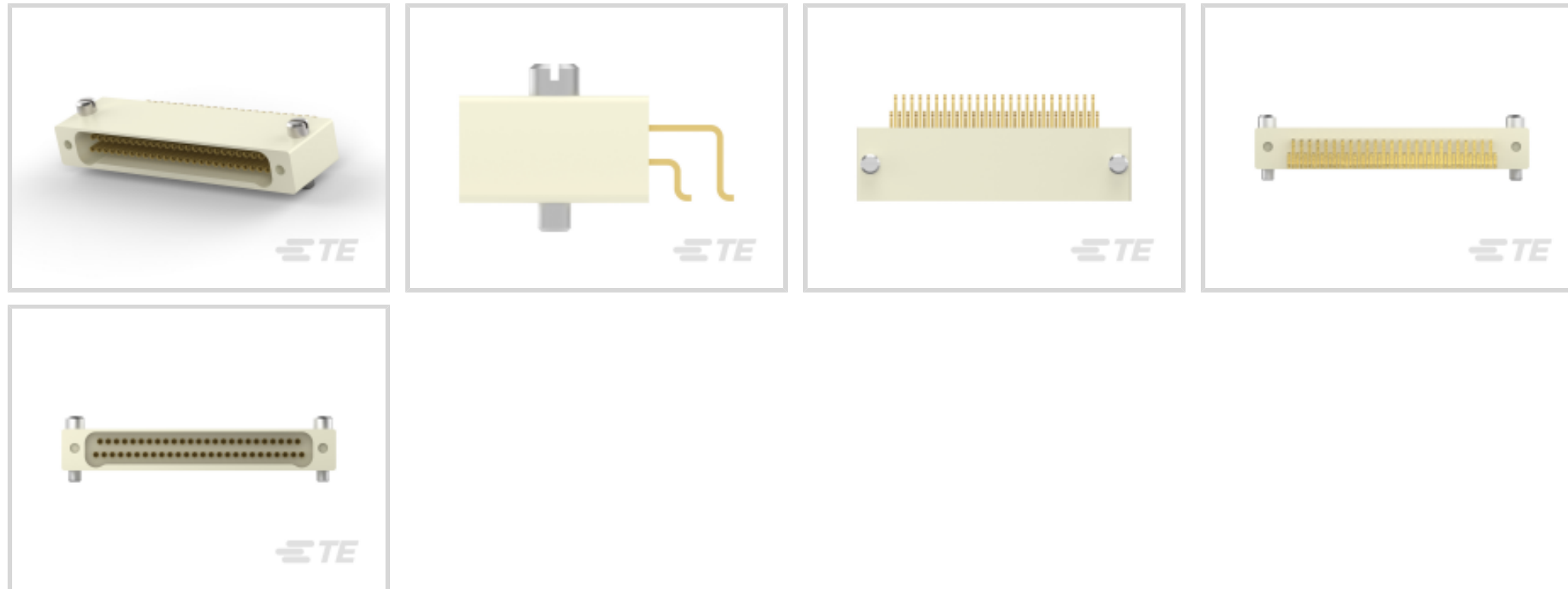
TE Internal #: 1589815-7

PCB Mount Receptacle, Horizontal, Wire-to-Board, 51 Position, .64mm [.025in] Centerline, 2 Row, Gold, Natural Housing Color, Printed Circuit Board

[View on TE.com >](#)



Connectors > PCB Connectors > Wire-to-Board Connectors > Wire-to-Board Headers & Receptacles



PCB Connector Assembly Type: **PCB Mount Receptacle**

PCB Mount Orientation: **Horizontal**

Connector System: **Wire-to-Board**

Number of Positions: **51**

Centerline (Pitch): **.64 mm [ .025 in ]**

### Features

#### Product Type Features

PCB Connector Assembly Type	PCB Mount Receptacle
Connector System	Wire-to-Board
Sealable	No
Connector & Contact Terminates To	Printed Circuit Board

#### Configuration Features

PCB Mount Orientation	Horizontal
Number of Positions	51
Number of Rows	2

#### Contact Features

Contact Retention Within Housing	Without
Contact Shape & Form	Round
PCB Contact Termination Area Plating Material	Gold
Contact Base Material	Beryllium Copper
Contact Mating Area Plating Material	Gold



Contact Mating Area Plating Material Thickness	1.27 – 2.28 $\mu\text{m}$ [50 – 90 $\mu\text{in}$ ]
--	---

Contact Type	Socket
--------------	--------

### Termination Features

Rectangular Termination Post & Tail Thickness	.19 mm[.008 in]
---	-----------------

Rectangular Termination Post & Tail Width	.23 mm[.009 in]
---	-----------------

Termination Method to Printed Circuit Board	Surface Mount
---	---------------

### Mechanical Attachment

Surface Mount Extended Leads	Without
------------------------------	---------

Mounting/Mating Hardware	With
--------------------------	------

Mating Alignment Type	Polarization
-----------------------	--------------

Mating Alignment	With
------------------	------

Hardware Type	1.0 mm X .160" Mounting Screw
---------------	-------------------------------

Mating Retention Type	Jackscrew
-----------------------	-----------

PCB Mount Alignment	Without
---------------------	---------

Mating Retention	With
------------------	------

PCB Mount Retention	Without
---------------------	---------

Connector Mounting Type	Board Mount
-------------------------	-------------

### Housing Features

Housing Plating Material	Nickel
--------------------------	--------

Centerline (Pitch)	.64 mm[.025 in]
--------------------	-----------------

Housing Color	Natural
---------------	---------

Housing Material	LCP (Liquid Crystal Polymer)
------------------	------------------------------

### Dimensions

Connector Length	21.17 mm[.834 in]
------------------	-------------------

Screw & Hole Diameter	1 mm[.039 in]
-----------------------	---------------

Connector Height	3.2 mm[.126 in]
------------------	-----------------

	.04 in
--	--------

### Operation/Application

Circuit Application	Power
---------------------	-------

### Packaging Features

Packaging Quantity	5
--------------------	---

Packaging Method	Package
------------------	---------

## Product Compliance

[For compliance documentation, visit the product page on TE.com>](#)

EU RoHS Directive 2011/65/EU	Compliant
EU ELV Directive 2000/53/EC	Compliant
China RoHS 2 Directive MIIT Order No 32, 2016	No Restricted Materials Above Threshold
EU REACH Regulation (EC) No. 1907/2006	Current ECHA Candidate List: JAN 2021 (211) Candidate List Declared Against: JUL 2019 (201) SVHC > Threshold: Not Yet Reviewed
Halogen Content	Low Halogen - Br, Cl, F, I < 900 ppm per homogenous material. Also BFR/CFR/PVC Free
Solder Process Capability	Reflow solder capable to 260°C

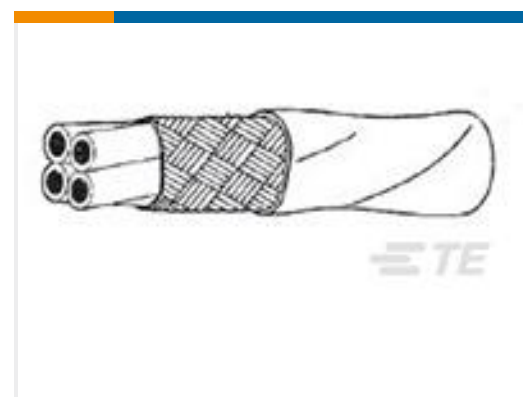
### Product Compliance Disclaimer

This information is provided based on reasonable inquiry of our suppliers and represents our current actual knowledge based on the information they provided. This information is subject to change. The part numbers that TE has identified as EU RoHS compliant have a maximum concentration of 0.1% by weight in homogenous materials for lead, hexavalent chromium, mercury, PBB, PBDE, DBP, BBP, DEHP, DIBP, and 0.01% for cadmium, or qualify for an exemption to these limits as defined in the Annexes of Directive 2011/65/EU (RoHS2). Finished electrical and electronic equipment products will be CE marked as required by Directive 2011/65/EU. Components may not be CE marked. Additionally, the part numbers that TE has identified as EU ELV compliant have a maximum concentration of 0.1% by weight in homogenous materials for lead, hexavalent chromium, and mercury, and 0.01% for cadmium, or qualify for an exemption to these limits as defined in the Annexes of Directive 2000/53/EC (ELV). Regarding the REACH Regulation, the information TE provides on SVHC in articles for this part number is based on the latest European Chemicals Agency (ECHA) 'Guidance on requirements for substances in articles' posted at this URL: <https://echa.europa.eu/guidance-documents/guidance-on-reach>

## Customers Also Bought



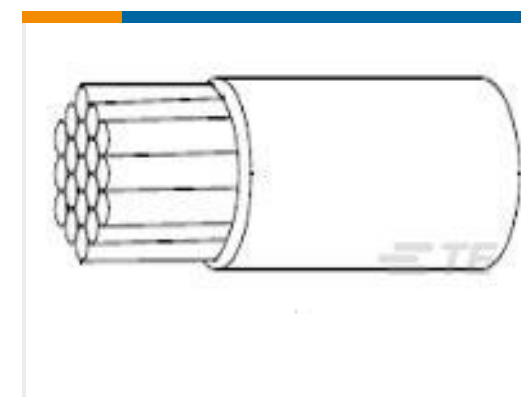
TE Part #YDTS20T21-41PNV001  
D38999: Square Flange, 21-41 insert



TE Part #551701-000  
55PC1141-24-9/93/95/96-9



TE Part #1589815-6  
STM037T2HN = SMT CONN



TE Part #216369-000  
55A0111-18-8



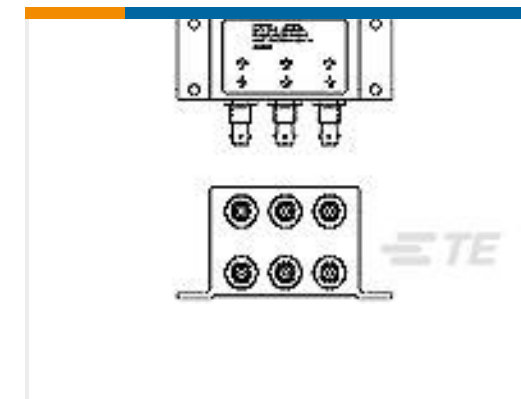
TE Part #757757-000  
55PC0111-10-9



TE Part #BTA1-16-11-4-J-SB  
BTA1-16-11-4-J-SB



TE Part #BTA1-18-13-4-J-SB  
BTA1-18-13-4-J-SB



TE Part #280529-000  
D-500-0255-545-1



TE Part #112605-000  
D-621-0407-L



TE Part #5-1589474-5  
STM037PC2DM024N = WDUALOBE

## Documents

### Product Drawings

[STM051T2HN = SMT CONN](#)

English

### CAD Files

[3D PDF](#)

3D

Customer View Model

[ENG\\_CVM\\_CVM\\_1589815-7\\_B.2d\\_dxf.zip](#)

English

Customer View Model

[ENG\\_CVM\\_CVM\\_1589815-7\\_B.3d\\_igs.zip](#)

English

Customer View Model

[ENG\\_CVM\\_CVM\\_1589815-7\\_B.3d\\_stp.zip](#)

English

By downloading the CAD file I accept and agree to the [Terms and Conditions](#) of use.

### Datasheets & Catalog Pages

[1589815 Nanonics Cross Reference](#)

English