



Product Compliance

[For compliance documentation, visit the product page on TE.com>](#)

EU RoHS Directive 2011/65/EU	Compliant with Exemptions
EU ELV Directive 2000/53/EC	Compliant with Exemptions
China RoHS 2 Directive MIIT Order No 32, 2016	Restricted Materials Above Threshold
EU REACH Regulation (EC) No. 1907/2006	Current ECHA Candidate List: JAN 2021 (211) Candidate List Declared Against: JAN 2021 (211) SVHC > Threshold: Pb (4% in Component Part) Article Safe Usage Statements: Do not eat, drink or smoke when using this product. Wash thoroughly after handling. Recycle if possible and dispose of the article by following all applicable governmental regulations relevant to your geographic location.
Halogen Content	BFR/CFR/PVC Free, but Br/Cl >900 ppm in other sources.
Solder Process Capability	Not applicable for solder process capability

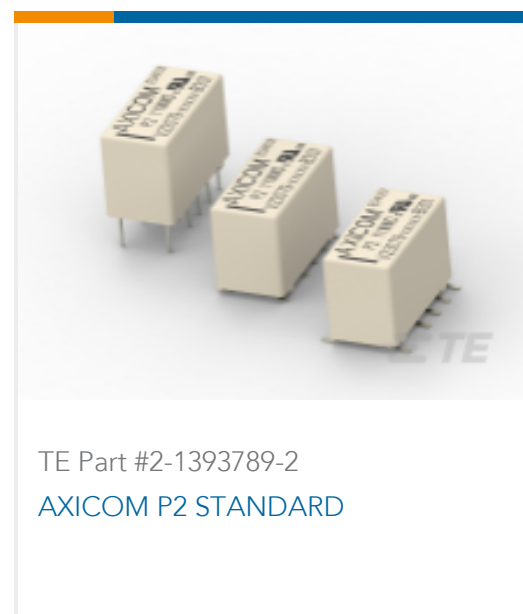
Product Compliance Disclaimer

This information is provided based on reasonable inquiry of our suppliers and represents our current actual knowledge based on the information they provided. This information is subject to change. The part numbers that TE has identified as EU RoHS compliant have a maximum concentration of 0.1% by weight in homogenous materials for lead, hexavalent chromium, mercury, PBB, PBDE, DBP, BBP, DEHP, DIBP, and 0.01% for cadmium, or qualify for an exemption to these limits as defined in the Annexes of Directive 2011/65/EU (RoHS2). Finished electrical and electronic equipment products will be CE marked as required by Directive 2011/65/EU. Components may not be CE marked. Additionally, the part numbers that TE has identified as EU ELV compliant have a maximum concentration of 0.1% by weight in homogenous materials for lead, hexavalent chromium, and mercury, and 0.01% for cadmium, or qualify for an exemption to these limits as defined in the Annexes of Directive 2000/53/EC (ELV). Regarding the REACH Regulation, the information TE provides on SVHC in articles for this part number is based on the latest European Chemicals Agency (ECHA) 'Guidance on requirements for substances in articles' posted at this URL: <https://echa.europa.eu/guidance-documents/guidance-on-reach>

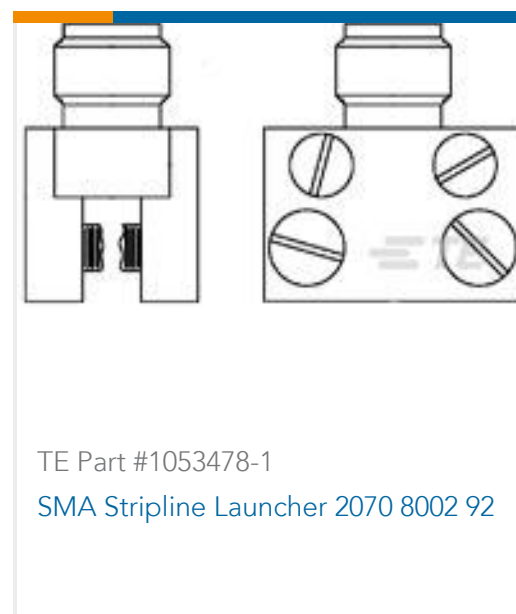
Customers Also Bought



TE Part #5-316092-1
Glow Wire Signal Double Lock Cap



TE Part #2-1393789-2
AXICOM P2 STANDARD



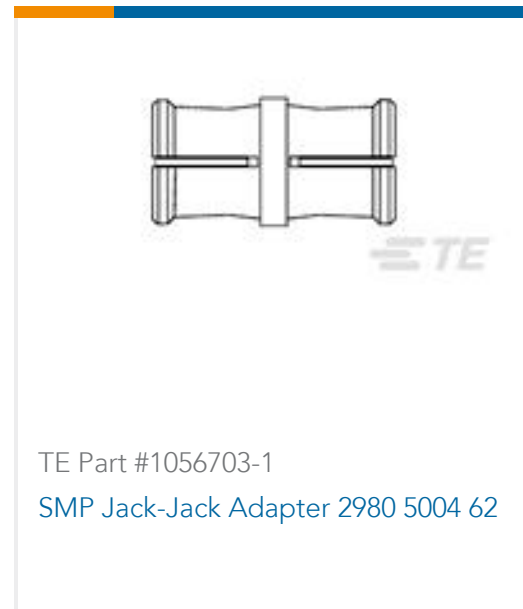
TE Part #1053478-1
SMA Stripline Launcher 2070 8002 92



TE Part #1738960-2
CONNECTOR ASY,MODULE,24 POS,
ARINC 801



TE Part #535542-7
14 MODIV VRT DR CE 100/130



TE Part #1056703-1
SMP Jack-Jack Adapter 2980 5004 62



TE Part #2-535542-9
58 MODIV VRT DR CE 100/130



TE Part #204546-2
AMPLIMITE,ASY,RCPT,FB,90,6,CONT



TE Part #1532183-4
M83513/03-E04N, MCKS-N1-B-
31P6G9-36.0



TE Part #YDIV46E21-35SNV001
PLUG ASSY

Documents

CAD Files

3D PDF

English

Customer View Model

[ENG_CVM_5413592-9_A.2d_dxf.zip](#)

English

Customer View Model

[ENG_CVM_5413592-9_A.3d_igs.zip](#)

English

Customer View Model

[ENG_CVM_5413592-9_A.3d_stp.zip](#)

English

By downloading the CAD file I accept and agree to the [Terms and Conditions](#) of use.

Datasheets & Catalog Pages

BNC Connectors

English