

1053780-1 ✓ ACTIVE



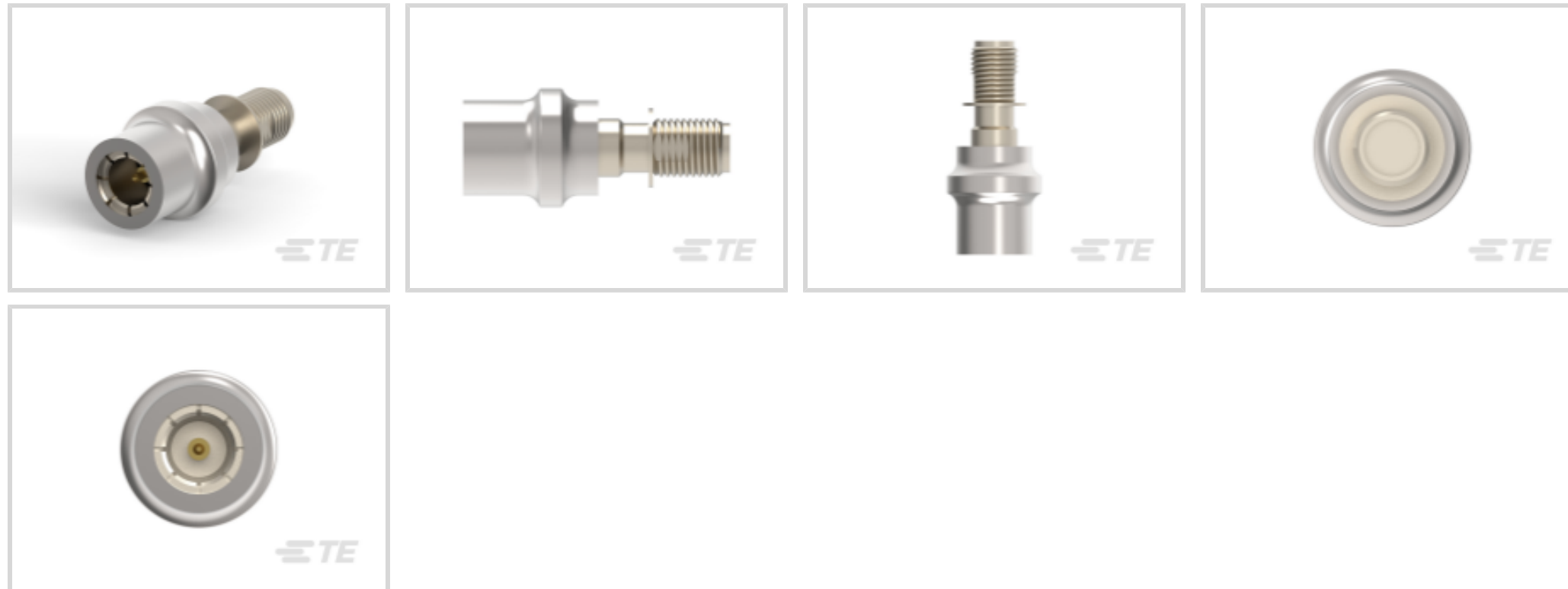
AMP SMA

TE Internal #: 1053780-1

AMP SMA, In-Series Adapters, SMA, Straight, Beryllium Copper, Gold over Copper, 50 Ω, Cable-to-Cable, 1 Position, Wire & Cable, Power & Signal

[View on TE.com >](#)

Connectors > RF Coax Connectors > RF Adapters > In-Series Adapters



RF Connector Type: **SMA**

Body Angle: **Straight**

RF Connector Center Contact Material: **Beryllium Copper**

RF Connector Center Contact Plating Material: **Gold over Copper**

Impedance: **50 Ω**

**Features**

**Product Type Features**

Isolated Ground	No
RF Connector Type	SMA
Connector System	Cable-to-Cable
Sealable	No
Connector & Contact Terminates To	Wire & Cable

**Configuration Features**

Number of Positions	1
---------------------	---

**Electrical Characteristics**

Impedance	50 Ω
-----------	------

**Body Features**

Body Insulation	Without
Body Material	Beryllium Copper
Body Plating Material	Nickel
Body Angle	Straight



### Contact Features

RF Connector Center Contact Material	Beryllium Copper
RF Connector Center Contact Plating Material	Gold over Copper

### Mechanical Attachment

Connector Mounting Type	Bulkhead
-------------------------	----------

### Dimensions

Length	28.6 mm[1.126 in]
--------	-------------------

### Usage Conditions

Operating Temperature Range	-65 – 165 °C[-85 – 329 °F]
-----------------------------	----------------------------

### Operation/Application

Circuit Application	Power & Signal
---------------------	----------------

### Packaging Features

Packaging Method	Bag
------------------	-----

### Other

Comment	Captured Center Contact, Push-On Style
Dielectric Material	TFE Fluorocarbon

## Product Compliance

[For compliance documentation, visit the product page on TE.com>](#)

EU RoHS Directive 2011/65/EU	Compliant with Exemptions
EU ELV Directive 2000/53/EC	Compliant with Exemptions
China RoHS 2 Directive MIIT Order No 32, 2016	Restricted Materials Above Threshold
EU REACH Regulation (EC) No. 1907/2006	Current ECHA Candidate List: JAN 2021 (211) Candidate List Declared Against: JAN 2021 (211) SVHC > Threshold: Pb (.6% in Component Part) <b>Article Safe Usage Statements:</b> Do not eat, drink or smoke when using this product. Wash thoroughly after handling. Recycle if possible and dispose of the article by following all applicable governmental regulations relevant to your geographic location.
Halogen Content	BFR/CFR/PVC Free, but Br/Cl >900 ppm in other sources.
Solder Process Capability	Not applicable for solder process capability

Product Compliance Disclaimer

This information is provided based on reasonable inquiry of our suppliers and represents our current actual knowledge based on the information they provided. This information is subject to change. The part numbers that TE has identified as EU RoHS compliant have a maximum concentration of 0.1% by weight in homogenous materials for lead, hexavalent chromium, mercury, PBB, PBDE, DBP, BBP, DEHP, DIBP, and 0.01% for cadmium, or qualify for an exemption to these limits as defined in the Annexes of Directive 2011/65/EU (RoHS2). Finished electrical and electronic equipment products will be CE marked as required by Directive 2011/65/EU. Components may not be CE marked. Additionally, the part numbers that TE has identified as EU ELV compliant have a maximum concentration of 0.1% by weight in homogenous materials for lead, hexavalent chromium, and mercury, and 0.01% for cadmium, or qualify for an exemption to these limits as defined in the Annexes of Directive 2000/53/EC (ELV). Regarding the REACH Regulation, the information TE provides on SVHC in articles for this part number is based on the latest European Chemicals Agency (ECHA) 'Guidance on requirements for substances in articles' posted at this URL: <https://echa.europa.eu/guidance-documents/guidance-on-reach>

## Compatible Parts



TE Part # 1051644-1  
2031 5003 02



TE Part # 1050548-1  
2001 5032 02



TE Part # 1050525-1  
2001 5003 02,SMA CABLE PLUG



TE Part # 1051151-1  
2007 7941 02,SMA RA CABLE PLUG



TE Part # 1051638-1  
2031 5002 00




TE Part # 1052076-1  
2037 5008 02




TE Part # 1051157-1  
2007 7985 02,SMA RA CABLE PLUG


## Also in the Series | AMP SMA



Battery Holders(1)



Between Series Adapters(3)



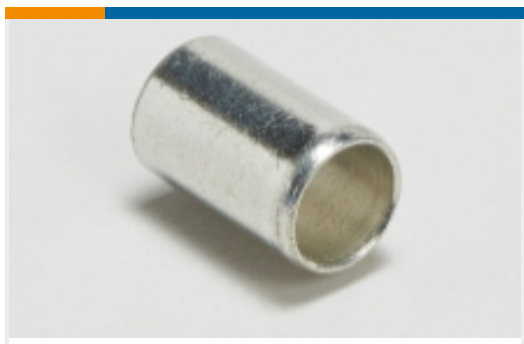
Coax Contacts(1)



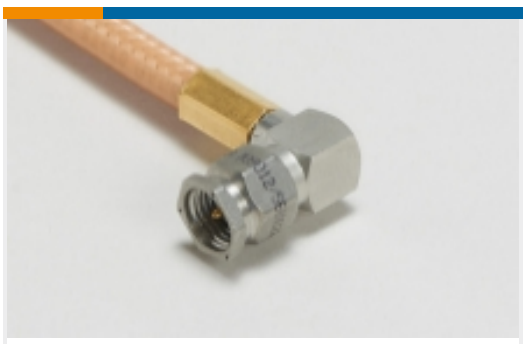
Coax Terminators(1)



In-Series Adapters(35)



Rack & Panel Ferrules & Inserts(1)



RF Cable Assemblies(2)



RF Connector Hardware(2)



RF Connector Launchers(13)

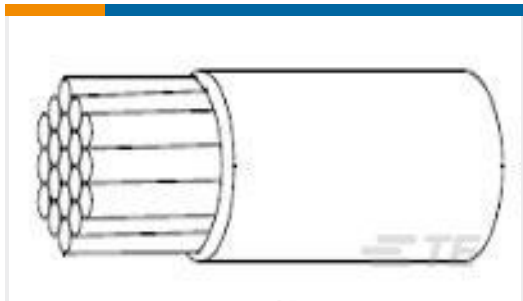


RF Connector Shrouds(10)

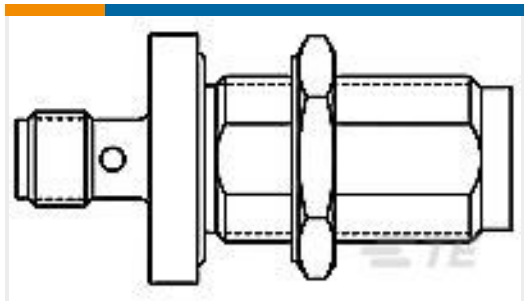


RF Connectors(527)

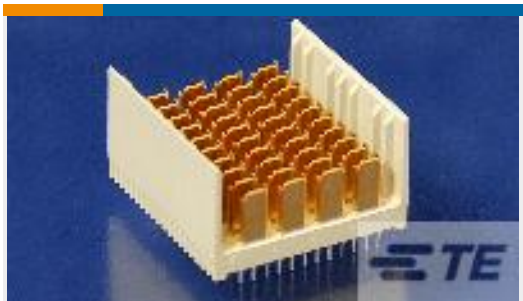
### Customers Also Bought



TE Part #E83637-000  
55A0111-8-45



TE Part #1059172-1  
4184 2240 00



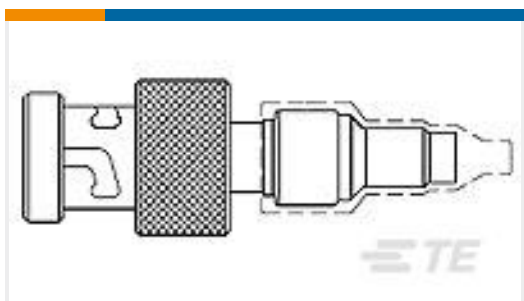
TE Part #1469074-1  
HM-ZD 4PR HDR ASSY 1.8MM



TE Part #331448-000  
D-500-0263-017



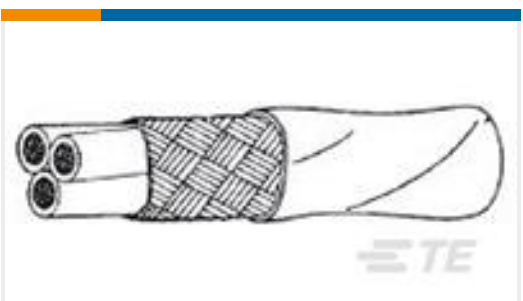
TE Part #146130-6  
14 MODII HDR DRST SFMNT B/A



TE Part #244913-000  
DK-621-0035-2P



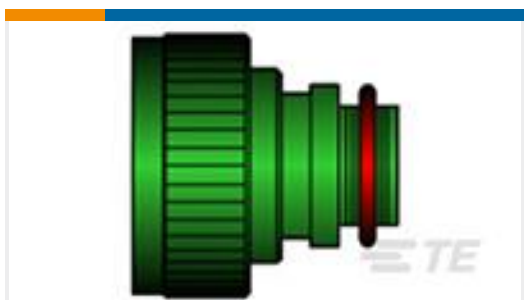
TE Part #1056231-1  
2701 7947 00



TE Part #558015-000  
55PC1132-22-9/93/96-9



TE Part #2-2176377-0  
RQ 0805 210K 0.1% 10PPM 1K RL



TE Part #528541-000  
TXR40BW00-2016AI

### Documents



### Product Drawings

[2082 2249 02](#)

English

---

### CAD Files

[3D PDF](#)

3D

Customer View Model

[ENG\\_CVM\\_CVM\\_1053780-1\\_A.2d\\_dxf.zip](#)

English

Customer View Model

[ENG\\_CVM\\_CVM\\_1053780-1\\_A.3d\\_igs.zip](#)

English

Customer View Model

[ENG\\_CVM\\_CVM\\_1053780-1\\_A.3d\\_stp.zip](#)

English

By downloading the CAD file I accept and agree to the [Terms and Conditions](#) of use.

---

### Datasheets & Catalog Pages

[SMA Connectors](#)

English

[Snap Lock SMA Datasheet 3-1773447-4](#)

English

---

### Product Specifications

[Product Specification](#)

English

[Product Specification](#)

English