

1053492-1 ✓ ACTIVE



AMP SMA

TE Internal #: 1053492-1

AMP SMA, In-Series Adapters, SMA, Straight, Beryllium Copper, Gold over Copper, 50 Ω , Cable-to-Cable, 1 Position, Wire & Cable, Power & Signal

[View on TE.com >](#)

Connectors > RF Coax Connectors > RF Adapters > In-Series Adapters



RF Connector Type: **SMA**

Body Angle: **Straight**

RF Connector Center Contact Material: **Beryllium Copper**

RF Connector Center Contact Plating Material: **Gold over Copper**

Impedance: **50 Ω**

Features

Product Type Features

Isolated Ground	No
RF Connector Type	SMA
Connector System	Cable-to-Cable
Sealable	No
Connector & Contact Terminates To	Wire & Cable

Configuration Features

Number of Positions	1
---------------------	---

Electrical Characteristics

Impedance	50 Ω
-----------	-------------

Signal Characteristics

Frequency	18 GHz
-----------	--------

Body Features

Body Insulation	Without
-----------------	---------



Body Material	Stainless Steel
---------------	-----------------

Body Plating Material	Gold
-----------------------	------

Body Angle	Straight
------------	----------

Contact Features

RF Connector Center Contact Material	Beryllium Copper
--------------------------------------	------------------

RF Connector Center Contact Plating Material	Gold over Copper
--	------------------

Mechanical Attachment

Connector Mounting Type	Bulkhead
-------------------------	----------

Dimensions

Length	12.7 mm[.5 in]
--------	----------------

Usage Conditions

Operating Temperature Range	-65 – 165 °C[-85 – 329 °F]
-----------------------------	----------------------------

Operation/Application

Circuit Application	Power & Signal
---------------------	----------------

Packaging Features

Packaging Method	Bag
------------------	-----

Other

Dielectric Material	TFE Fluorocarbon
---------------------	------------------

Product Compliance

[For compliance documentation, visit the product page on TE.com>](#)

EU RoHS Directive 2011/65/EU	Compliant with Exemptions
------------------------------	---------------------------

EU ELV Directive 2000/53/EC	Compliant with Exemptions
-----------------------------	---------------------------

China RoHS 2 Directive MIIT Order No 32, 2016	Restricted Materials Above Threshold
---	--------------------------------------

EU REACH Regulation (EC) No. 1907/2006	<p>Current ECHA Candidate List: JAN 2021 (211) Candidate List Declared Against: JAN 2021 (211) SVHC > Threshold: Pb (.6% in Component Part)</p>
--	---

Article Safe Usage Statements:

Do not eat, drink or smoke when using this product. Wash thoroughly after handling. Recycle if possible and dispose of the article by following all applicable governmental regulations relevant to your geographic location.

Halogen Content	Low Bromine/Chlorine - Br and Cl < 900 ppm per homogenous material. Also BFR /CFR/PVC Free
-----------------	--



Solder Process Capability

Not applicable for solder process capability

Product Compliance Disclaimer

This information is provided based on reasonable inquiry of our suppliers and represents our current actual knowledge based on the information they provided. This information is subject to change. The part numbers that TE has identified as EU RoHS compliant have a maximum concentration of 0.1% by weight in homogenous materials for lead, hexavalent chromium, mercury, PBB, PBDE, DBP, BBP, DEHP, DIBP, and 0.01% for cadmium, or qualify for an exemption to these limits as defined in the Annexes of Directive 2011/65/EU (RoHS2). Finished electrical and electronic equipment products will be CE marked as required by Directive 2011/65/EU. Components may not be CE marked. Additionally, the part numbers that TE has identified as EU ELV compliant have a maximum concentration of 0.1% by weight in homogenous materials for lead, hexavalent chromium, and mercury, and 0.01% for cadmium, or qualify for an exemption to these limits as defined in the Annexes of Directive 2000/53/EC (ELV). Regarding the REACH Regulation, the information TE provides on SVHC in articles for this part number is based on the latest European Chemicals Agency (ECHA) 'Guidance on requirements for substances in articles' posted at this URL: <https://echa.europa.eu/guidance-documents/guidance-on-reach>

Compatible Parts



TE Part # 1051644-1
2031 5003 02



TE Part # 1050548-1
2001 5032 02



TE Part # 1050525-1
2001 5003 02,SMA CABLE PLUG



TE Part # 1051151-1
2007 7941 02,SMA RA CABLE PLUG



TE Part # 1051638-1
2031 5002 00



TE Part # 1052067-1
2037 5006 02,SMA RA CABLE PLUG



TE Part # 1052076-1
2037 5008 02



TE Part # 1056456-1
2837 7316 02



TE Part # 1056462-1
2837 7388 02



TE Part # 1051157-1
2007 7985 02,SMA RA CABLE PLUG

Also in the Series | **AMP SMA**



Battery Holders(1)



Between Series Adapters(3)



Coax Contacts(1)



Coax Terminators(1)



In-Series Adapters(35)



Rack & Panel Ferrules & Inserts(1)



RF Cable Assemblies(2)



RF Connector Hardware(2)



RF Connector Launchers(13)

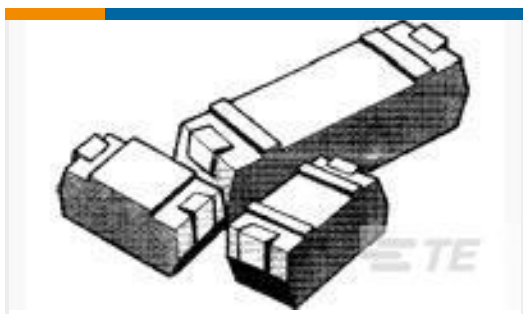


RF Connector Shrouds(10)

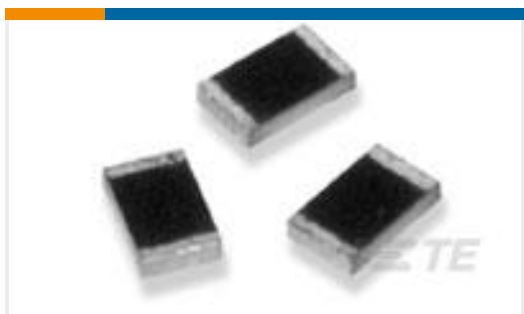


RF Connectors(527)

Customers Also Bought



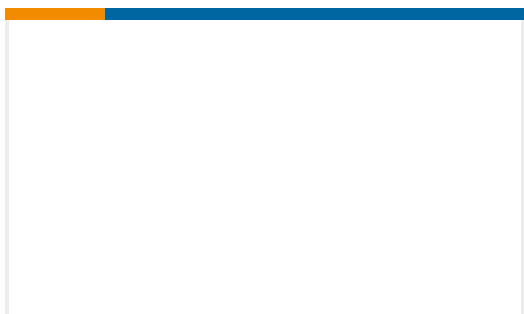
TE Part #1624256-1
SL1 R033 5% TAPED



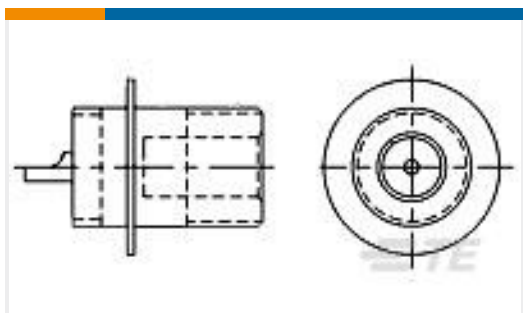
TE Part #2-1879266-2
RP 2B 365K 0.1% 15PPM CUT LENGTH



TE Part #186363-000
B-501-01



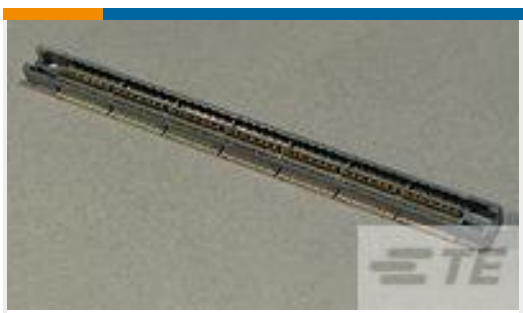
TE Part #ZPF00000000015363
DMC-M 80 W 01



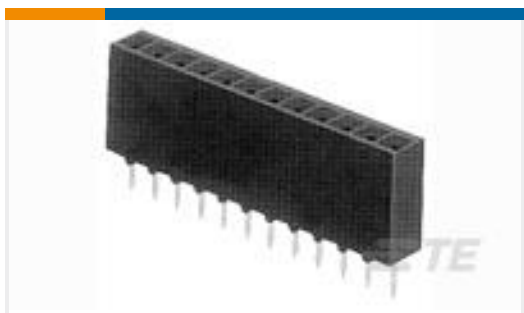
TE Part #445159-1
RECPT, LGH 1/4



TE Part #445162-2
LGH 1/4 LEAD ASSY



TE Part #2-767004-8
MICT,RECPT,266,ASSY,.025,REC



TE Part #3-87879-8
MOD VRT 100CL/135TN/5 POS



Documents

Product Drawings

[2080 1900 00](#)

English

CAD Files

[3D PDF](#)

3D

Customer View Model

[ENG_CVM_CVM_1053492-1_A.2d_dxf.zip](#)

English

Customer View Model

[ENG_CVM_CVM_1053492-1_A.3d_igs.zip](#)

English

By downloading the CAD file I accept and agree to the [Terms and Conditions](#) of use.

Product Specifications

[Product Specification](#)

English

[Product Specification](#)

English