

5414265-3 ✓ ACTIVE

TE Internal #: 5414265-3

RF Connectors, BNC RF Interface, Plug, RF Connector Mated Outer

Diameter (Approximate) .572 in [14.53 mm], 50 Ω, RG 59

Compatible With RF Cable Type

[View on TE.com >](#)



Connectors > RF Coax Connectors > RF Connectors



RF Interface: **BNC**

RF Connector Style: **Plug**

RF Connector Mated Outer Diameter (Approximate): **14.53 mm [.572 in]**

Impedance: **50 Ω**

Compatible With RF Cable Type: **RG 59**

Features

Product Type Features

| | |
|-----------------------------------|----------------|
| RF Interface | BNC |
| RF Connector Style | Plug |
| Compatible With RF Cable Type | RG 59 |
| Connector System | Cable-to-Board |
| Sealable | Yes |
| Connector & Contact Terminates To | Wire & Cable |
| Connector Seal Type | Gasket |

Configuration Features

| | |
|----------------------------|---|
| Number of Positions | 1 |
| Number of Coaxial Contacts | 1 |

Electrical Characteristics

| | |
|-----------|------|
| Impedance | 50 Ω |
|-----------|------|

Body Features

| | |
|-----------------------------|----------|
| Body Insulation | Without |
| Cable Connector Orientation | Straight |
| Body Material | Zinc |
| Body Plating Material | Nickel |

Contact Features

| | |
|--|--|
| | |
|--|--|



| | |
|---|-----------------|
| RF Connector Center Contact Underplating Material | Nickel |
| | 699 μ m |
| Crimp Type | Twist-On |
| RF Connector Center Contact Plating Material | Gold |
| RF Connector Center Contact Material | Phosphor Bronze |

Termination Features

| | |
|------------------------------------|-------|
| Termination Method to Wire & Cable | Crimp |
|------------------------------------|-------|

Mechanical Attachment

| | |
|---------------------------------|-------------|
| PCB Mount Retention | Without |
| RF Connector Coupling Mechanism | Bayonet |
| Connector Mounting Type | Panel Mount |
| RF Contact Captivation Method | Mechanical |
| Detent | Without |

Dimensions

| | |
|---|--------------------|
| RF Connector Mated Outer Diameter (Approximate) | 14.53 mm [.572 in] |
|---|--------------------|

Usage Conditions

| | |
|-----------------------------|----------------------------|
| Operating Temperature Range | -55 – 85 °C [-67 – 185 °F] |
|-----------------------------|----------------------------|

Operation/Application

| | |
|---------------------|-------|
| Operating Frequency | 4 GHz |
|---------------------|-------|

Packaging Features

| | |
|------------------|--------|
| Packaging Method | Carton |
|------------------|--------|

Other

| | |
|---------------------|-------------------|
| Grade | Commercial |
| Dielectric Material | Polymethylpentene |

Product Compliance

[For compliance documentation, visit the product page on TE.com>](#)

| | |
|---|---|
| EU RoHS Directive 2011/65/EU | Compliant with Exemptions |
| EU ELV Directive 2000/53/EC | Compliant with Exemptions |
| China RoHS 2 Directive MIIT Order No 32, 2016 | Restricted Materials Above Threshold |
| EU REACH Regulation (EC) No. 1907/2006 | Current ECHA Candidate List: JAN 2021 (211) |



Candidate List Declared Against: JAN 2021 (211)

SVHC > Threshold:

Pb (4% in Component Part)

Article Safe Usage Statements:

Do not eat, drink or smoke when using this product. Wash thoroughly after handling. Recycle if possible and dispose of the article by following all applicable governmental regulations relevant to your geographic location.

Halogen Content BFR/CFR/PVC Free, but Br/Cl >900 ppm in other sources.

Solder Process Capability Not applicable for solder process capability

Product Compliance Disclaimer

This information is provided based on reasonable inquiry of our suppliers and represents our current actual knowledge based on the information they provided. This information is subject to change. The part numbers that TE has identified as EU RoHS compliant have a maximum concentration of 0.1% by weight in homogenous materials for lead, hexavalent chromium, mercury, PBB, PBDE, DBP, BBP, DEHP, DIBP, and 0.01% for cadmium, or qualify for an exemption to these limits as defined in the Annexes of Directive 2011/65/EU (RoHS2). Finished electrical and electronic equipment products will be CE marked as required by Directive 2011/65/EU. Components may not be CE marked. Additionally, the part numbers that TE has identified as EU ELV compliant have a maximum concentration of 0.1% by weight in homogenous materials for lead, hexavalent chromium, and mercury, and 0.01% for cadmium, or qualify for an exemption to these limits as defined in the Annexes of Directive 2000/53/EC (ELV). Regarding the REACH Regulation, the information TE provides on SVHC in articles for this part number is based on the latest European Chemicals Agency (ECHA) 'Guidance on requirements for substances in articles' posted at this URL: <https://echa.europa.eu/guidance-documents/guidance-on-reach>

Compatible Parts



TE Part # CAT-076-BNCJKISG50
BNC RF Connector: Male (Jack) Assembly, Isolated Ground Protection, 50 Ohm



TE Part # CAT-076-BNCVTBAY
BNC Vertical Male (Jack) RF Connector, 50 Ohm, Bayonet Coupling Mechanism



TE Part # CAT-076-BNCRABAY
BNC Right Angle M Jack RF Connector, 50 Ohm, Bayonet Coupling Mechanism



TE Part # CAT-076-BNCJKSH50
BNC RF Connector: Male (Jack) assembly - short, 50 Ohm, 4Ghz



TE Part # 1-1337543-0
BNC Ins R/A PCB Skt 50Ohm White



TE Part # 1-1337494-0
BNC R/A Shld PCB Skt 50Ohm Nickel Pltd



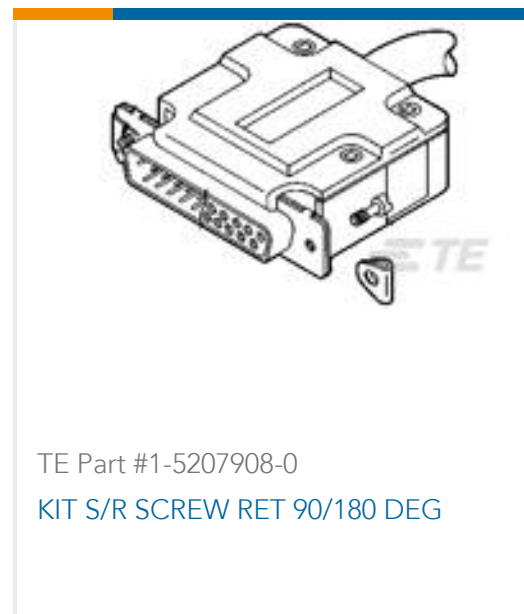
TE Part # 2-5221128-1
PLUG,COMMERCIAL BNC



TE Part # 1-1337542-0
BNC Ins LP PCB Skt 50Ohm White



Customers Also Bought





Documents

Product Drawings

PLUG, TWIST ON, COML BNC

English

CAD Files

3D PDF

3D

Customer View Model

[ENG_CVM_CVM_5414265-3_A.2d_dxf.zip](#)

English

Customer View Model

[ENG_CVM_CVM_5414265-3_A.3d_igs.zip](#)

English

Customer View Model

[ENG_CVM_CVM_5414265-3_A.3d_stp.zip](#)

English

By downloading the CAD file I accept and agree to the [Terms and Conditions](#) of use.

Datasheets & Catalog Pages

BNC Connectors

English