

5-1634504-1 ✓ ACTIVE



TE Internal #: 5-1634504-1

RF Connectors, BNC RF Interface, Jack, RF Connector Mated Outer

Diameter (Approximate) .572 in [14.53 mm], 50 Ω, Bayonet, 4GHz

Operating Frequency

[View on TE.com >](#)

Connectors > RF Coax Connectors > RF Connectors



RF Interface: **BNC**

RF Connector Style: **Jack**

RF Connector Mated Outer Diameter (Approximate): **14.53 mm [.572 in]**

Impedance: **50 Ω**

RF Connector Coupling Mechanism: **Bayonet**

Features

Product Type Features

RF Interface	BNC
RF Connector Style	Jack
Connector System	Cable-to-Panel
Sealable	No

Configuration Features

Number of Positions	1
Number of Coaxial Contacts	1

Electrical Characteristics

Impedance	50 Ω
-----------	------

Body Features

Body Insulation	With
Body Shape	Circular
Cable Connector Orientation	Straight
Body Material	Zinc



Body Material Finish	Plated
----------------------	--------

Body Plating Material	Nickel
-----------------------	--------

Contact Features

RF Connector Center Contact Underplating Material	Copper, Nickel
---	----------------

RF Connector Center Contact Plating Material	Gold
--	------

RF Connector Center Contact Material	Phosphor Bronze
--------------------------------------	-----------------

Termination Features

Termination Method to Wire & Cable	Solder Terminal
------------------------------------	-----------------

Mechanical Attachment

Panel Attachment Style	Front Mount
------------------------	-------------

PCB Mount Retention	Without
---------------------	---------

Panel Mount Feature Type	Hex Nut
--------------------------	---------

RF Connector Coupling Mechanism	Bayonet
---------------------------------	---------

Connector Mounting Type	Panel Mount
-------------------------	-------------

RF Contact Captivation Method	Solder
-------------------------------	--------

Detent	With
--------	------

Housing Features

Housing Color	White
---------------	-------

Dimensions

Flange Diameter	12.7 mm[.5 in]
-----------------	----------------

Panel Cutout	8.7 x 9.6mm D-Shape
--------------	---------------------

Panel Thickness (Recommended)	1.5 – 3.2 mm[.059 – .126 in]
-------------------------------	------------------------------

RF Connector Mated Outer Diameter (Approximate)	14.53 mm[.572 in]
---	-------------------

Usage Conditions

Operating Temperature Range	-55 – 85 °C[-67 – 185 °F]
-----------------------------	---------------------------

Operation/Application

Operating Frequency	4 GHz
---------------------	-------

Packaging Features

Packaging Method	Single Pack
------------------	-------------

Other

Grade	Commercial
-------	------------



Comment	With Ground Tab
Additional Features	Hardware Included
Dielectric Material	Polyester, PBT

Product Compliance

[For compliance documentation, visit the product page on TE.com>](#)

EU RoHS Directive 2011/65/EU	Compliant
EU ELV Directive 2000/53/EC	Compliant
China RoHS 2 Directive MIIT Order No 32, 2016	No Restricted Materials Above Threshold
EU REACH Regulation (EC) No. 1907/2006	Current ECHA Candidate List: JAN 2021 (211) Candidate List Declared Against: JAN 2021 (211) Does not contain REACH SVHC
Halogen Content	Low Halogen - Br, Cl, F, I < 900 ppm per homogenous material. Also BFR/CFR/PVC Free
Solder Process Capability	Wave solder capable to 265°C

Product Compliance Disclaimer

This information is provided based on reasonable inquiry of our suppliers and represents our current actual knowledge based on the information they provided. This information is subject to change. The part numbers that TE has identified as EU RoHS compliant have a maximum concentration of 0.1% by weight in homogenous materials for lead, hexavalent chromium, mercury, PBB, PBDE, DBP, BBP, DEHP, DIBP, and 0.01% for cadmium, or qualify for an exemption to these limits as defined in the Annexes of Directive 2011/65/EU (RoHS2). Finished electrical and electronic equipment products will be CE marked as required by Directive 2011/65/EU. Components may not be CE marked. Additionally, the part numbers that TE has identified as EU ELV compliant have a maximum concentration of 0.1% by weight in homogenous materials for lead, hexavalent chromium, and mercury, and 0.01% for cadmium, or qualify for an exemption to these limits as defined in the Annexes of Directive 2000/53/EC (ELV). Regarding the REACH Regulation, the information TE provides on SVHC in articles for this part number is based on the latest European Chemicals Agency (ECHA) 'Guidance on requirements for substances in articles' posted at this URL: <https://echa.europa.eu/guidance-documents/guidance-on-reach>

Compatible Parts



TE Part # CAT-076-BNCJKISG50
BNC RF Connector: Male (Jack) Assembly, Isolated Ground Protection, 50 Ohm



TE Part # CAT-076-BNCJKSH50
BNC RF Connector: Male (Jack) assembly - short, 50 Ohm, 4Ghz



TE Part # 2-5221128-1
PLUG,COMMERCIAL BNC



TE Part # 5-1634516-1
BNC RM BHI Hex 50Ohm Nickel Pltd RG58C/U




TE Part # 5-1634500-2
BNC Str Plg Hex 50Ohm Nickel Pltd
RG58C/



TE Part # 5413959-1
PLUG RTANG BNC HEX 50 OHM



TE Part # 5413959-3
BNC HEX RT ANG PLUG 50 OHM



TE Part # 5413771-3
JACK BLKHD,COML BNC,HEX CRIMP



TE Part # 5227079-5
COMM BNC PLUG



TE Part # 1-5221128-0
PLUG,COMMERCIAL BNC



TE Part # 5228980-5
JACK,BULKHEAD,COM'L,BNC



TE Part # 8-5227079-2
COMM BNC PLUG



TE Part # 5413779-3
COML BNC,50 OHM, HEX CRIMP



TE Part # 5227079-7
COMM. BNC-PLUG



TE Part # 1-5227079-9
COMM BNC PLUG



TE Part # 1-221128-0
PLUG,COMMERCIAL BNC



TE Part # 1-5221128-1
PLUG,COMMERCIAL BNC



TE Part # 1-5227079-1
COMM BNC PLUG



TE Part # 2-5221128-3
PLUG,COMMERCIAL BNC



TE Part # 2-5221128-7
PLUG,COMMERCIAL BNC

Customers Also Bought



TE Part #1609989-6
CORCOM BCF SERIES 3-PHASE
FILTERS



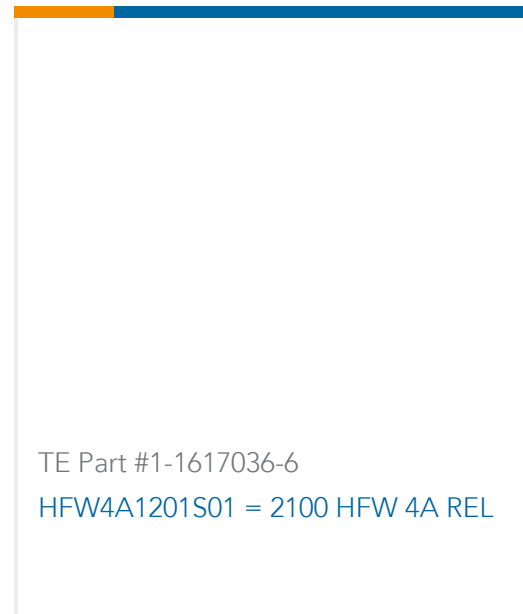
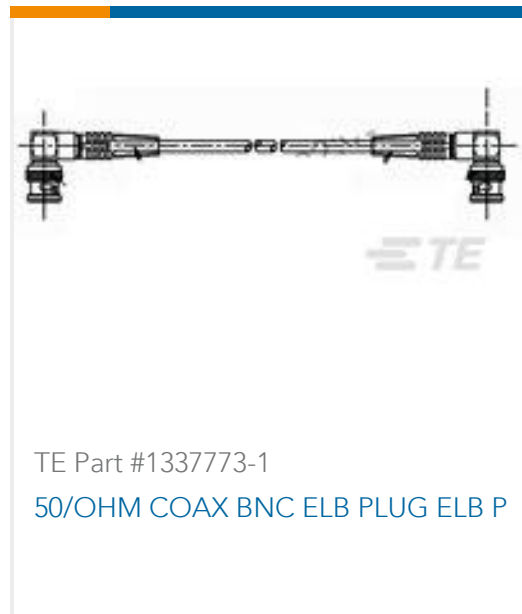
TE Part #1487588-2
USB, A-B, 28/24, WHITE, 1.5M



TE Part #1-1634817-0
BNC / TNC Lockwasher



TE Part #1618274-1
HC-1=RELAY, VACUUM, SPDT



Documents

Product Drawings

[BNC Ins BHSkt 50Ohm Nickel Gold Pltd](#)

English

CAD Files

[3D PDF](#)

3D

Customer View Model

[ENG_CVM_CVM_5-1634504-1_B.2d_dxf.zip](#)

English

Customer View Model

[ENG_CVM_CVM_5-1634504-1_B.3d_igs.zip](#)

English

Customer View Model

[ENG_CVM_CVM_5-1634504-1_B.3d_stp.zip](#)

English

By downloading the CAD file I accept and agree to the [Terms and Conditions](#) of use.

Datasheets & Catalog Pages

[ZDC_RF_COAX_CONNECTOR_SERIES_50&75_OHM](#)

English

Product Specifications

[Economy RF Coaxial Connectors](#)

English

[Product Specification](#)

English

5-1634504-1

RF Connectors, BNC RF Interface, Jack, RF Connector Mated Outer Diameter (Approximate) .572 in [14.53 mm], 50 Ω , Bayonet, 4GHz Operating Frequency

