

5-1634502-2 ✓ ACTIVE

TE Internal #: 5-1634502-2

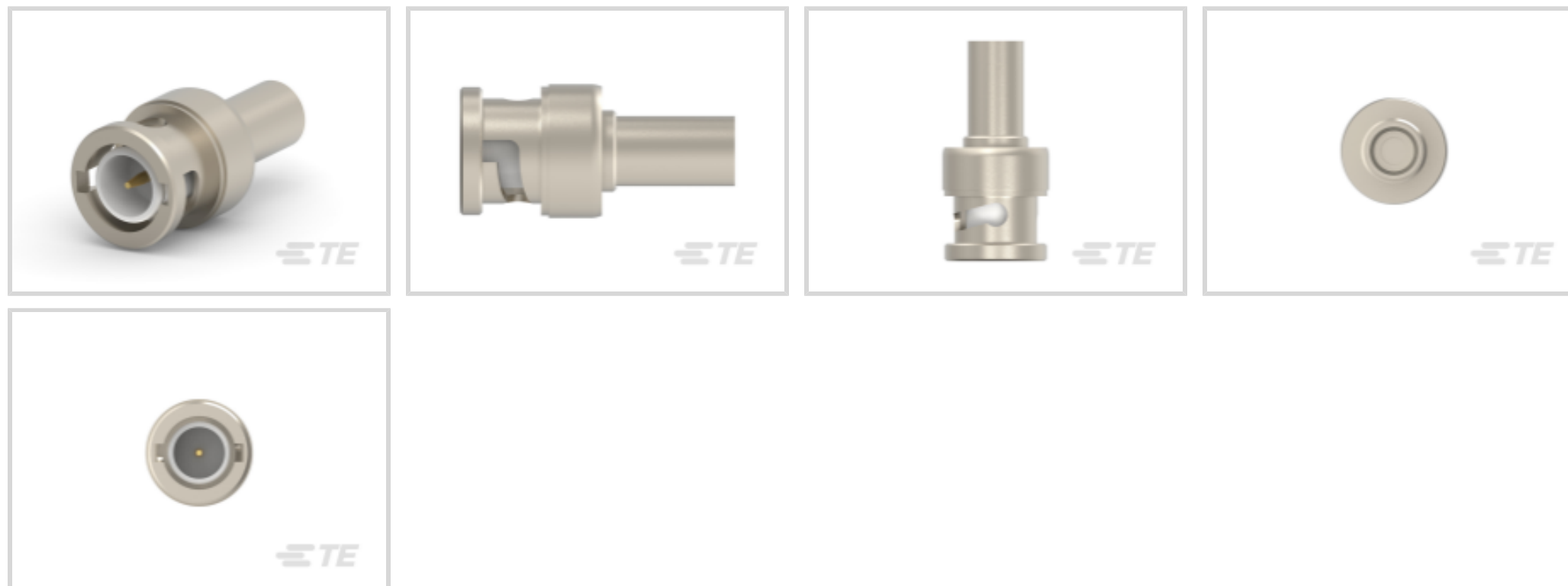
RF Connectors, BNC RF Interface, Plug, RF Connector Mated Outer

Diameter (Approximate) .572 in [14.53 mm], 75 Ω

[View on TE.com >](#)



Connectors > RF Coax Connectors > RF Connectors



RF Interface: **BNC**

RF Connector Style: **Plug**

RF Connector Mated Outer Diameter (Approximate): **14.53 mm [.572 in]**

Impedance: **75 Ω**

Compatible With RF Cable Type: **KX 25, KX 52, KX 53, KX 6A, RG 140, RG 210, RG 59B, RG 62A, URM 90**

Features

Product Type Features

| | |
|-----------------------------------|--|
| RF Interface | BNC |
| RF Connector Style | Plug |
| Compatible With RF Cable Type | KX 25, KX 52, KX 53, KX 6A, RG 140, RG 210, RG 59B, RG 62A, URM 90 |
| Connector System | Cable-to-Cable |
| Sealable | Yes |
| Connector & Contact Terminates To | Wire & Cable |
| Connector Seal Type | Gasket |

Configuration Features

| | |
|----------------------------|---|
| Number of Positions | 1 |
| Number of Coaxial Contacts | 1 |

Electrical Characteristics

| | |
|-----------|------|
| Impedance | 75 Ω |
|-----------|------|

Body Features

| | |
|-----------------|------|
| Body Insulation | With |
|-----------------|------|



| | |
|------------|----------|
| Body Shape | Circular |
|------------|----------|

| | |
|-----------------------------|----------|
| Cable Connector Orientation | Straight |
|-----------------------------|----------|

| | |
|---------------|------|
| Body Material | Zinc |
|---------------|------|

| | |
|----------------------|--------|
| Body Material Finish | Plated |
|----------------------|--------|

| | |
|-----------------------|--------|
| Body Plating Material | Nickel |
|-----------------------|--------|

Contact Features

| | |
|---|----------------|
| RF Connector Center Contact Underplating Material | Copper, Nickel |
|---|----------------|

| | |
|------------|-----|
| Crimp Type | Hex |
|------------|-----|

| | |
|--|------|
| RF Connector Center Contact Plating Material | Gold |
|--|------|

| | |
|--------------------------------------|-------|
| RF Connector Center Contact Material | Brass |
|--------------------------------------|-------|

Termination Features

| | |
|------------------------------------|-------|
| Termination Method to Wire & Cable | Crimp |
|------------------------------------|-------|

Mechanical Attachment

| | |
|---------------------------------|---------|
| RF Connector Coupling Mechanism | Bayonet |
|---------------------------------|---------|

| | |
|-------------------------------|------------|
| RF Contact Captivation Method | Mechanical |
|-------------------------------|------------|

| | |
|--------|---------|
| Detent | Without |
|--------|---------|

Dimensions

| | |
|---|--------------------|
| RF Connector Mated Outer Diameter (Approximate) | 14.53 mm [.572 in] |
|---|--------------------|

Usage Conditions

| | |
|-----------------------------|----------------------------|
| Operating Temperature Range | -55 – 85 °C [-67 – 185 °F] |
|-----------------------------|----------------------------|

Operation/Application

| | |
|---------------------|-------|
| Operating Frequency | 2 GHz |
|---------------------|-------|

Packaging Features

| | |
|--------------------|-----|
| Packaging Quantity | 100 |
|--------------------|-----|

| | |
|------------------|-----------------|
| Packaging Method | Box, Box & Tray |
|------------------|-----------------|

Other

| | |
|-------|------------|
| Grade | Commercial |
|-------|------------|

| | |
|----------------------------|------|
| Coupling Nut Base Material | Zinc |
|----------------------------|------|

| | |
|---------------------|-------------------|
| Dielectric Material | Polymethylpentene |
|---------------------|-------------------|

Product Compliance

[For compliance documentation, visit the product page on TE.com>](#)



| | |
|---|---|
| EU RoHS Directive 2011/65/EU | Compliant with Exemptions |
| EU ELV Directive 2000/53/EC | Compliant with Exemptions |
| China RoHS 2 Directive MIIT Order No 32, 2016 | Restricted Materials Above Threshold |
| EU REACH Regulation (EC) No. 1907/2006 | Current ECHA Candidate List: JAN 2021 (211) Candidate List Declared Against: JUL 2019 (201) SVHC > Threshold: Pb (3.52% in Component Part) Article Safe Usage Statements: Do not eat, drink or smoke when using this product. Wash thoroughly after handling. Recycle if possible and dispose of the article by following all applicable governmental regulations relevant to your geographic location. |
| Halogen Content | Low Halogen - Br, Cl, F, I < 900 ppm per homogenous material. Also BFR/CFR/PVC Free |
| Solder Process Capability | Not applicable for solder process capability |

Product Compliance Disclaimer

This information is provided based on reasonable inquiry of our suppliers and represents our current actual knowledge based on the information they provided. This information is subject to change. The part numbers that TE has identified as EU RoHS compliant have a maximum concentration of 0.1% by weight in homogenous materials for lead, hexavalent chromium, mercury, PBB, PBDE, DBP, BBP, DEHP, DIBP, and 0.01% for cadmium, or qualify for an exemption to these limits as defined in the Annexes of Directive 2011/65/EU (RoHS2). Finished electrical and electronic equipment products will be CE marked as required by Directive 2011/65/EU. Components may not be CE marked. Additionally, the part numbers that TE has identified as EU ELV compliant have a maximum concentration of 0.1% by weight in homogenous materials for lead, hexavalent chromium, and mercury, and 0.01% for cadmium, or qualify for an exemption to these limits as defined in the Annexes of Directive 2000/53/EC (ELV). Regarding the REACH Regulation, the information TE provides on SVHC in articles for this part number is based on the latest European Chemicals Agency (ECHA) 'Guidance on requirements for substances in articles' posted at this URL: <https://echa.europa.eu/guidance-documents/guidance-on-reach>

Compatible Parts



TE Part # CAT-076-BNCVTBAY
BNC Vertical Male (Jack) RF Connector, 50 Ohm, Bayonet Coupling Mechanism



TE Part # CAT-076-BNCJKRA75C
BNC RF Connector: Male (Jack), Right-angle, 75 Ohm



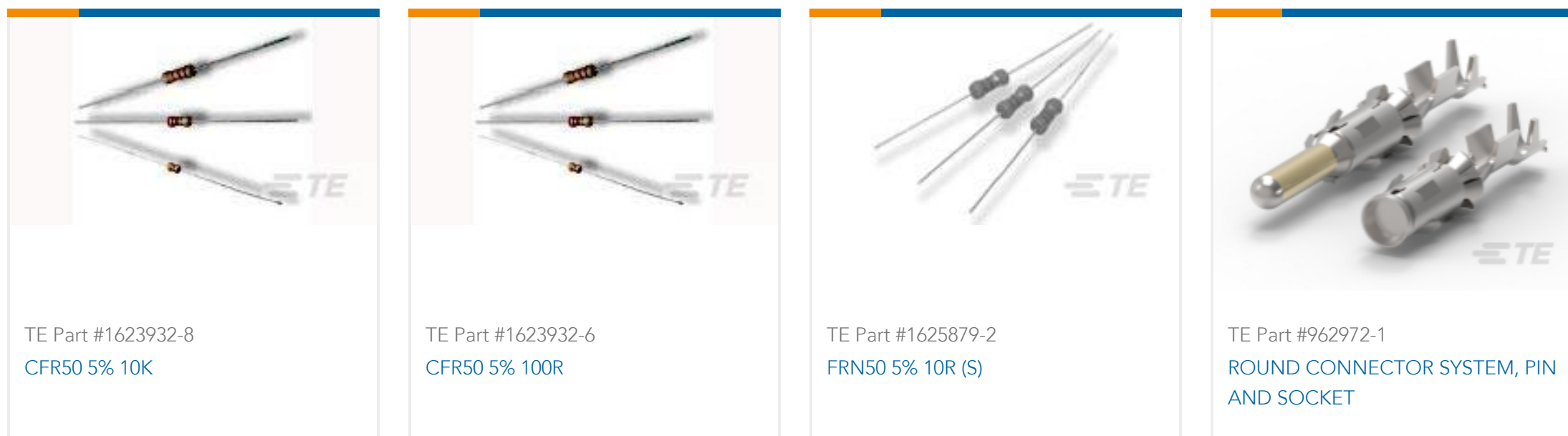
TE Part # CAT-076-BNCJKRA752
BNC RF Connector: Male (Jack), Right-angle, 75 Ohm, 2 Ghz



TE Part # CAT-076-BNCJKRA754
BNC RF Connector: Male (Jack), Right-angle, 75 Ohm, 4 Ghz



Customers Also Bought





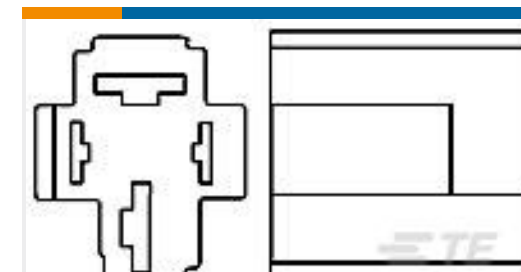
TE Part #1-1579007-7
EXTRACTION TOOL



TE Part #160136
TERM, RING, PLASTI-GRIP, 16-14, M10



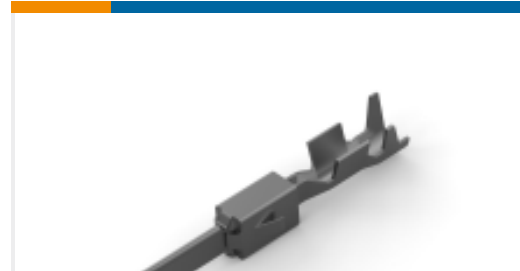
TE Part #1393304-9
V23134J1052D642-EV-CBOX



TE Part #1393310-4
VCF7-1000=FROM SEC



TE Part #1-1478996-6
Cable Boot Black RG174, 179, 187,
188, 3



TE Part #1-963746-1
SPECIAL TERMINAL 17-13 AWG PTPB
LP

Documents

Product Drawings

[BNC Str Plg Hex 75Ohm Nickel Pltd RG59B/](#)

English

CAD Files

[3D PDF](#)

3D

Customer View Model

[ENG_CVM_CVM_5-1634502-2_D.2d_dxf.zip](#)

English

Customer View Model

[ENG_CVM_CVM_5-1634502-2_D.3d_igs.zip](#)

English

Customer View Model

[ENG_CVM_CVM_5-1634502-2_D.3d_stp.zip](#)

English

By downloading the CAD file I accept and agree to the [Terms and Conditions](#) of use.

Datasheets & Catalog Pages

[ZDC_RF_COAX_CONNECTOR_SERIES_50&75_OHM](#)

English

Product Specifications

[Economy RF Coaxial Connectors](#)

English

[Product Specification](#)

English

5-1634502-2

RF Connectors, BNC RF Interface, Plug, RF Connector Mated Outer Diameter
(Approximate) .572 in [14.53 mm], 75 Ω

