

2-5329083-1 ✓ ACTIVE

TE Internal #: 2-5329083-1

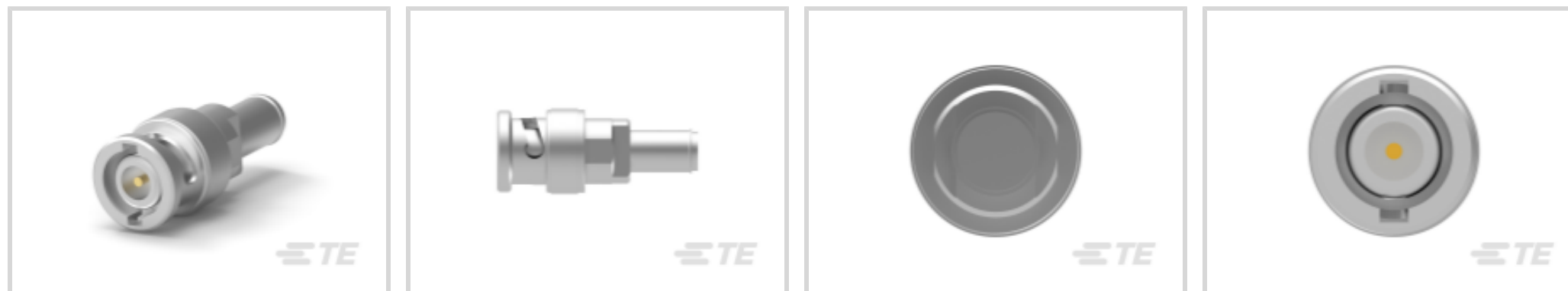
RF Connectors, BNC RF Interface, Plug, RF Connector Mated Outer

Diameter (Approximate) .572 in [14.53 mm], 50 Ω

[View on TE.com >](#)



Connectors > RF Coax Connectors > RF Connectors > BNC RF Connector: Plug Kit, Straight, 4 GHz, Military Grade



RF Interface: **BNC**

RF Connector Style: **Plug**

RF Connector Mated Outer Diameter (Approximate): **14.53 mm [.572 in]**

Impedance: **50 Ω**

Compatible With RF Cable Type: **RG 124, RG 140, RG 210, RG 59, RG 59A, RG 59B, RG 62, RG 62A, RG 62B**

[All BNC RF Connector: Plug Kit, Straight, 4 GHz, Military Grade \(11\)](#)

Features

Product Type Features

RF Interface	BNC
RF Connector Style	Plug
Compatible With RF Cable Type	RG 124, RG 140, RG 210, RG 59, RG 59A, RG 59B, RG 62, RG 62A, RG 62B
Connector System	Cable-to-Cable
Sealable	Yes
Connector & Contact Terminates To	Wire & Cable
Connector Seal Type	Gasket

Configuration Features

Number of Positions	1
Number of Coaxial Contacts	1

Electrical Characteristics

Impedance	50 Ω
-----------	------

Body Features

Body Insulation	Without
Cable Connector Orientation	Straight
Body Material	Brass



Body Plating Material	Silver
-----------------------	--------

Contact Features

RF Connector Center Contact Underplating Material	Nickel
	889 μin
Crimp Type	Single
RF Connector Center Contact Plating Material	Gold
RF Connector Center Contact Material	Brass

Termination Features

Termination Method to Wire & Cable	Crimp
------------------------------------	-------

Mechanical Attachment

Mating Retention Type	Push On
RF Connector Coupling Mechanism	Bayonet
RF Contact Captivation Method	Mechanical
Detent	Without

Dimensions

RF Connector Mated Outer Diameter (Approximate)	14.53 mm[.572 in]
---	-------------------

Usage Conditions

Operating Temperature Range	-55 – 85 °C[-67 – 185 °F]
-----------------------------	---------------------------

Operation/Application

Operating Frequency	4 GHz
---------------------	-------

Packaging Features

Packaging Method	Carton
------------------	--------

Other

Grade	Military
Coupling Nut Base Material	Brass
Dielectric Material	Polypropylene

Product Compliance

[For compliance documentation, visit the product page on TE.com>](#)

EU RoHS Directive 2011/65/EU	Compliant with Exemptions
EU ELV Directive 2000/53/EC	Compliant with Exemptions
China RoHS 2 Directive MIIT Order No 32, 2016	Restricted Materials Above Threshold

EU REACH Regulation (EC) No. 1907/2006

Current ECHA Candidate List: JAN 2021 (211)

Candidate List Declared Against: JUL 2017 (174)

SVHC > Threshold:
Not Yet Reviewed

Halogen Content

BFR/CFR/PVC Free, but Br/Cl >900 ppm in other sources.

Solder Process Capability

Not applicable for solder process capability

Product Compliance Disclaimer

This information is provided based on reasonable inquiry of our suppliers and represents our current actual knowledge based on the information they provided. This information is subject to change. The part numbers that TE has identified as EU RoHS compliant have a maximum concentration of 0.1% by weight in homogenous materials for lead, hexavalent chromium, mercury, PBB, PBDE, DBP, BBP, DEHP, DIBP, and 0.01% for cadmium, or qualify for an exemption to these limits as defined in the Annexes of Directive 2011/65/EU (RoHS2). Finished electrical and electronic equipment products will be CE marked as required by Directive 2011/65/EU. Components may not be CE marked. Additionally, the part numbers that TE has identified as EU ELV compliant have a maximum concentration of 0.1% by weight in homogenous materials for lead, hexavalent chromium, and mercury, and 0.01% for cadmium, or qualify for an exemption to these limits as defined in the Annexes of Directive 2000/53/EC (ELV). Regarding the REACH Regulations, TE's information on SVHC in articles for this part number is still based on the European Chemical Agency (ECHA) 'Guidance on requirements for substances in articles' (Version: 2, April 2011), applying the 0.1% weight on weight concentration threshold at the finished product level. TE is aware of the European Court of Justice ruling of September 10th, 2015 also known as O5A (Once An Article Always An Article) stating that, in case of 'complex object', the threshold for a SVHC must be applied to both the product as a whole and simultaneously to each of the articles forming part of its composition. TE has evaluated this ruling based on the new ECHA "Guidance on requirements for substances in articles" (June 2017, version 4.0) and will be updating its statements accordingly.

Compatible Parts



TE Part # CAT-076-BNCPK2GMG
BNC RF Connector: Plug Kit, Straight, 2 GHz, Military Grade



TE Part # CAT-076-BNCPK4GMG
BNC RF Connector: Plug Kit, Straight, 4 GHz, Military Grade



TE Part # CAT-076-BNCVTBAY
BNC Vertical Male (Jack) RF Connector, 50 Ohm, Bayonet Coupling Mechanism



TE Part # 5225395-1
BNC PLUG DUAL CRIMP RG58,A,B,C



TE Part # 5227426-1
BNC BLKHD RECPT SEALED



TE Part # 5227079-5
COMM BNC PLUG



TE Part # 5225398-7
BNC DUAL CRIMP JACJ



TE Part # 1-5221128-0
PLUG,COMMERCIAL BNC



TE Part # 1-5225398-5
DUAL CRIMP BNC BLKHD JACK



TE Part # 5225395-7
BNC PLUG DUAL CRIMP RG174,188



TE Part # 5225395-6
BNC PLUG DUAL CP RG142



TE Part # 8-5227079-2
COMM BNC PLUG



TE Part # 330876
BNC PLUG



TE Part # 1058016-1
3252 1201 10



TE Part # 2-5330061-1
BNC PLUG



TE Part # 225974-1
PLUG, RT ANGLE, DUAL CRIMP BNC



TE Part # 5221198-1
JACK,VERT,PCB,TWIN BNC



TE Part # 5225395-8
BNC PLUG DUAL CRIMP RG179, 187



TE Part # 5225396-1
BNC JACK DUAL CP RG58,A,B,C



TE Part # 5225396-7
BNC JACK DUAL CP RG174,188

Customers Also Bought



TE Part #1-66101-9
TYPE III CONTACTS LP



TE Part #2-330062-1
BNC RF Connector Jack Kit, 50 Ohm, 4 Ghz, Military Grade



TE Part #1-1825139-0
A203SYZQ04



TE Part #1-1879417-7
CPF 0603 820K 0.1% 25PPM 1K RL



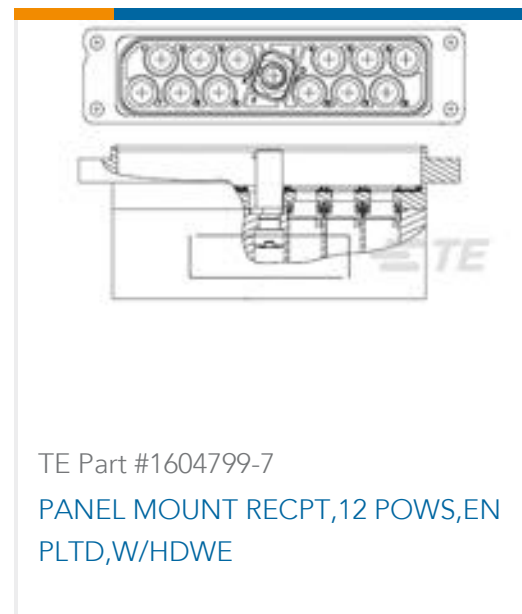
TE Part #1-1393767-8
R10-E2X4-V700=R10



TE Part #2-329083-1
BNC PLUG KIT POLYPROP



TE Part #1423166-8
7024PD=RLY,STD,OFF,4P,125VDC,5



TE Part #1604799-7
PANEL MOUNT RECPT,12 POWS,EN PLTD,W/HDWE



Documents

Product Drawings

BNC PLUG KIT POLYPROP

English

CAD Files

3D PDF

3D

Customer View Model

[ENG_CVM_CVM_2-5329083-1_O.2d_dxf.zip](#)

English

Customer View Model

[ENG_CVM_CVM_2-5329083-1_O.3d_igs.zip](#)

English

Customer View Model

[ENG_CVM_CVM_2-5329083-1_O.3d_stp.zip](#)

English

By downloading the CAD file I accept and agree to the [Terms and Conditions](#) of use.

Product Environmental Compliance

TE Material Declaration

English

Agency Approvals

UL Report

English