

225608-4 ✓ ACTIVE

## AMP SMA

TE Internal #: 225608-4

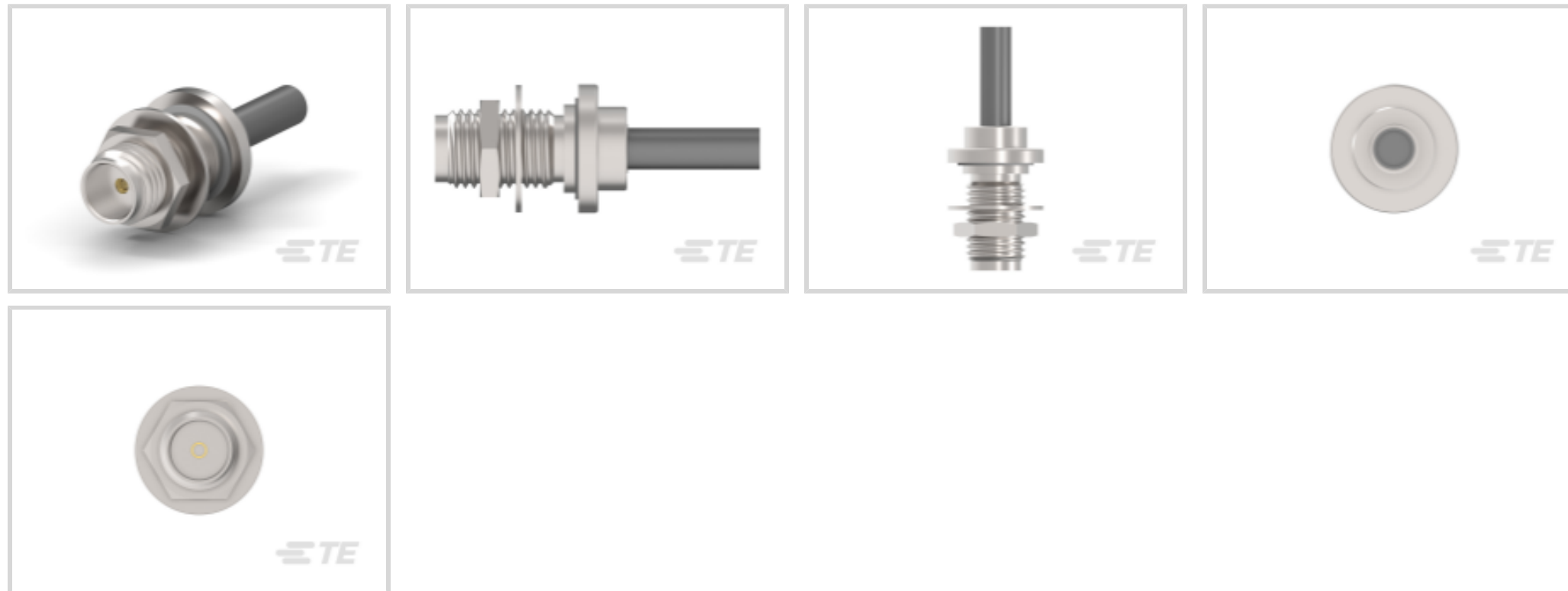
AMP SMA, RF Connectors, SMA RF Interface, Jack, RF Connector

Mated Outer Diameter (Approximate) .25 in [6.35 mm], 50 Ω

[View on TE.com >](#)



Connectors > RF Coax Connectors > RF Connectors



RF Interface: **SMA**

RF Connector Style: **Jack**

RF Connector Mated Outer Diameter (Approximate): **6.35 mm [ .25 in ]**

Impedance: **50 Ω**

Compatible With RF Cable Type: **RG 174, RG 188A, RG 316**

## Features

### Product Type Features

Connector Product Type	Connector Assembly
RF Interface	SMA
RF Connector Style	Jack
Compatible With RF Cable Type	RG 174, RG 188A, RG 316
Connector System	Cable-to-Panel
Sealable	Yes
Connector & Contact Terminates To	Wire & Cable
Connector Seal Type	O-Ring

### Configuration Features

Number of Positions	1
Number of Coaxial Contacts	1

### Electrical Characteristics

Impedance	50 Ω
-----------	------

### Body Features



Cable Connector Orientation	Straight
Body Material	Stainless Steel
Body Material Finish	Passivated

#### Contact Features

RF Connector Center Contact Underplating Material	Nickel
RF Connector Contact Configuration	Not Captivated
Ferrule Material	Copper
RF Connector Center Contact Plating Material	Gold
RF Connector Center Contact Material	Beryllium Copper

#### Termination Features

Termination Method to Wire & Cable	Crimp
------------------------------------	-------

#### Mechanical Attachment

RF Connector Coupling Mechanism	Threaded
Connector Mounting Type	Bulkhead
RF Contact Captivation Method	Mechanical
Detent	Without

#### Dimensions

Panel Thickness (Recommended)	1.4 – 2.62 mm [.055 – .103 in]
Product Length	26.93 mm [1.06 in]
RF Connector Mated Outer Diameter (Approximate)	6.35 mm [.25 in]

#### Usage Conditions

Operating Temperature Range	-65 – 165 °C [-85 – 329 °F]
-----------------------------	-----------------------------

#### Operation/Application

Operating Frequency	11 GHz
---------------------	--------

#### Packaging Features

Packaging Method	Package
------------------	---------

#### Other

Coupling Nut Plating Finish	Passivated
Coupling Nut Base Material	Stainless Steel
Dielectric Material	Fluoropolymer

#### Product Compliance



[For compliance documentation, visit the product page on TE.com>](#)

EU RoHS Directive 2011/65/EU	Compliant with Exemptions
EU ELV Directive 2000/53/EC	Compliant with Exemptions
China RoHS 2 Directive MIIT Order No 32, 2016	Restricted Materials Above Threshold
EU REACH Regulation (EC) No. 1907/2006	Current ECHA Candidate List: JAN 2021 (211) Candidate List Declared Against: JUN 2016 (169) SVHC > Threshold: Not Yet Reviewed
Halogen Content	Low Bromine/Chlorine - Br and Cl < 900 ppm per homogenous material. Also BFR /CFR/PVC Free
Solder Process Capability	Not reviewed for solder process capability

Product Compliance Disclaimer

This information is provided based on reasonable inquiry of our suppliers and represents our current actual knowledge based on the information they provided. This information is subject to change. The part numbers that TE has identified as EU RoHS compliant have a maximum concentration of 0.1% by weight in homogenous materials for lead, hexavalent chromium, mercury, PBB, PBDE, DBP, BBP, DEHP, DIBP, and 0.01% for cadmium, or qualify for an exemption to these limits as defined in the Annexes of Directive 2011/65/EU (RoHS2). Finished electrical and electronic equipment products will be CE marked as required by Directive 2011/65/EU. Components may not be CE marked. Additionally, the part numbers that TE has identified as EU ELV compliant have a maximum concentration of 0.1% by weight in homogenous materials for lead, hexavalent chromium, and mercury, and 0.01% for cadmium, or qualify for an exemption to these limits as defined in the Annexes of Directive 2000/53/EC (ELV). Regarding the REACH Regulations, TE's information on SVHC in articles for this part number is still based on the European Chemical Agency (ECHA) 'Guidance on requirements for substances in articles' (Version: 2, April 2011), applying the 0.1% weight on weight concentration threshold at the finished product level. TE is aware of the European Court of Justice ruling of September 10th, 2015 also known as O5A (Once An Article Always An Article) stating that, in case of 'complex object', the threshold for a SVHC must be applied to both the product as a whole and simultaneously to each of the articles forming part of its composition. TE has evaluated this ruling based on the new ECHA "Guidance on requirements for substances in articles" (June 2017, version 4.0) and will be updating its statements accordingly.

### Compatible Parts

 <p>TE Part # 1051644-1 2031 5003 02</p>	 <p>TE Part # 1055070-1 2088 1230 02</p>	 <p>TE Part # 1054874-1 2084 1100 00</p>	 <p>TE Part # 221789-1 JACK,PCB,SERIES SMA</p>
---	--	---	---

 <p>TE Part # 1052566-1 2052 1618 02,SMA FM JACK RECPT</p>	 <p>TE Part # 1054426-1 2082 5133 02</p>	 <p>TE Part # 221790-1 JACK,RIGHT ANGLE,PCB,SMA</p>	 <p>TE Part # 1054868-1 2084 0000 00</p>
 <p>TE Part # 1053072-1 2056 0000 00</p>	 <p>TE Part # 6274096-1 JACK ASSEMBLY, ACTION PIN, SMA</p>	 <p>TE Part # 1053378-1 2064 0000 00</p>	 <p>TE Part # 1056443-1 2831 7388 02</p>
 <p>TE Part # 1052639-1 2052 3357 02</p>	 <p>TE Part # 2081005-1 ASSY. SMA JACK PCB EDGE MOUNT</p>	 <p>TE Part # 1052422-1 2052 0000 02,SMA FM JACK RECPT</p>	 <p>TE Part # 1053354-1 2062 0000 00,SMA PCB VERT JACK</p>
 <p>TE Part # 1054869-1 2084 0000 02</p>	 <p>TE Part # 1051139-1 2007 7188 00</p>	 <p>TE Part # 1051638-1 2031 5002 00</p>	 <p>TE Part # 1051643-1 2031 5003 00</p>

Also in the Series | AMP SMA

 <p>Battery Holders(1)</p>	 <p>Between Series Adapters(3)</p>	 <p>Coax Contacts(1)</p>	 <p>Coax Terminators(1)</p>
---	---	---	--



In-Series Adapters(35)



Rack & Panel Ferrules & Inserts(1)



RF Cable Assemblies(2)



RF Connector Hardware(2)



RF Connector Launchers(13)



RF Connector Shrouds(10)



RF Connectors(527)

## Customers Also Bought



TE Part #1053786-1  
2082 2320 00



TE Part #1757734-1  
2001 5003 02,SMA CABLE PLUG



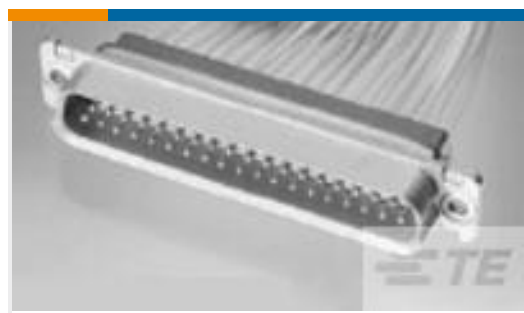
TE Part #2-1393139-0  
MDR-172-1=MDR



TE Part #YDTS26W13-98BNV001  
D38999: Straight Plug, 13-98 Insert



TE Part #1-1617145-1  
JMGAC-26P = M39016/17-036P



TE Part #445010-1  
PLUG ASSY,26 POSN AMPLIMITE



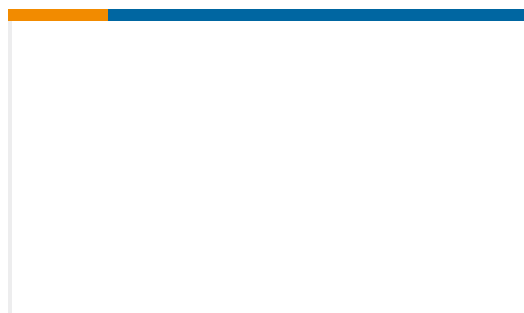
TE Part #449529-1  
JACK,2.8 BLINDMATE



TE Part #1-1616043-0  
B140V=RELAY



TE Part #1-1616933-6  
D7PH=RELAY



TE Part #1-1617787-4  
FCB-405-0524L=M83536/5-024L

## Documents



### Product Drawings

#### SMA BULKHEAD JACK

English

---

### CAD Files

#### 3D PDF

3D

#### Customer View Model

[ENG\\_CVM\\_CVM\\_225608-4\\_AG.2d\\_dxf.zip](#)

English

#### Customer View Model

[ENG\\_CVM\\_CVM\\_225608-4\\_AG.3d\\_igs.zip](#)

English

#### Customer View Model

[ENG\\_CVM\\_CVM\\_225608-4\\_AG.3d\\_stp.zip](#)

English

By downloading the CAD file I accept and agree to the [Terms and Conditions](#) of use.

---

### Instruction Sheets

#### Instruction Sheet (U.S.)

English

---

### Agency Approvals

#### UL Report

English