

1757459-1 ✓ ACTIVE

AMP | AMP OSP Miniature Modular

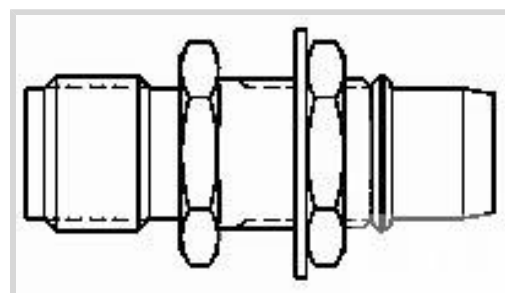
TE Internal #: 1757459-1

AMP OSP Miniature Modular, Between Series Adapters, Side A Interface SMA, Side A Gender Jack, Side B Interface OSP, Side B Gender Plug, 50 Ω

[View on TE.com >](#)



Connectors > RF Coax Connectors > RF Adapters > Between Series Adapters



Side A Interface: **SMA**

Side A Gender: **Jack**

Side B Interface: **OSP**

Side B Gender: **Plug**

Impedance: **50 Ω**

## Features

### Product Type Features

Side A Interface	SMA
Side A Gender	Jack
Side B Interface	OSP
Side B Gender	Plug
Connector System	Cable-to-Cable
Connector & Contact Terminates To	Wire & Cable

### Configuration Features

Number of Positions	1
---------------------	---

### Electrical Characteristics

Impedance	50 Ω
-----------	------

### Body Features

Body Material	Stainless Steel
Body Style	Straight
Body Plating Finish	Passivated

### Contact Features

RF Connector Center Contact Plating Material	Gold
RF Connector Center Contact Material	Beryllium Copper

### Mechanical Attachment



Connector Mounting Type	Bulkhead
-------------------------	----------

### Usage Conditions

Operating Temperature Range	-65 – 165 °C[-85 – 329 °F]
-----------------------------	----------------------------

### Operation/Application

Circuit Application	Signal
---------------------	--------

### Other

Dielectric Material	TFE Fluorocarbon
---------------------	------------------

## Product Compliance

[For compliance documentation, visit the product page on TE.com>](#)

EU RoHS Directive 2011/65/EU	Compliant with Exemptions
EU ELV Directive 2000/53/EC	Compliant with Exemptions
China RoHS 2 Directive MIIT Order No 32, 2016	Restricted Materials Above Threshold
EU REACH Regulation (EC) No. 1907/2006	Current ECHA Candidate List: JAN 2021 (211) Candidate List Declared Against: JAN 2018 (181) SVHC > Threshold: Not Yet Reviewed
Halogen Content	Low Bromine/Chlorine - Br and Cl < 900 ppm per homogenous material. Also BFR /CFR/PVC Free
Solder Process Capability	Not applicable for solder process capability

#### Product Compliance Disclaimer

This information is provided based on reasonable inquiry of our suppliers and represents our current actual knowledge based on the information they provided. This information is subject to change. The part numbers that TE has identified as EU RoHS compliant have a maximum concentration of 0.1% by weight in homogenous materials for lead, hexavalent chromium, mercury, PBB, PBDE, DBP, BBP, DEHP, DIBP, and 0.01% for cadmium, or qualify for an exemption to these limits as defined in the Annexes of Directive 2011/65/EU (RoHS2). Finished electrical and electronic equipment products will be CE marked as required by Directive 2011/65/EU. Components may not be CE marked. Additionally, the part numbers that TE has identified as EU ELV compliant have a maximum concentration of 0.1% by weight in homogenous materials for lead, hexavalent chromium, and mercury, and 0.01% for cadmium, or qualify for an exemption to these limits as defined in the Annexes of Directive 2000/53/EC (ELV). Regarding the REACH Regulations, TE's information on SVHC in articles for this part number is still based on the European Chemical Agency (ECHA) 'Guidance on requirements for substances in articles' (Version: 2, April 2011), applying the 0.1% weight on weight concentration threshold at the finished product level. TE is aware of the European Court of Justice ruling of September 10th, 2015 also known as O5A (Once An Article Always An Article) stating that, in case of 'complex object', the threshold for a SVHC must be applied to both the product as a whole and simultaneously to each of the articles forming part of its composition. TE has evaluated this ruling based on the new ECHA "Guidance on requirements for substances in articles" (June 2017, version 4.0) and will be updating its statements accordingly.

Also in the Series | [AMP OSP Miniature Modular](#)

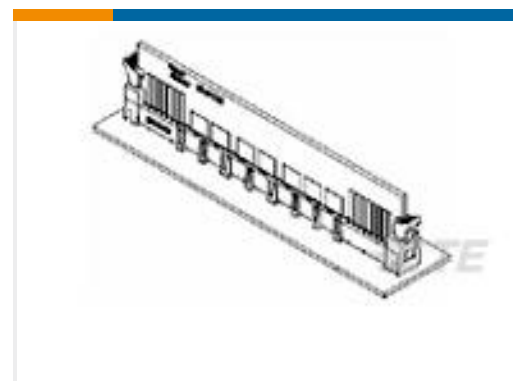
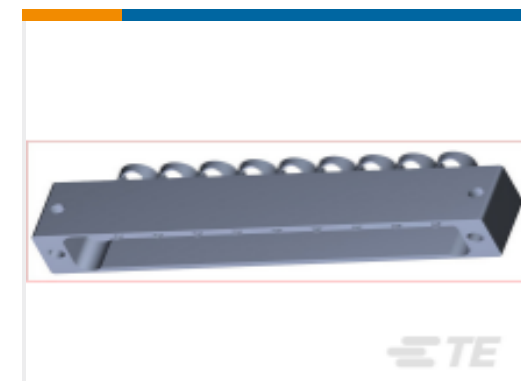
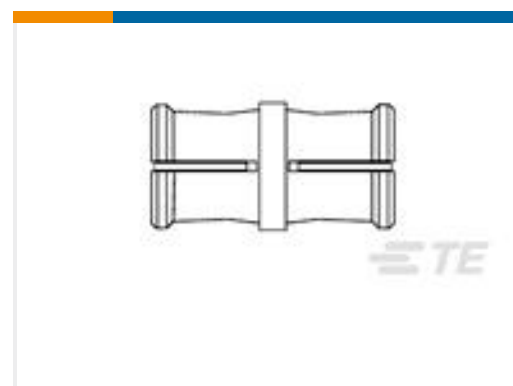


Between Series Adapters(4)



RF Connectors(22)

## Customers Also Bought

TE Part #1-1734261-3  
AMP HPI 1.25MM HEADERSTE Part #2085117-1  
CONN SOCKET ASSY STRAIGHT  
SOLDER FLATPAQTE Part #1766308-1  
284-0313-01303=TA CONN,SKTTE Part #2-1589072-4  
CX090L2AQ = CoaxTE Part #11029759-00  
Model 44900 SeriesTE Part #1811943-1  
Wire Sealing BootTE Part #1056703-1  
SMP Jack-Jack Adapter 2980 5004 62TE Part #1589694-2  
TCM044PC2DC012B = CIRCULARTE Part #7-1617540-3  
J1MAW-5XL=M39016/7-013LTE Part #1825420-2  
TRD13F10WL04 rocker switch

## Documents

### Product Drawings

ADAPTER, SMA JACK TO OSP PLUG, BULKHEAD

English

### CAD Files

3D PDF

3D

Customer View Model

ENG\_CVM\_CVM\_1757459-1\_C.2d\_dxf.zip



English

**Customer View Model**

[ENG\\_CVM\\_CVM\\_1757459-1\\_C.3d\\_igs.zip](#)

English

**Customer View Model**

[ENG\\_CVM\\_CVM\\_1757459-1\\_C.3d\\_stp.zip](#)

English

By downloading the CAD file I accept and agree to the [Terms and Conditions](#) of use.

**Datasheets & Catalog Pages**

[Products for Aerospace and Defense](#)

English