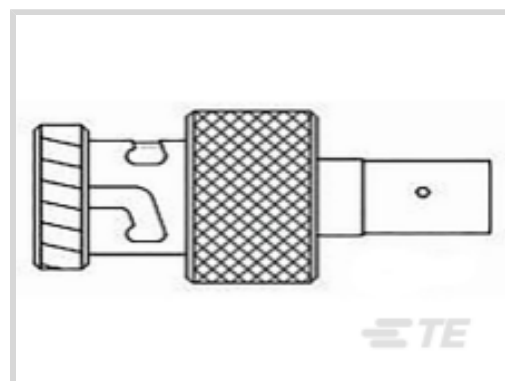




Cable Assemblies > Data Bus Components > Data Bus Connectors



Data Bus Connector Type: **Jack**

Data Bus Connector Style: **Bayonet**

Polarization (Bayonet Style): **B**

Data Bus Connector Contact Type: **Pin**

Features

Product Type Features

Data Bus Connector Type	Jack
Data Bus Connector Style	Bayonet

Contact Features

Data Bus Connector Contact Type	Pin
---------------------------------	-----

Mechanical Attachment

Polarization (Bayonet Style)	B
------------------------------	---

Product Compliance

[For compliance documentation, visit the product page on TE.com>](#)

EU RoHS Directive 2011/65/EU	Not Compliant
EU ELV Directive 2000/53/EC	Not Compliant
China RoHS 2 Directive MIIT Order No 32, 2016	Restricted Materials Above Threshold
EU REACH Regulation (EC) No. 1907/2006	Current ECHA Candidate List: JAN 2021 (211) Candidate List Declared Against: JUL 2019 (201) SVHC > Threshold: Pb (37% in Solder)
Halogen Content	Low Halogen - Br, Cl, F, I < 900 ppm per homogenous material. Also BFR/CFR/PVC

Article Safe Usage Statements:
Do not eat, drink or smoke when using this product. Wash thoroughly after handling. Recycle if possible and dispose of the article by following all applicable governmental regulations relevant to your geographic location.

Free

Solder Process Capability

Not applicable for solder process capability

Product Compliance Disclaimer

This information is provided based on reasonable inquiry of our suppliers and represents our current actual knowledge based on the information they provided. This information is subject to change. The part numbers that TE has identified as EU RoHS compliant have a maximum concentration of 0.1% by weight in homogenous materials for lead, hexavalent chromium, mercury, PBB, PBDE, DBP, BBP, DEHP, DIBP, and 0.01% for cadmium, or qualify for an exemption to these limits as defined in the Annexes of Directive 2011/65/EU (RoHS2). Finished electrical and electronic equipment products will be CE marked as required by Directive 2011/65/EU. Components may not be CE marked. Additionally, the part numbers that TE has identified as EU ELV compliant have a maximum concentration of 0.1% by weight in homogenous materials for lead, hexavalent chromium, and mercury, and 0.01% for cadmium, or qualify for an exemption to these limits as defined in the Annexes of Directive 2000/53/EC (ELV). Regarding the REACH Regulation, the information TE provides on SVHC in articles for this part number is based on the latest European Chemicals Agency (ECHA) 'Guidance on requirements for substances in articles' posted at this URL: <https://echa.europa.eu/guidance-documents/guidance-on-reach>

Compatible Parts



TE Part # 750984-004
10612-24-9

Customers Also Bought



TE Part #445595-4
PLG KIT,ARINC 404,W/O CONTACTS



TE Part #448543-3
SOCKET,ARINC,SIZE 8,TRIAxIAL



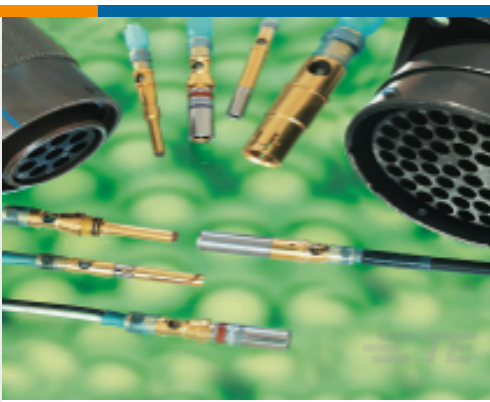
TE Part #ZPF000000000007732
983-05E 24-61 SN-L



TE Part #CTJ-3B-02-4021
RAIL ASSY



TE Part #970433-000
D-106-6025CS1241



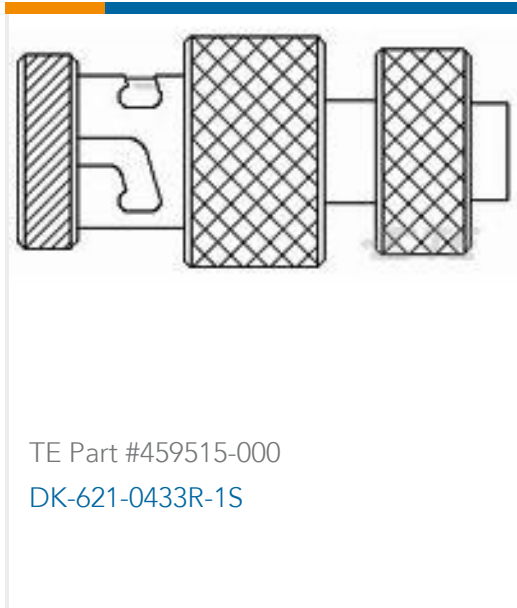
TE Part #488105N003
D-602-0127CS232



TE Part #613049-000
D-621-0436



TE Part #202473-000
D-621-0438



Documents

Product Drawings

[DK-621-0435R-2S](#)

English

Datasheets & Catalog Pages

[Data Bus Components Brochure](#)

English

Product Specifications

[Product Specification](#)

English

[Termination of D-621 Right Angle Triaxial Connectors to Shielded Twisted Pair Cable for MIL-STD-1553B Applications](#)

English