

1274568-1 ✓ ACTIVE

TE Internal #: 1274568-1

RF Connectors, Mini BNC RF Interface, Jack, RF Connector Mated

Outer Diameter (Approximate) .295 in [7.49 mm], 75 Ω

[View on TE.com >](#)



Connectors > RF Coax Connectors > RF Connectors



RF Interface: **Mini BNC**

RF Connector Style: **Jack**

RF Connector Mated Outer Diameter (Approximate): **7.49 mm [.295 in]**

Impedance: **75 Ω**

Compatible With RF Cable Type: **RG 735A**

Features

Product Type Features

RF Interface	Mini BNC
RF Connector Style	Jack
Compatible With RF Cable Type	RG 735A
Connector System	Cable-to-Panel
Sealable	No
Connector & Contact Terminates To	Wire & Cable

Configuration Features

Number of Positions	1
Number of Coaxial Contacts	1

Electrical Characteristics

Insulation Resistance	1000 M Ω
Impedance	75 Ω

Body Features

Cable Connector Orientation	Straight
Body Material	Brass



Body Plating Material	Nickel
-----------------------	--------

Contact Features

Crimp Type	Hex
RF Connector Center Contact Plating Material	Gold
RF Connector Center Contact Material	Phosphor Bronze

Termination Features

Termination Method to Wire & Cable	Crimp
------------------------------------	-------

Mechanical Attachment

Panel Attachment Style	Rear Mount
RF Connector Coupling Mechanism	Bayonet
Connector Mounting Type	Bulkhead
RF Contact Captivation Method	Mechanical
Detent	With

Dimensions

RF Connector Mated Outer Diameter (Approximate)	7.49 mm [.295 in]
---	-------------------

Usage Conditions

Operating Temperature Range	-40 – 85 °C [-40 – 185 °F] [-40 – 185 °F]
-----------------------------	---

Operation/Application

Operating Frequency	2 GHz
---------------------	-------

Packaging Features

Packaging Method	Carton
------------------	--------

Other

Grade	Commercial
Additional Features	Hardware Included
Dielectric Material	PTFE

Product Compliance

[For compliance documentation, visit the product page on TE.com>](#)

EU RoHS Directive 2011/65/EU	Compliant with Exemptions
EU ELV Directive 2000/53/EC	Compliant with Exemptions
China RoHS 2 Directive MIIT Order No 32, 2016	Restricted Materials Above Threshold
EU REACH Regulation (EC) No. 1907/2006	



Current ECHA Candidate List: JAN 2021 (211)
 Candidate List Declared Against: JAN 2021 (211)
 SVHC > Threshold:
 Pb (4% in Component Part)

Article Safe Usage Statements:
 Do not eat, drink or smoke when using this product. Wash thoroughly after handling. Recycle if possible and dispose of the article by following all applicable governmental regulations relevant to your geographic location.

Halogen Content	Low Bromine/Chlorine - Br and Cl < 900 ppm per homogenous material. Also BFR /CFR/PVC Free
Solder Process Capability	Not applicable for solder process capability

Product Compliance Disclaimer

This information is provided based on reasonable inquiry of our suppliers and represents our current actual knowledge based on the information they provided. This information is subject to change. The part numbers that TE has identified as EU RoHS compliant have a maximum concentration of 0.1% by weight in homogenous materials for lead, hexavalent chromium, mercury, PBB, PBDE, DBP, BBP, DEHP, DIBP, and 0.01% for cadmium, or qualify for an exemption to these limits as defined in the Annexes of Directive 2011/65/EU (RoHS2). Finished electrical and electronic equipment products will be CE marked as required by Directive 2011/65/EU. Components may not be CE marked. Additionally, the part numbers that TE has identified as EU ELV compliant have a maximum concentration of 0.1% by weight in homogenous materials for lead, hexavalent chromium, and mercury, and 0.01% for cadmium, or qualify for an exemption to these limits as defined in the Annexes of Directive 2000/53/EC (ELV). Regarding the REACH Regulation, the information TE provides on SVHC in articles for this part number is based on the latest European Chemicals Agency (ECHA) 'Guidance on requirements for substances in articles' posted at this URL: <https://echa.europa.eu/guidance-documents/guidance-on-reach>

Compatible Parts

TE Part # 1274566-1
 PLUG KIT, RIGHT ANGLE, MINI BN

TE Part # 1274566-3
 PLUG KIT, RIGHT ANGLE, MINI BNC

TE Part # 1274563-2
 PLUG KIT, STRAIGHT, MINI BNC

TE Part # 1274563-3
 PLUG KIT, STRAIGHT, MINI BNC

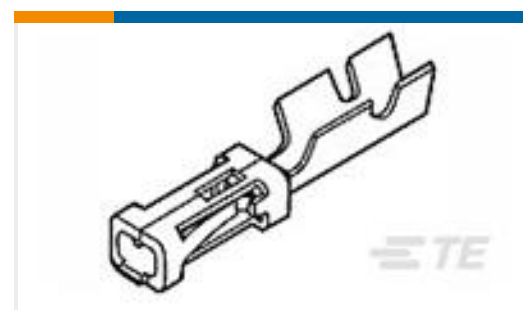
TE Part # 58425-2
 DIE, COAX 128/178X042 SQ IS9657

TE Part # 1274566-2
 PLUG KIT, RIGHT ANGLE, MINI BNC

Customers Also Bought



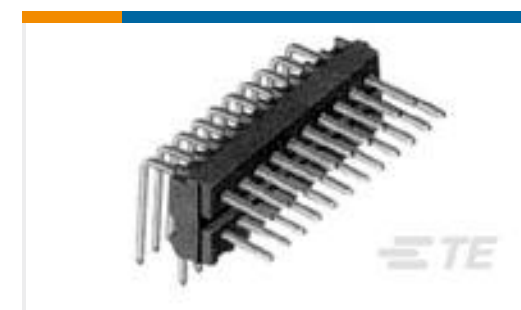
TE Part #1050928-1
SMA CABLE JACK 2002 8006 90



TE Part #102316-2
MOD IV RECP PLTD 30 SEL



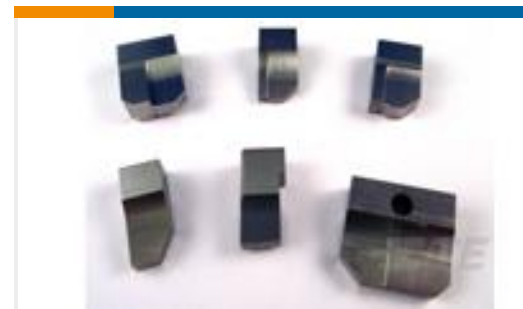
TE Part #YDTS24W25-24PAC001
Jam Nut: D38999, 25-24 Insert



TE Part #6-103916-3
50 sys 50 hdr drst unshrd sn



TE Part #1589688-6
TCM019PC2DC072B = Circular



TE Part #1633385-4
ANVIL, COMBINATION



TE Part #3-456401-1
CRIMPER, WIRE 3042 "F"



TE Part #31176
DG R 22-16 COMM 22-18MIL 1/4



TE Part #5415487-2
PLUG,CBL,MINI-75 OHM SMB,NO PB



TE Part #1483351-3
MICRO-MATCH LEAD 06P 250MM

Documents

Product Drawings

BULKHEAD JACK KIT, STRAIGHT, M

English

CAD Files

3D PDF

3D

Customer View Model

[ENG_CVM_CVM_1274568-1_D.2d_dxf.zip](#)

English

Customer View Model

[ENG_CVM_CVM_1274568-1_D.3d_igs.zip](#)

English

Customer View Model

[ENG_CVM_CVM_1274568-1_D.3d_stp.zip](#)

English

By downloading the CAD file I accept and agree to the [Terms and Conditions](#) of use.

Datasheets & Catalog Pages



Mini BNC Connectors

English

[1-1773725-8_RF_COAX_QRG](#)

English

Product Specifications

[Product Specification](#)

English

[Product Specification](#)

English

Instruction Sheets

[Instruction Sheet \(U.S.\)](#)

English