

1-1478912-0 ✓ ACTIVE



## AMP SMA

TE Internal #: 1-1478912-0

AMP SMA, RF Connectors, SMA RF Interface, Plug, RF Connector

Mated Outer Diameter (Approximate) .25 in [6.35 mm], 50  $\Omega$

[View on TE.com >](#)

Connectors > RF Coax Connectors > RF Connectors



RF Interface: **SMA**

RF Connector Style: **Plug**

RF Connector Mated Outer Diameter (Approximate): **6.35 mm [ .25 in ]**

Impedance: **50  $\Omega$**

Compatible With RF Cable Type: **KX 22A, KX 3B, RG 174A, RG 188A, RG 316, URM 95**

## Features

### Product Type Features

Connector Product Type	Connector Assembly
RF Interface	SMA
RF Connector Style	Plug
Compatible With RF Cable Type	KX 22A, KX 3B, RG 174A, RG 188A, RG 316, URM 95
Connector System	Cable-to-Cable
Sealable	Yes
Connector & Contact Terminates To	Wire & Cable
Connector Seal Type	Gasket

### Configuration Features

Number of Positions	1
Number of Coaxial Contacts	1

### Electrical Characteristics

Impedance	50 $\Omega$
-----------	-------------

### Body Features

Cable Connector Orientation	Right Angle
Body Material	Stainless Steel
Body Material Finish	Plated
Body Plating Material	Gold

### Contact Features

RF Connector Center Contact Underplating Material	Copper
RF Connector Contact Configuration	Not Captivated
RF Connector Center Contact Plating Material	Gold
RF Connector Center Contact Material	Brass

### Termination Features

Termination Method to Wire & Cable	Solder & Clamp
------------------------------------	----------------

### Mechanical Attachment

RF Connector Coupling Mechanism	Threaded
RF Contact Captivation Method	Solder
Detent	Without

### Dimensions

Flats Dimension	8.0 A/F
Product Length	16.7 mm [.657 in]
RF Connector Mated Outer Diameter (Approximate)	6.35 mm [.25 in]

### Usage Conditions

Operating Temperature Range	-65 – 165 °C [-85 – 329 °F]
-----------------------------	-----------------------------

### Operation/Application

Operating Frequency	26 GHz
---------------------	--------

### Packaging Features

Packaging Quantity	100
Packaging Method	Box

### Other

Grade	Professional
Coupling Nut Plating Material	Gold
Gasket Material	Silicone Rubber
Coupling Nut Base Material	Stainless Steel
Dielectric Material	PTFE

### Product Compliance

For compliance documentation, visit the product page on [TE.com](https://www.te.com)>

EU RoHS Directive 2011/65/EU	Compliant with Exemptions
------------------------------	---------------------------



EU ELV Directive 2000/53/EC

Compliant with Exemptions

China RoHS 2 Directive MIIT Order No 32, 2016

Restricted Materials Above Threshold

EU REACH Regulation (EC) No. 1907/2006

Current ECHA Candidate List: JAN 2021 (211)

Candidate List Declared Against: JAN 2021 (211)

SVHC > Threshold:

Pb (.35% in Component Part)

**Article Safe Usage Statements:**

Do not eat, drink or smoke when using this product. Wash thoroughly after handling. Recycle if possible and dispose of the article by following all applicable governmental regulations relevant to your geographic location.

Halogen Content

Low Halogen - Br, Cl, F, I < 900 ppm per homogenous material. Also BFR/CFR/PVC Free

Solder Process Capability

Wave solder capable to 265°C

**Product Compliance Disclaimer**

This information is provided based on reasonable inquiry of our suppliers and represents our current actual knowledge based on the information they provided. This information is subject to change. The part numbers that TE has identified as EU RoHS compliant have a maximum concentration of 0.1% by weight in homogenous materials for lead, hexavalent chromium, mercury, PBB, PBDE, DBP, BBP, DEHP, DIBP, and 0.01% for cadmium, or qualify for an exemption to these limits as defined in the Annexes of Directive 2011/65/EU (RoHS2). Finished electrical and electronic equipment products will be CE marked as required by Directive 2011/65/EU. Components may not be CE marked. Additionally, the part numbers that TE has identified as EU ELV compliant have a maximum concentration of 0.1% by weight in homogenous materials for lead, hexavalent chromium, and mercury, and 0.01% for cadmium, or qualify for an exemption to these limits as defined in the Annexes of Directive 2000/53/EC (ELV). Regarding the REACH Regulation, the information TE provides on SVHC in articles for this part number is based on the latest European Chemicals Agency (ECHA) 'Guidance on requirements for substances in articles' posted at this URL: <https://echa.europa.eu/guidance-documents/guidance-on-reach>

## Compatible Parts



TE Part # 1060469-1  
5164 5011 09



TE Part # 1052422-1  
2052 0000 02,SMA FM JACK RECPT



TE Part # 1-1478963-0  
SMA PNL SKT RCPT, 2/FLNG GSS



TE Part # 1-1478979-0  
SMA STR PCB SKT GSS



TE Part # 1051942-1  
2034 5008 00,SMA FT CABLE JACK



TE Part # 1052522-1  
2052 1201 00,SMA FM JACK RECPT



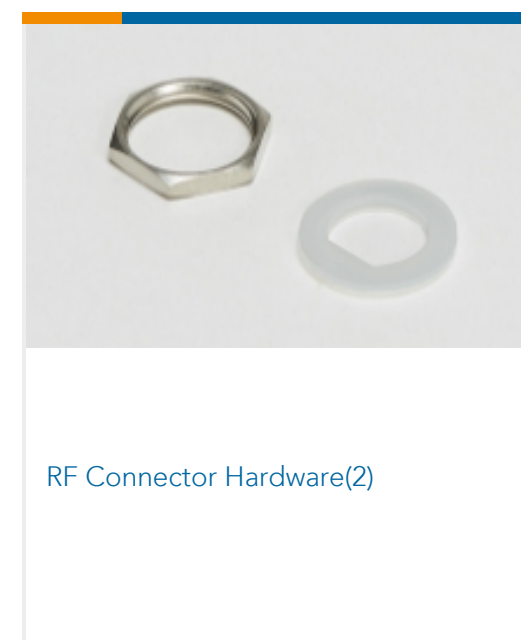
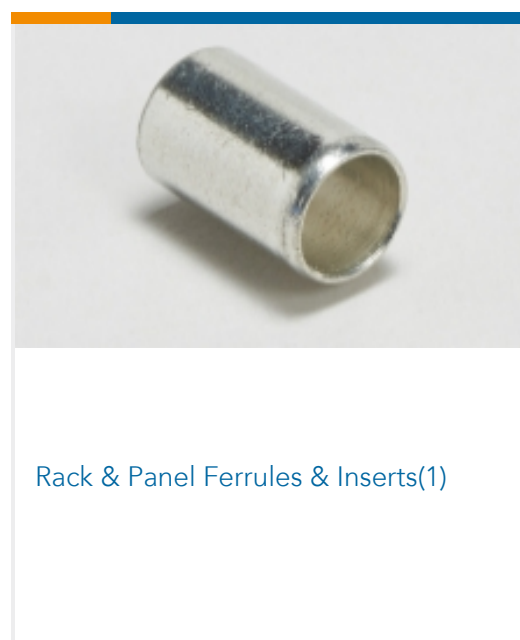
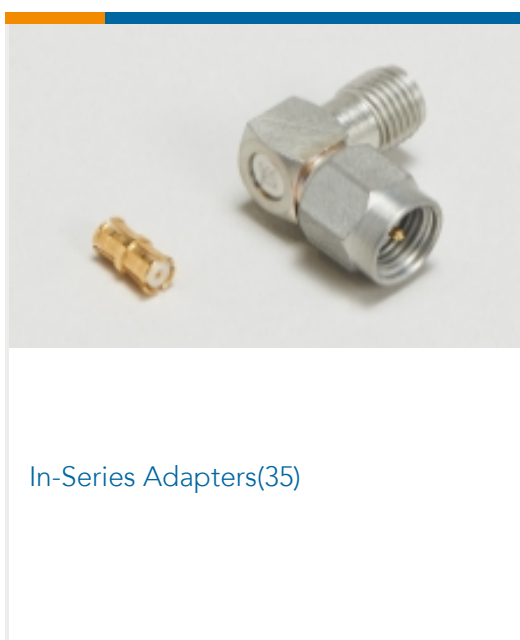
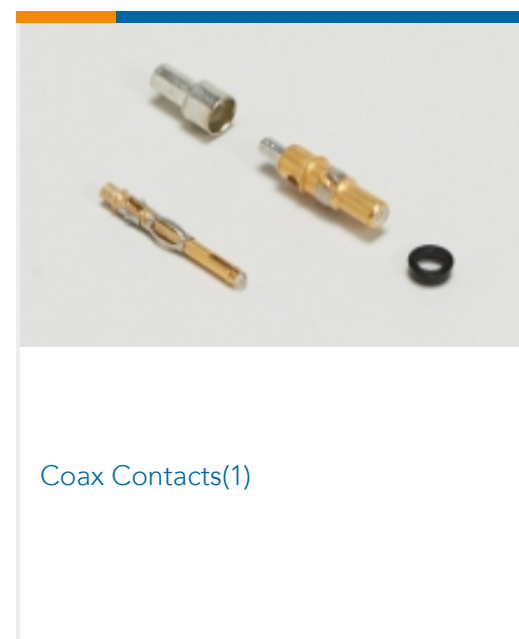
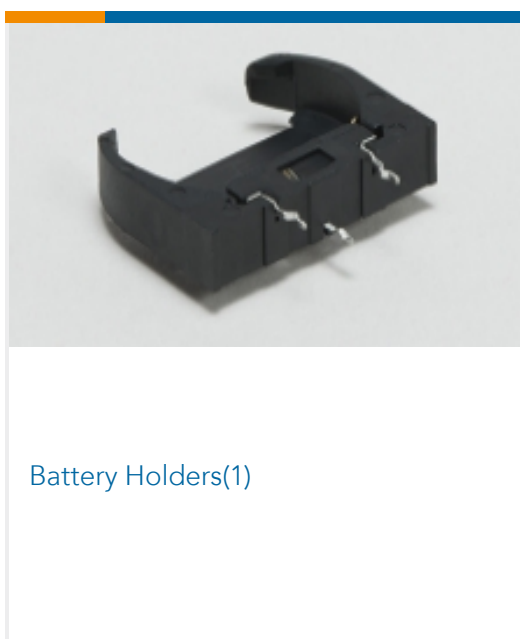
TE Part # 1052534-1  
2052 1300 02



TE Part # 1052544-1  
2052 1350 02,SMA FM JACK RECPT



Also in the Series | AMP SMA





RF Connector Launchers(13)

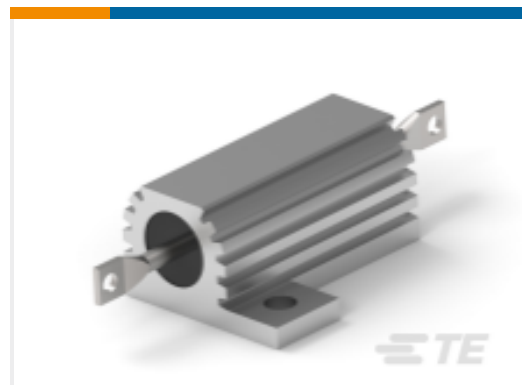


RF Connector Shrouds(10)

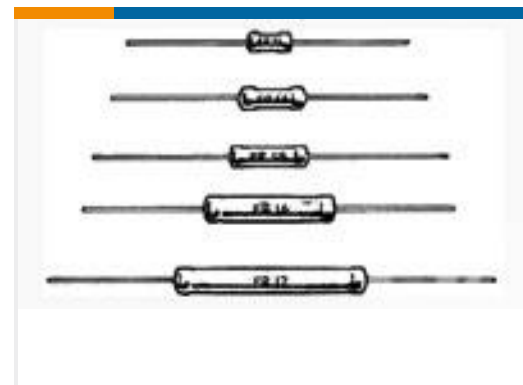


RF Connectors(527)

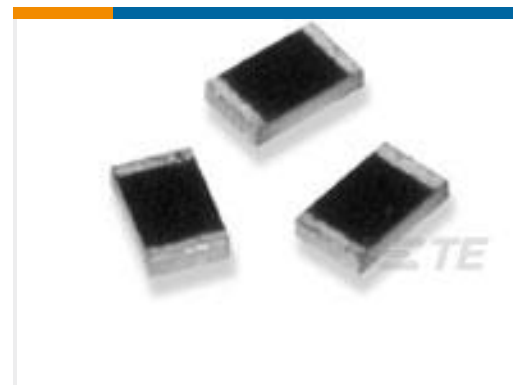
## Customers Also Bought



TE Part #1-1879074-2  
Power Resistor: Aluminum Housed, 75 Watt



TE Part #1-1623746-4  
ER74 1R2 5% AMMO PK



TE Part #1-1879272-9  
RP 2A 274R 0.1% 15PPM CUT LENGTH



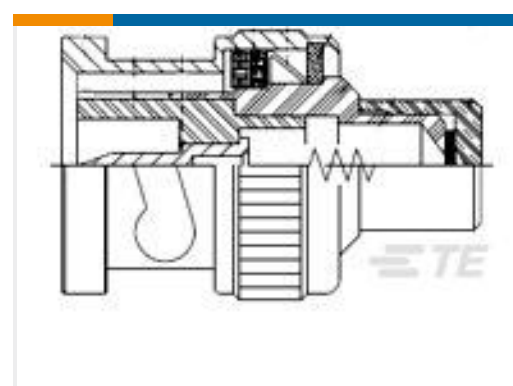
TE Part #CN2893-000  
SBP SELF LAMINATING VINYL LABELS



TE Part #1-1623783-4  
Wirewound Resistor: Vertical Mount



TE Part #1337808-1  
50 OHM COAX SMA STR PLUG STR P



TE Part #1-1337523-0  
BNC Plg Term 50Ohm Nickel Pltd



TE Part #1-1478008-0  
SMB R/A Plg PS 50Ohn Gold Pltd  
RG174A/U,



TE Part #1-1478908-0  
SMA STR PLG S/CLMP RG174 GSS



TE Part #1-1337624-0  
N Str Adp JJ 50Ohm Nickel Pltd

## Documents

### Product Drawings

[SMA R/A PLG S/CLMP RG174 GSS](#)

English

### CAD Files

[3D PDF](#)

[3D](#)

[Customer View Model](#)

[ENG\\_CVM\\_CVM\\_1-1478912-0\\_B.2d\\_dxf.zip](#)

1-1478912-0

AMP SMA, RF Connectors, SMA RF Interface, Plug, RF Connector Mated Outer  
Diameter (Approximate) .25 in [6.35 mm], 50 Ω



English

**Customer View Model**

[ENG\\_CVM\\_CVM\\_1-1478912-0\\_B.3d\\_igs.zip](#)

English

**Customer View Model**

[ENG\\_CVM\\_CVM\\_1-1478912-0\\_B.3d\\_stp.zip](#)

English

By downloading the CAD file I accept and agree to the [Terms and Conditions](#) of use.

## Product Specifications

[Product Specification](#)

English