



TE Internal #: 1-1337469-0
 RF Connectors, TNC RF Interface, Jack, RF Connector Mated Outer Diameter (Approximate) .64 in [16.26 mm], 50 Ω, Threaded, 11GHz Operating Frequency

[View on TE.com >](#)

Connectors > RF Coax Connectors > RF Connectors



RF Interface: **TNC**

RF Connector Style: **Jack**

RF Connector Mated Outer Diameter (Approximate): **16.26 mm [.64 in]**

Impedance: **50 Ω**

RF Connector Coupling Mechanism: **Threaded**

Features

Product Type Features

RF Interface	TNC
RF Connector Style	Jack
Connector System	Cable-to-Panel
Sealable	No

Configuration Features

Number of Positions	1
Number of Coaxial Contacts	1

Electrical Characteristics

Impedance	50 Ω
-----------	------

Body Features

Body Shape	Circular
Cable Connector Orientation	Straight
Body Material	Brass
Body Material Finish	Plated



Body Plating Material	Silver
-----------------------	--------

Contact Features

RF Connector Center Contact Plating Material	Silver
--	--------

RF Connector Center Contact Material	Brass
--------------------------------------	-------

Termination Features

Termination Method to Wire & Cable	Solder Terminal
------------------------------------	-----------------

Mechanical Attachment

Panel Attachment Style	Front Mount
------------------------	-------------

Panel Mount Feature Type	Hex Nut
--------------------------	---------

RF Connector Coupling Mechanism	Threaded
---------------------------------	----------

Connector Mounting Type	Bulkhead
-------------------------	----------

RF Contact Captivation Method	Solder
-------------------------------	--------

Detent	Without
--------	---------

Dimensions

Flats Dimension	11.0 A/F
-----------------	----------

Flange Diameter	12.5 mm[.492 in]
-----------------	------------------

Panel Cutout	8.7 x 9.6mm D-Shape
--------------	---------------------

Panel Thickness (Recommended)	1.5 – 2.9 mm[.059 – .114 in]
-------------------------------	------------------------------

RF Connector Mated Outer Diameter (Approximate)	16.26 mm[.64 in]
---	------------------

Usage Conditions

Operating Temperature Range	-65 – 165 °C[-85 – 329 °F]
-----------------------------	----------------------------

Operation/Application

Operating Frequency	11 GHz
---------------------	--------

Packaging Features

Packaging Quantity	50
--------------------	----

Packaging Method	Bag
------------------	-----

Other

Grade	Professional
-------	--------------

Lockwasher Plating Material	Silver
-----------------------------	--------

Lockwasher Material	Brass
---------------------	-------

Dielectric Material	PTFE
---------------------	------



Product Compliance




[For compliance documentation, visit the product page on TE.com>](#)

EU RoHS Directive 2011/65/EU	Not Compliant
EU ELV Directive 2000/53/EC	Compliant with Exemptions
China RoHS 2 Directive MIIT Order No 32, 2016	Restricted Materials Above Threshold
EU REACH Regulation (EC) No. 1907/2006	Current ECHA Candidate List: JAN 2021 (211) Candidate List Declared Against: JAN 2021 (211) SVHC > Threshold: Pb (4% in Component Part) Article Safe Usage Statements: Do not eat, drink or smoke when using this product. Wash thoroughly after handling. Recycle if possible and dispose of the article by following all applicable governmental regulations relevant to your geographic location.
Halogen Content	Low Bromine/Chlorine - Br and Cl < 900 ppm per homogenous material. Also BFR /CFR/PVC Free
Solder Process Capability	Wave solder capable to 265°C

Product Compliance Disclaimer

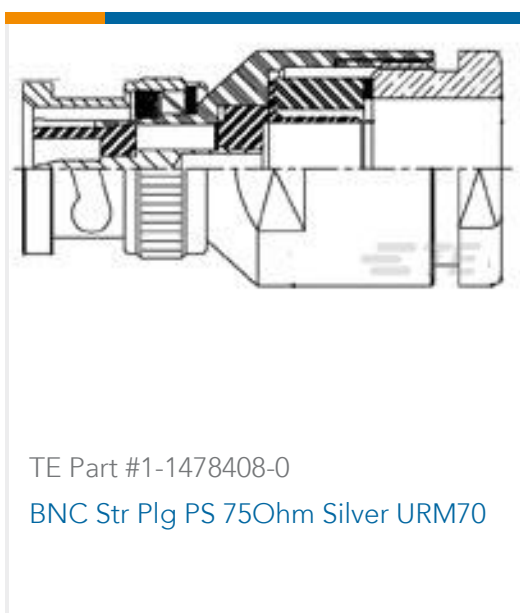
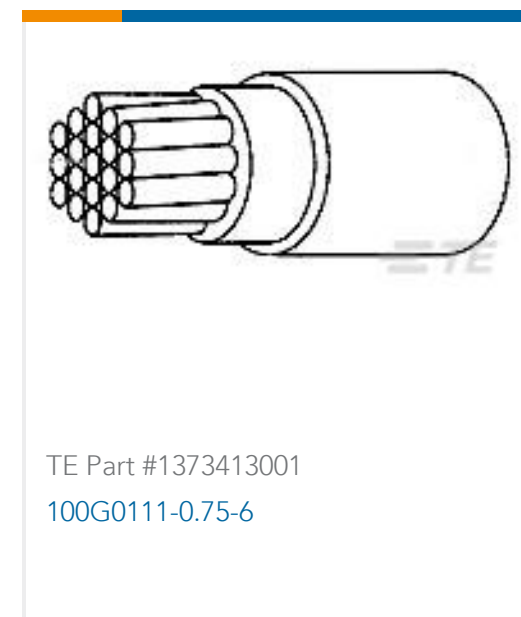
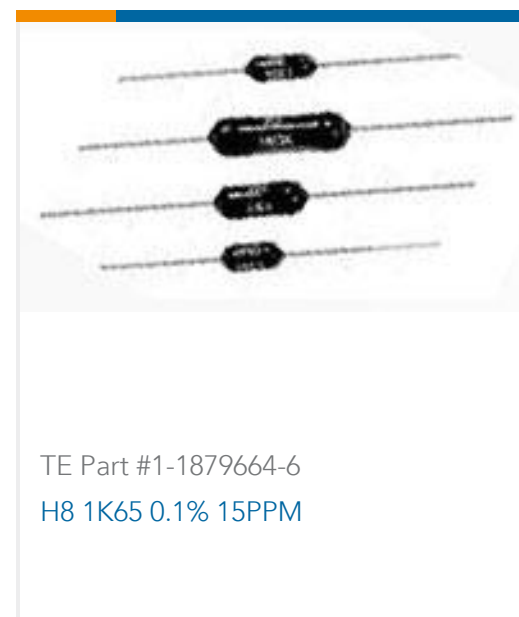
This information is provided based on reasonable inquiry of our suppliers and represents our current actual knowledge based on the information they provided. This information is subject to change. The part numbers that TE has identified as EU RoHS compliant have a maximum concentration of 0.1% by weight in homogenous materials for lead, hexavalent chromium, mercury, PBB, PBDE, DBP, BBP, DEHP, DIBP, and 0.01% for cadmium, or qualify for an exemption to these limits as defined in the Annexes of Directive 2011/65/EU (RoHS2). Finished electrical and electronic equipment products will be CE marked as required by Directive 2011/65/EU. Components may not be CE marked. Additionally, the part numbers that TE has identified as EU ELV compliant have a maximum concentration of 0.1% by weight in homogenous materials for lead, hexavalent chromium, and mercury, and 0.01% for cadmium, or qualify for an exemption to these limits as defined in the Annexes of Directive 2000/53/EC (ELV). Regarding the REACH Regulation, the information TE provides on SVHC in articles for this part number is based on the latest European Chemicals Agency (ECHA) 'Guidance on requirements for substances in articles' posted at this URL: <https://echa.europa.eu/guidance-documents/guidance-on-reach>

Compatible Parts

 <p>TE Part # 5225555-6 TNC PLUG DUAL W/P TR</p>	 <p>TE Part # 5225555-2 TNC PLUG DUAL W/P TR</p>	 <p>TE Part # 5225554-6 TNC RT ANG PLUG DUAL</p>	 <p>TE Part # 5225555-8 TNC PLUG</p>
---	--	---	---



Customers Also Bought



Documents



Product Drawings

[TNC BHSkt + Tag 50Ohm Silver Pltd](#)

English

CAD Files

[3D PDF](#)

3D

Customer View Model

[ENG_CVM_CVM_1-1337469-0_C.2d_dxf.zip](#)

English

Customer View Model

[ENG_CVM_CVM_1-1337469-0_C.3d_igs.zip](#)

English

Customer View Model

[ENG_CVM_CVM_1-1337469-0_C.3d_stp.zip](#)

English

By downloading the CAD file I accept and agree to the [Terms and Conditions](#) of use.

Datasheets & Catalog Pages

[1307191 RF Coax Products Catalog](#)

English