



TE Internal #: 1059654-1  
 RF Connectors, OSP RF Interface, Jack, RF Connector Mated Outer Diameter (Approximate) .3 in [7.62 mm], 50 Ω, Push-On, 18GHz Operating Frequency

[View on TE.com >](#)

Connectors > RF Coax Connectors > RF Connectors



RF Interface: **OSP**  
 RF Connector Style: **Jack**  
 RF Connector Mated Outer Diameter (Approximate): **7.62 mm [.3 in]**  
 Impedance: **50 Ω**  
 RF Connector Coupling Mechanism: **Push-On**

**Features**

**Product Type Features**

RF Interface	OSP
RF Connector Style	Jack
Connector System	Cable-to-Panel
Sealable	No

**Configuration Features**

Number of Positions	1
Number of Coaxial Contacts	1

**Electrical Characteristics**

Impedance	50 Ω
-----------	------

**Body Features**

Cable Connector Orientation	Straight
Body Material	Stainless Steel
Body Material Finish	Passivated

**Contact Features**

RF Connector Center Contact Underplating Material	Copper
RF Connector Center Contact Plating Material	Gold
RF Connector Center Contact Material	Beryllium Copper

**Mechanical Attachment**

--	--



Panel Attachment Style	Front Mount
Panel Mount Feature Type	Press-Fit
RF Connector Coupling Mechanism	Push-On
Connector Mounting Type	Panel Mount
RF Contact Captivation Method	Epoxy
Detent	Without

### Dimensions

Panel Thickness (Recommended)	6.35 mm [.25 in]
RF Connector Mated Outer Diameter (Approximate)	7.62 mm [.3 in]

### Usage Conditions

Operating Temperature Range	-65 – 125 °C [-85 – 257 °F]
-----------------------------	-----------------------------

### Operation/Application

Operating Frequency	18 GHz
---------------------	--------

### Packaging Features

Packaging Method	Carton
------------------	--------

### Other

Dielectric Material	TFE Fluorocarbon
---------------------	------------------

## Product Compliance

[For compliance documentation, visit the product page on TE.com>](#)

EU RoHS Directive 2011/65/EU	Compliant with Exemptions
EU ELV Directive 2000/53/EC	Compliant with Exemptions
China RoHS 2 Directive MIIT Order No 32, 2016	Restricted Materials Above Threshold
EU REACH Regulation (EC) No. 1907/2006	Current ECHA Candidate List: JAN 2021 (211) Candidate List Declared Against: JAN 2021 (211) SVHC > Threshold: Pb (.6% in Component Part) <b>Article Safe Usage Statements:</b> Do not eat, drink or smoke when using this product. Wash thoroughly after handling. Recycle if possible and dispose of the article by following all applicable governmental regulations relevant to your geographic location.
Halogen Content	Low Bromine/Chlorine - Br and Cl < 900 ppm per homogenous material. Also BFR /CFR/PVC Free
Solder Process Capability	Pin-in-Paste capable to 260°C

Product Compliance Disclaimer

This information is provided based on reasonable inquiry of our suppliers and represents our current actual knowledge based on the information they provided. This information is subject to change. The part numbers that TE has identified as EU RoHS compliant have a maximum concentration of 0.1% by weight in homogenous materials for lead, hexavalent chromium, mercury, PBB, PBDE, DBP, BBP, DEHP, DIBP, and 0.01% for cadmium, or qualify for an exemption to these limits as defined in the Annexes of Directive 2011/65/EU (RoHS2). Finished electrical and electronic equipment products will be CE marked as required by Directive 2011/65/EU. Components may not be CE marked. Additionally, the part numbers that TE has identified as EU ELV compliant have a maximum concentration of 0.1% by weight in homogenous materials for lead, hexavalent chromium, and mercury, and 0.01% for cadmium, or qualify for an exemption to these limits as defined in the Annexes of Directive 2000/53/EC (ELV). Regarding the REACH Regulation, the information TE provides on SVHC in articles for this part number is based on the latest European Chemicals Agency (ECHA) 'Guidance on requirements for substances in articles' posted at this URL: <https://echa.europa.eu/guidance-documents/guidance-on-reach>

### Compatible Parts



TE Part # 1059402-1  
4503 7941 00,OSP CABLE PLUG



TE Part # 1059404-1  
4503 7985 00,OSP CABLE PLUG



TE Part # 1059523-1  
4533 7388 02



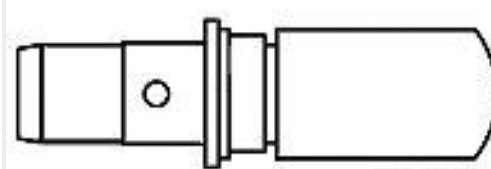
TE Part # 1059456-1  
4506 7985 02



TE Part # 1046301-1  
SCD,1250 2263 02,BMA



TE Part # 1046494-1  
SCD,4503 5058 24,BMA



TE Part # 1059361-1  
4501 5010 00



TE Part # 1059378-1  
4503 5009 00



TE Part # 1059522-1  
4533 7388 00

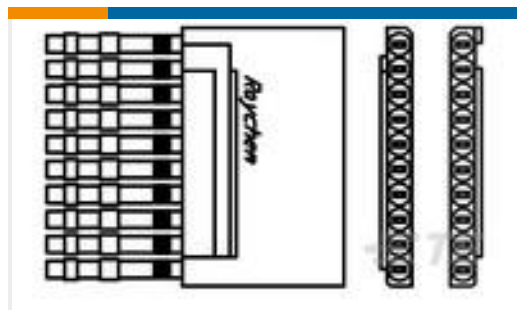


TE Part # 1080227-1  
SCD,1250 2458 00,BMA

### Customers Also Bought



TE Part #CF1386-000  
D-150-0340



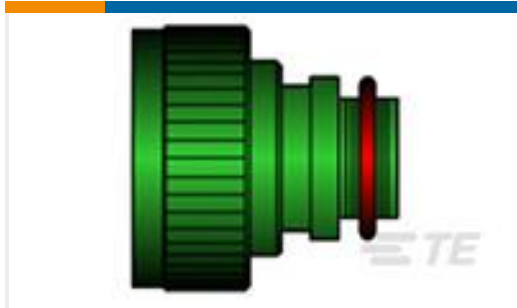
TE Part #860032-000  
MTC100-YB1-009



TE Part #6059628-1  
4557 5066 02,OSP PANEL PLUG



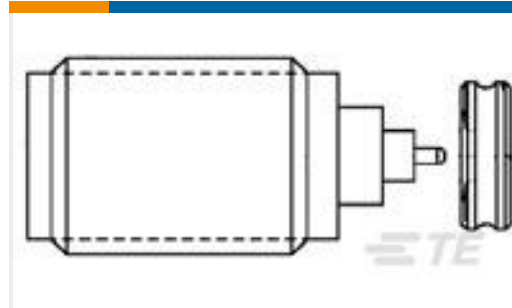
TE Part #4-1617800-9  
FCAC-150-KU4=50 AMP MID-RANGE RELAY



TE Part #147287-000  
TXR41AB00-1614AI



TE Part #YDTS20F21-35JNV001  
D38999: Square Flange, 21-35 insert



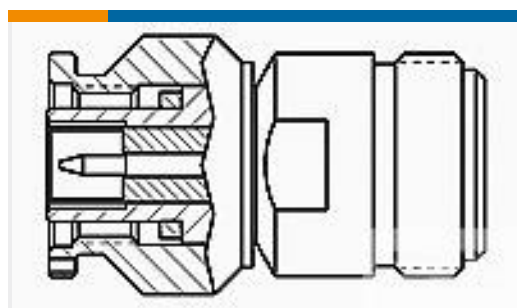
TE Part #1053252-1  
2058 5269 02,OSM JACK RECPT



TE Part #204519-3  
AMPLIMITE,ASY,PLUG,STD,90,4



TE Part #1059651-1  
4557 5368 02



TE Part #1484244-1  
ADAPTER, TNC PLUG TO N JACK  
3682 2311 02

## Documents

### Product Drawings

[4558 1154 02,OSP JACK RECEPT](#)

English

### CAD Files

[3D PDF](#)

3D

Customer View Model

[ENG\\_CVM\\_CVM\\_1059654-1\\_B.2d\\_dxf.zip](#)

English

Customer View Model

[ENG\\_CVM\\_CVM\\_1059654-1\\_B.3d\\_igs.zip](#)

English

Customer View Model

[ENG\\_CVM\\_CVM\\_1059654-1\\_B.3d\\_stp.zip](#)

English

By downloading the CAD file I accept and agree to the [Terms and Conditions](#) of use.

## Datasheets & Catalog Pages



## Blind Mate Connectors

English

---

## Instruction Sheets

[Instruction Sheet \(U.S.\)](#)

English