

1053222-1 ✓ ACTIVE

## AMP SMA

TE Internal #: 1053222-1

AMP SMA, RF Connectors, SMA RF Interface, Jack, RF Connector

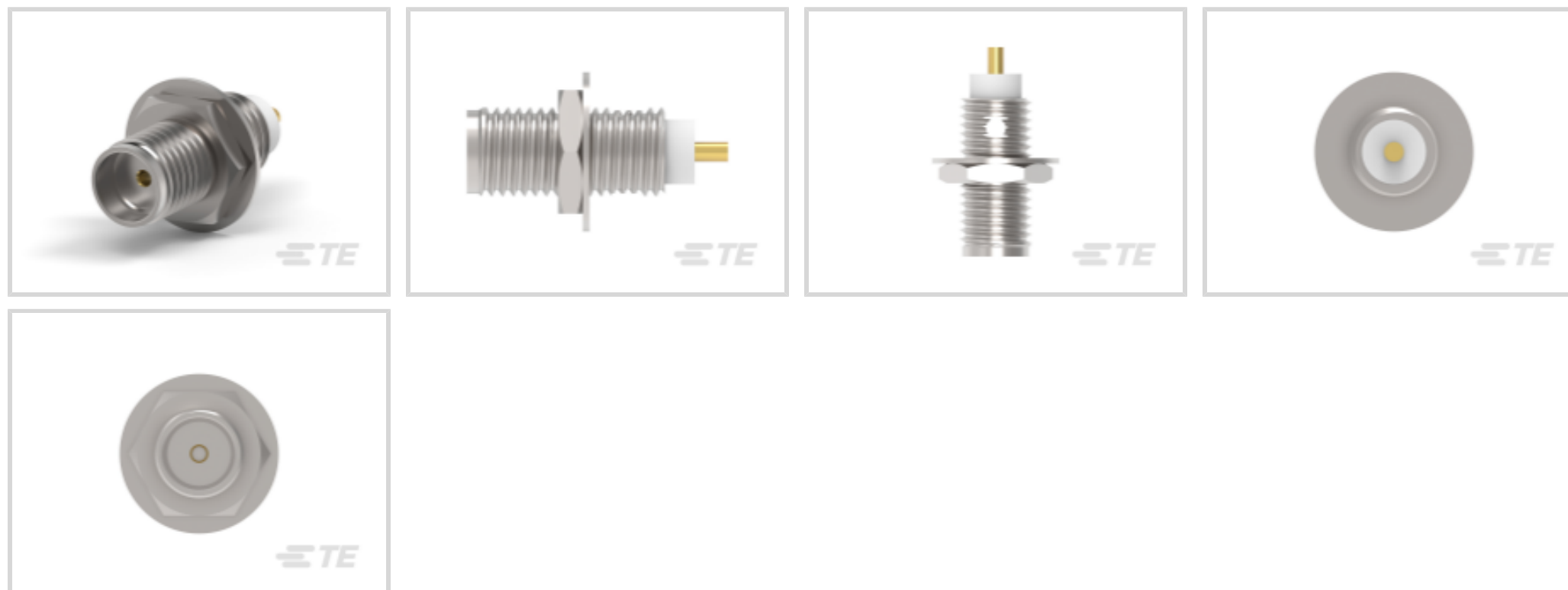
Mated Outer Diameter (Approximate) .25 in [6.35 mm], 50 Ω,

Threaded

[View on TE.com >](#)



Connectors > RF Coax Connectors > RF Connectors



RF Interface: **SMA**

RF Connector Style: **Jack**

RF Connector Mated Outer Diameter (Approximate): **6.35 mm [ .25 in ]**

Impedance: **50 Ω**

RF Connector Coupling Mechanism: **Threaded**

## Features

### Product Type Features

Connector Product Type	Connector Assembly
RF Interface	SMA
RF Connector Style	Jack
Connector System	Cable-to-Panel
Sealable	No

### Configuration Features

Number of Positions	1
Number of Coaxial Contacts	1

### Electrical Characteristics

Impedance	50 Ω
-----------	------

### Body Features

Cable Connector Orientation	Straight
Body Material	Stainless Steel
Body Material Finish	Passivated

### Contact Features

RF Connector Center Contact Underplating Material	Nickel
RF Connector Contact Configuration	Captivated Contacts
RF Connector Center Contact Plating Material	Gold
RF Connector Center Contact Material	Beryllium Copper

### Termination Features

Termination Method to Wire & Cable	Solder
------------------------------------	--------

### Mechanical Attachment

Panel Attachment Style	Rear Mount
RF Connector Coupling Mechanism	Threaded
Connector Mounting Type	Panel Mount
RF Contact Captivation Method	Epoxy
Detent	Without

### Dimensions

Product Length	16.75 mm [.659 in]
RF Connector Mated Outer Diameter (Approximate)	6.35 mm [.25 in]

### Usage Conditions

Operating Temperature Range	-65 – 125 °C [-85 – 257 °F]
-----------------------------	-----------------------------

### Operation/Application

Operating Frequency	18 GHz
---------------------	--------

### Packaging Features

Packaging Method	Bag
------------------	-----

### Other

Dielectric Material	TFE Fluorocarbon
---------------------	------------------

### Product Compliance

[For compliance documentation, visit the product page on TE.com>](#)

EU RoHS Directive 2011/65/EU	Compliant with Exemptions
EU ELV Directive 2000/53/EC	Compliant with Exemptions
China RoHS 2 Directive MIIT Order No 32, 2016	Restricted Materials Above Threshold
EU REACH Regulation (EC) No. 1907/2006	Current ECHA Candidate List: JAN 2021 (211)



Candidate List Declared Against: JAN 2021 (211)

SVHC > Threshold:

Pb (.6% in Component Part)

**Article Safe Usage Statements:**

Do not eat, drink or smoke when using this product. Wash thoroughly after handling. Recycle if possible and dispose of the article by following all applicable governmental regulations relevant to your geographic location.

Halogen Content Low Bromine/Chlorine - Br and Cl < 900 ppm per homogenous material. Also BFR /CFR/PVC Free

Solder Process Capability

Pin-in-Paste capable to 260°C

**Product Compliance Disclaimer**

This information is provided based on reasonable inquiry of our suppliers and represents our current actual knowledge based on the information they provided. This information is subject to change. The part numbers that TE has identified as EU RoHS compliant have a maximum concentration of 0.1% by weight in homogenous materials for lead, hexavalent chromium, mercury, PBB, PBDE, DBP, BBP, DEHP, DIBP, and 0.01% for cadmium, or qualify for an exemption to these limits as defined in the Annexes of Directive 2011/65/EU (RoHS2). Finished electrical and electronic equipment products will be CE marked as required by Directive 2011/65/EU. Components may not be CE marked. Additionally, the part numbers that TE has identified as EU ELV compliant have a maximum concentration of 0.1% by weight in homogenous materials for lead, hexavalent chromium, and mercury, and 0.01% for cadmium, or qualify for an exemption to these limits as defined in the Annexes of Directive 2000/53/EC (ELV). Regarding the REACH Regulation, the information TE provides on SVHC in articles for this part number is based on the latest European Chemicals Agency (ECHA) 'Guidance on requirements for substances in articles' posted at this URL: <https://echa.europa.eu/guidance-documents/guidance-on-reach>

## Compatible Parts

TE Part # 1051644-1  
2031 5003 02

TE Part # 221789-1  
JACK,PCB,SERIES SMA

TE Part # 2-332004-0  
SMA JAM NUT, PASSIVATED

TE Part # 1050547-1  
2001 5032 00

TE Part # 1050548-1  
2001 5032 02

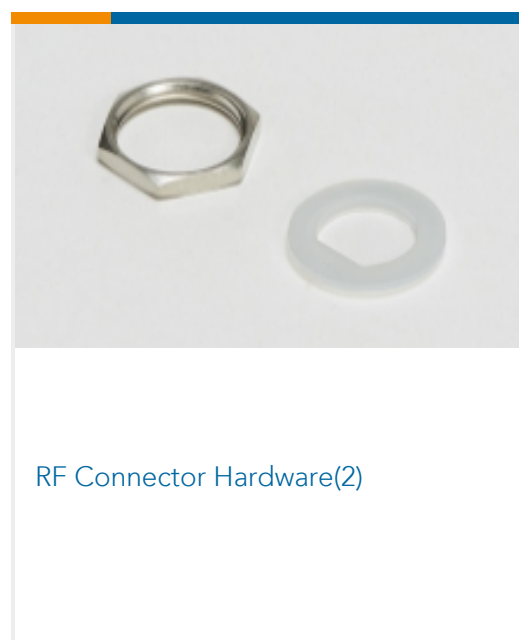
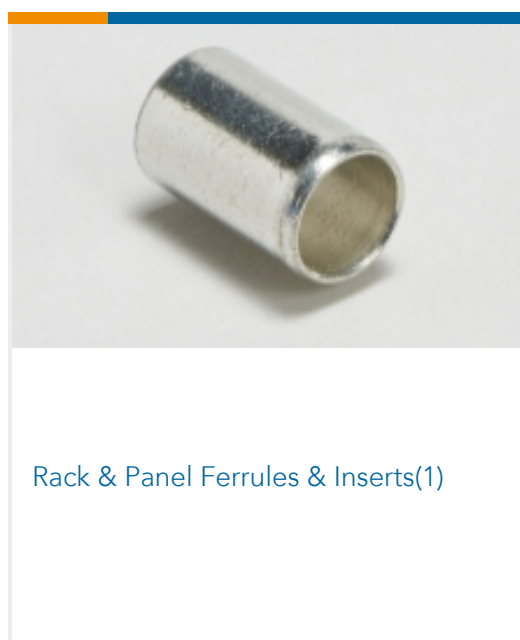
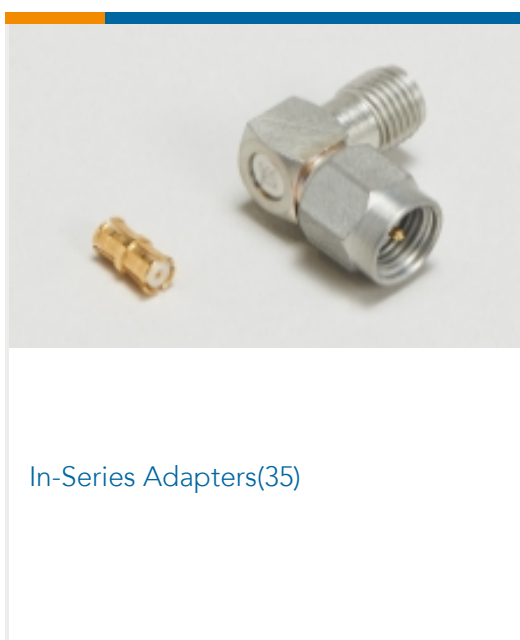
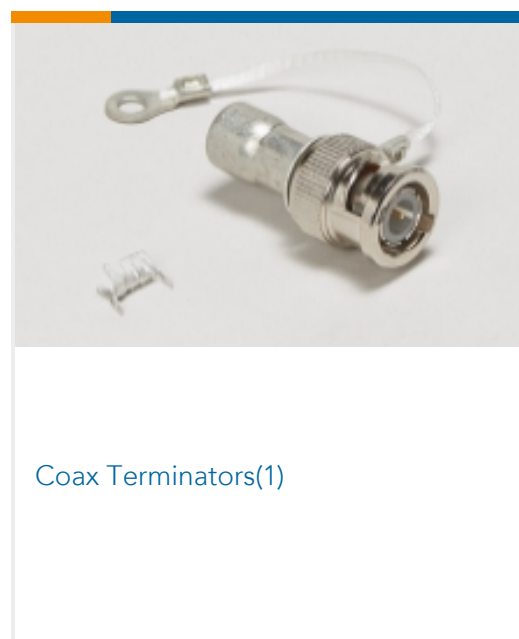
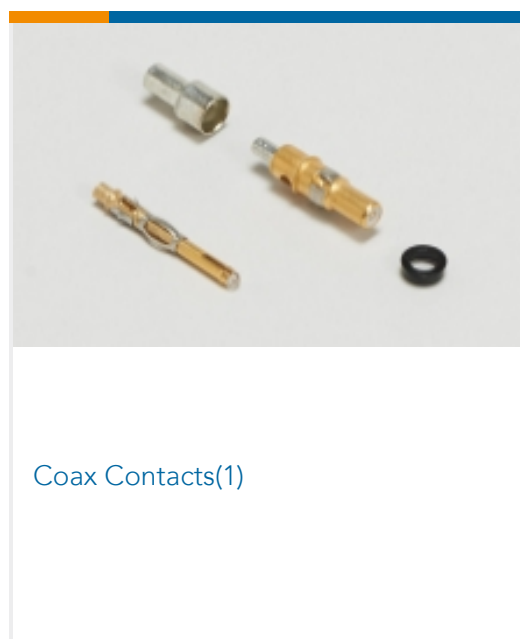
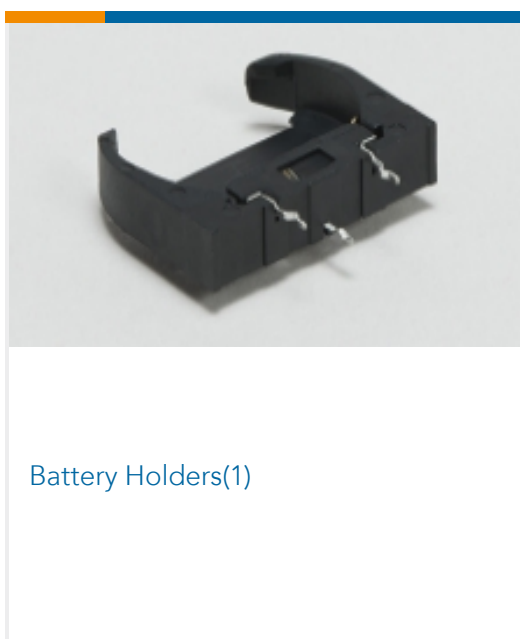
TE Part # 6274096-1  
JACK ASSEMBLY, ACTION PIN, SMA

TE Part # 1056443-1  
2831 7388 02

TE Part # 1050525-1  
2001 5003 02,SMA CABLE PLUG



Also in the Series | AMP SMA





RF Connector Launchers(13)



RF Connector Shrouds(10)



RF Connectors(527)

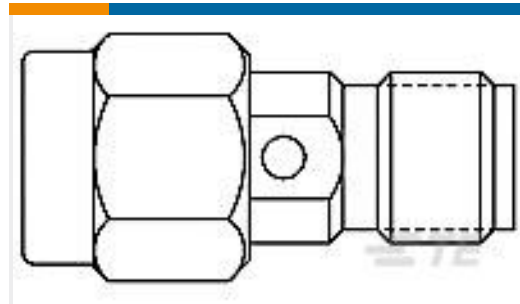
## Customers Also Bought



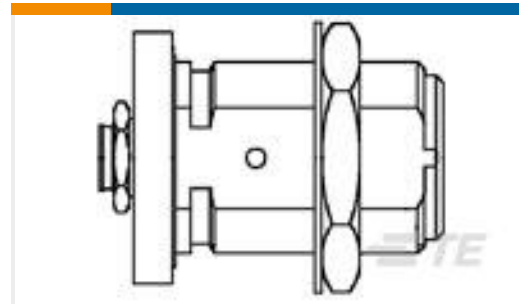
TE Part #1218266-1  
CONT,CRIMP PIN,18AWG,109,SZ 20



TE Part #1052689-1  
2052 3502 02,SMA JACK RECPT



TE Part #1054425-1  
2082 5133 00



TE Part #1058628-1  
3604 7841 02



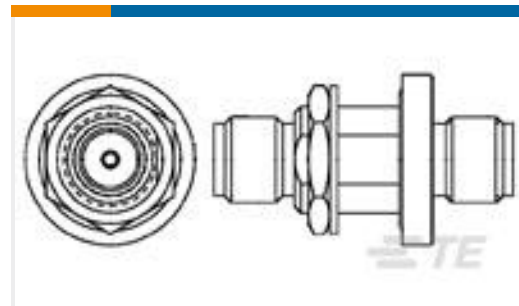
TE Part #1052981-1  
2054 1231 00



TE Part #1393258-8  
Force Guided Power Relay, 2 Poles



TE Part #YDTS24T13-35PBV001  
Jam Nut: D38999, 13-35 Insert



TE Part #1054875-1  
2084 1100 02



TE Part #1617127-2  
JM5C-12XLS = M39016/11-043L



TE Part #1462041-8  
IMB03CTS=IM RELAY 140MW 5V DIE

## Documents

### Product Drawings

[2058 5029 02](#)

English

### CAD Files

[3D PDF](#)

3D

### Customer View Model

[ENG\\_CVM\\_CVM\\_1053222-1\\_B.2d\\_dxf.zip](#)

1053222-1

AMP SMA, RF Connectors, SMA RF Interface, Jack, RF Connector Mated Outer  
Diameter (Approximate) .25 in [6.35 mm], 50 Ω, Threaded



English

Customer View Model

[ENG\\_CVM\\_CVM\\_1053222-1\\_B.3d\\_igs.zip](#)

English

Customer View Model

[ENG\\_CVM\\_CVM\\_1053222-1\\_B.3d\\_stp.zip](#)

English

By downloading the CAD file I accept and agree to the [Terms and Conditions](#) of use.

## Datasheets & Catalog Pages

[SMA Connectors](#)

English