

1051091-1 ✓ ACTIVE

[AMP](#) | [AMP SMA](#)

TE Internal #: 1051091-1

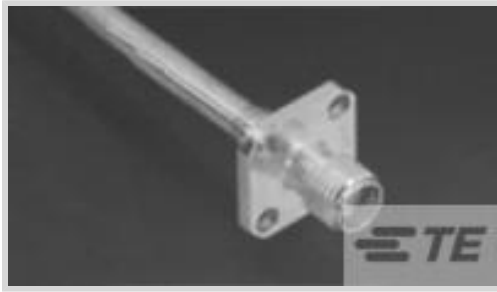
AMP SMA, RF Connectors, SMA RF Interface, Jack, RF Connector

Mated Outer Diameter (Approximate) .354 in [8.99 mm], 50 Ω

[View on TE.com >](#)



[Connectors](#) > [RF Coax Connectors](#) > [RF Connectors](#)



RF Interface: **SMA**

RF Connector Style: **Jack**

RF Connector Mated Outer Diameter (Approximate): **8.99 mm [.354 in]**

Impedance: **50 Ω**

Compatible With RF Cable Type: **RG 405 Semi-Rigid**

Features

Product Type Features

Connector Product Type	Connector Assembly
RF Interface	SMA
RF Connector Style	Jack
Compatible With RF Cable Type	RG 405 Semi-Rigid
Connector & Contact Terminates To	Wire & Cable

Configuration Features

Number of Positions	1
Number of Coaxial Contacts	1

Electrical Characteristics

Impedance	50 Ω
-----------	------

Body Features

Cable Connector Orientation	Straight
Body Material	Stainless Steel
Body Material Finish	Plated
Body Plating Material	Gold

Contact Features

RF Connector Center Contact Underplating Material	Copper, Nickel
RF Connector Contact Configuration	Not Captivated



Ferrule Plating Material	Gold
Ferrule Material	Copper Alloy
RF Connector Center Contact Plating Material	Gold
RF Connector Center Contact Material	Beryllium Copper

Termination Features

Termination Method to Wire & Cable	Solder
------------------------------------	--------

Mechanical Attachment

Panel Attachment Style	Rear Mount
Panel Mount Feature Type	Flange
RF Connector Coupling Mechanism	Threaded
Connector Mounting Type	Panel Mount
RF Contact Captivation Method	Solder

Dimensions

Product Length	12.7 mm[.5 in]
RF Connector Mated Outer Diameter (Approximate)	8.99 mm[.354 in]

Usage Conditions

Operating Temperature Range	-65 – 165 °C[-85 – 329 °F]
-----------------------------	----------------------------

Operation/Application

Operating Frequency	18 GHz
---------------------	--------

Packaging Features

Packaging Method	Package
------------------	---------

Other

Grade	Military
Number of Panel Mounting Holes	4
Military Category	E
Dielectric Material	PTFE

Product Compliance

[For compliance documentation, visit the product page on TE.com>](#)

EU RoHS Directive 2011/65/EU	Compliant with Exemptions
EU ELV Directive 2000/53/EC	Compliant with Exemptions
China RoHS 2 Directive MIIT Order No 32, 2016	Restricted Materials Above Threshold



EU REACH Regulation (EC) No. 1907/2006

Current ECHA Candidate List: JAN 2021 (211)
 Candidate List Declared Against: JAN 2019 (197)
 SVHC > Threshold:
 Not Yet Reviewed

Halogen Content

Not Yet Reviewed for halogen content

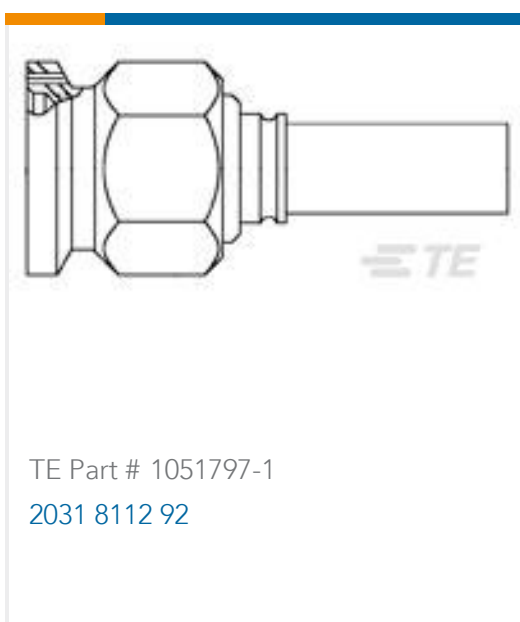
Solder Process Capability

Not applicable for solder process capability

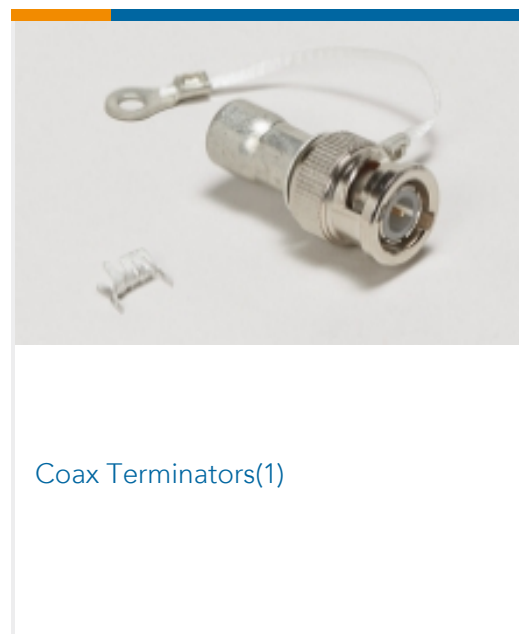
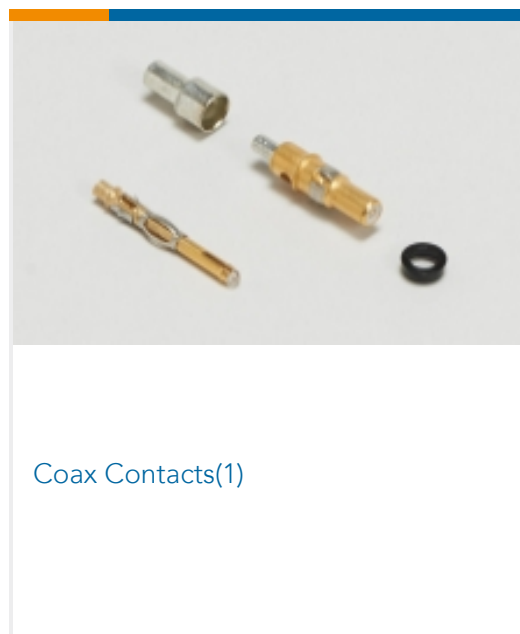
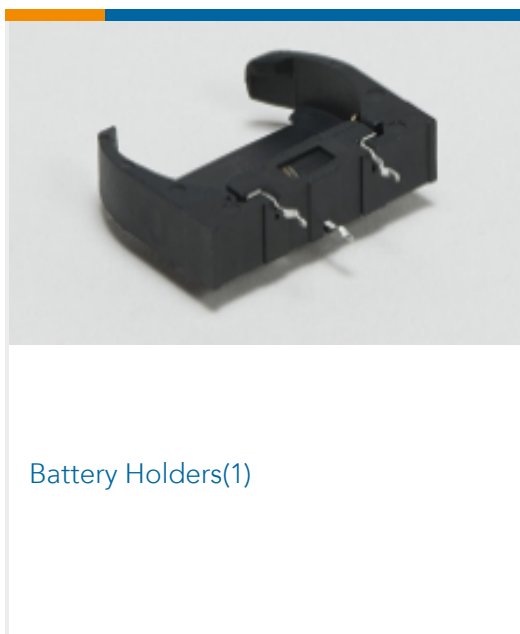
Product Compliance Disclaimer

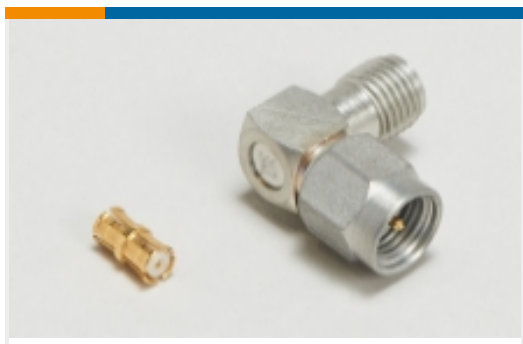
This information is provided based on reasonable inquiry of our suppliers and represents our current actual knowledge based on the information they provided. This information is subject to change. The part numbers that TE has identified as EU RoHS compliant have a maximum concentration of 0.1% by weight in homogenous materials for lead, hexavalent chromium, mercury, PBB, PBDE, DBP, BBP, DEHP, DIBP, and 0.01% for cadmium, or qualify for an exemption to these limits as defined in the Annexes of Directive 2011/65/EU (RoHS2). Finished electrical and electronic equipment products will be CE marked as required by Directive 2011/65/EU. Components may not be CE marked. Additionally, the part numbers that TE has identified as EU ELV compliant have a maximum concentration of 0.1% by weight in homogenous materials for lead, hexavalent chromium, and mercury, and 0.01% for cadmium, or qualify for an exemption to these limits as defined in the Annexes of Directive 2000/53/EC (ELV). Regarding the REACH Regulations, TE's information on SVHC in articles for this part number is still based on the European Chemical Agency (ECHA) 'Guidance on requirements for substances in articles' (Version: 2, April 2011), applying the 0.1% weight on weight concentration threshold at the finished product level. TE is aware of the European Court of Justice ruling of September 10th, 2015 also known as O5A (Once An Article Always An Article) stating that, in case of 'complex object', the threshold for a SVHC must be applied to both the product as a whole and simultaneously to each of the articles forming part of its composition. TE has evaluated this ruling based on the new ECHA "Guidance on requirements for substances in articles" (June 2017, version 4.0) and will be updating its statements accordingly.

Compatible Parts

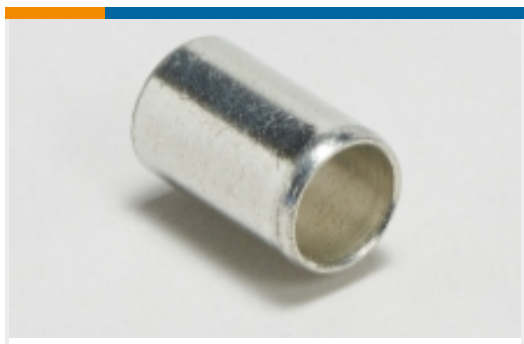


Also in the Series | AMP SMA





In-Series Adapters(35)



Rack & Panel Ferrules & Inserts(1)



RF Cable Assemblies(2)



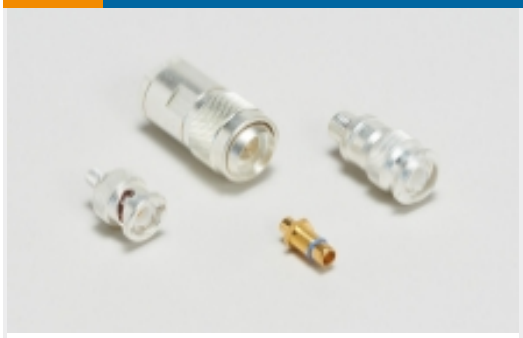
RF Connector Hardware(2)



RF Connector Launchers(13)



RF Connector Shrouds(10)



RF Connectors(527)

Customers Also Bought



TE Part #1053378-1
2064 0000 00



TE Part #1977223-4
FSM2JMASTR=6MM TACT SWITCH,
SMT 160gf,



TE Part #1734577-2
MOD-JK,8P8C,SHD W/LED, G/Y,15U"



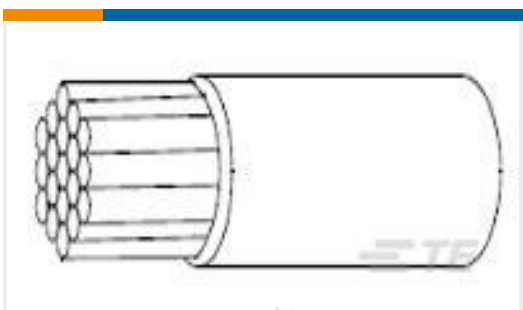
TE Part #221629-2
TERMINATOR,BNC,75 OHM,1 WATT



TE Part #130560
TERMINAL SOLISTRAND RING
TONGUE DIA 6,1



TE Part #1-50871-9
Mini Spring Sockets: Open Bottom, 7.5
A



TE Part #216026-007
55A0111-24-9



TE Part #205170-1
AMPLIMITE,ASY,PLUG,STD,109,5



TE Part #143109-000
44AM1121-26-9/96-9CS2275



TE Part #CZ3657-000
SETR08BI-SIDE-ENTRY-TINEL-LOCK-
RING

Documents



Product Drawings

[2006 8005 90](#)

English

Datasheets & Catalog Pages

[Products for Aerospace and Defense](#)

English

Instruction Sheets

[Instruction Sheet \(U.S.\)](#)

English