

1050776-1 ✓ ACTIVE

[AMP](#) | [AMP SMA](#)

TE Internal #: 1050776-1

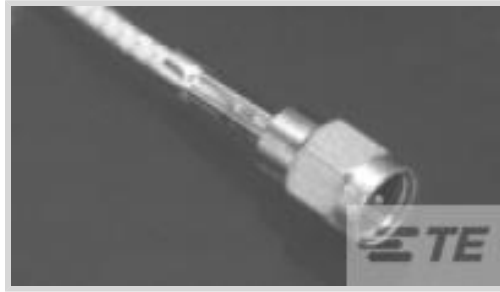
AMP SMA, RF Connectors, SMA RF Interface, Plug, RF Connector

Mated Outer Diameter (Approximate) .354 in [8.99 mm], 50 Ω

[View on TE.com >](#)



[Connectors](#) > [RF Coax Connectors](#) > [RF Connectors](#)



RF Interface: **SMA**

RF Connector Style: **Plug**

RF Connector Mated Outer Diameter (Approximate): **8.99 mm [.354 in]**

Impedance: **50 Ω**

Compatible With RF Cable Type: **RG 402 Semi-Rigid**

Features

Product Type Features

Connector Product Type	Connector Assembly
RF Interface	SMA
RF Connector Style	Plug
Compatible With RF Cable Type	RG 402 Semi-Rigid
Connector & Contact Terminates To	Wire & Cable
Connector Seal Type	Interfacial Seal

Configuration Features

Number of Positions	1
Number of Coaxial Contacts	1

Electrical Characteristics

Impedance	50 Ω
-----------	------

Body Features

Cable Connector Orientation	Straight
Body Material	Stainless Steel
Body Material Finish	Plated
Body Plating Material	Gold

Contact Features

RF Connector Center Contact Underplating Material	Copper
---	--------

RF Connector Center Contact Plating Material	Gold
--	------

RF Connector Center Contact Material	Beryllium Copper
--------------------------------------	------------------

Termination Features

Termination Method to Wire & Cable	Solder
------------------------------------	--------

Mechanical Attachment

Mating Retention Type	Safety Wire Holes
-----------------------	-------------------

RF Connector Coupling Mechanism	Threaded
---------------------------------	----------

Connector Mounting Type	Cable Mount (Free-Hanging)
-------------------------	----------------------------

RF Contact Captivation Method	Solder
-------------------------------	--------

Dimensions

Product Length	11.18 mm[.44 in]
----------------	------------------

RF Connector Mated Outer Diameter (Approximate)	8.99 mm[.354 in]
---	------------------

Usage Conditions

Operating Temperature Range	-65 – 165 °C[-85 – 329 °F]
-----------------------------	----------------------------

Operation/Application

Operating Frequency	18 GHz
---------------------	--------

Packaging Features

Packaging Method	Package
------------------	---------

Other

Grade	Military
-------	----------

Coupling Nut Plating Finish	Passivated
-----------------------------	------------

Mounting Nut Material	Stainless Steel
-----------------------	-----------------

Coupling Nut Base Material	Stainless Steel
----------------------------	-----------------

Military Category	B
-------------------	---

Dielectric Material	PTFE
---------------------	------

Product Compliance

[For compliance documentation, visit the product page on TE.com>](#)

EU RoHS Directive 2011/65/EU	Compliant with Exemptions
------------------------------	---------------------------

EU ELV Directive 2000/53/EC	Compliant with Exemptions
-----------------------------	---------------------------

China RoHS 2 Directive MIIT Order No 32, 2016	Restricted Materials Above Threshold
---	--------------------------------------

EU REACH Regulation (EC) No. 1907/2006	
--	--



Current ECHA Candidate List: JAN 2021
 (211)
 Candidate List Declared Against: JAN 2021
 (211)
 SVHC > Threshold:
 Pb (3.7% in Component Part)

Article Safe Usage Statements:
 Do not eat, drink or smoke when using this product. Wash thoroughly after handling. Recycle if possible and dispose of the article by following all applicable governmental regulations relevant to your geographic location.

Halogen Content

BFR/CFR/PVC Free, but Br/Cl >900 ppm in other sources.

Solder Process Capability

Not applicable for solder process capability

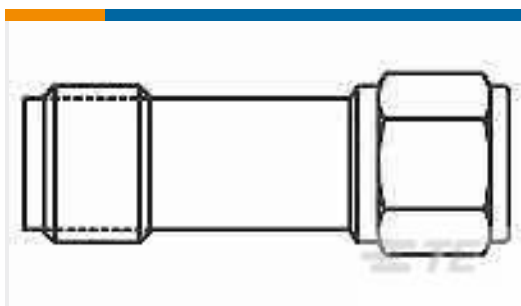
Product Compliance Disclaimer

This information is provided based on reasonable inquiry of our suppliers and represents our current actual knowledge based on the information they provided. This information is subject to change. The part numbers that TE has identified as EU RoHS compliant have a maximum concentration of 0.1% by weight in homogenous materials for lead, hexavalent chromium, mercury, PBB, PBDE, DBP, BBP, DEHP, DIBP, and 0.01% for cadmium, or qualify for an exemption to these limits as defined in the Annexes of Directive 2011/65/EU (RoHS2). Finished electrical and electronic equipment products will be CE marked as required by Directive 2011/65/EU. Components may not be CE marked. Additionally, the part numbers that TE has identified as EU ELV compliant have a maximum concentration of 0.1% by weight in homogenous materials for lead, hexavalent chromium, and mercury, and 0.01% for cadmium, or qualify for an exemption to these limits as defined in the Annexes of Directive 2000/53/EC (ELV). Regarding the REACH Regulation, the information TE provides on SVHC in articles for this part number is based on the latest European Chemicals Agency (ECHA) 'Guidance on requirements for substances in articles' posted at this URL: <https://echa.europa.eu/guidance-documents/guidance-on-reach>

Compatible Parts



TE Part # 1053372-1
 2062 8001 90,OSM JACK, QPL



TE Part # 1056707-1
 2982 2240 00

Also in the Series | AMP SMA



Battery Holders(1)



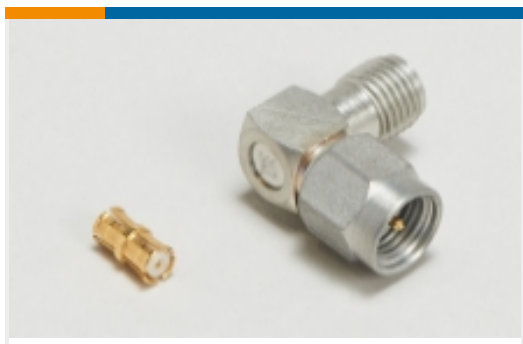
Between Series Adapters(3)



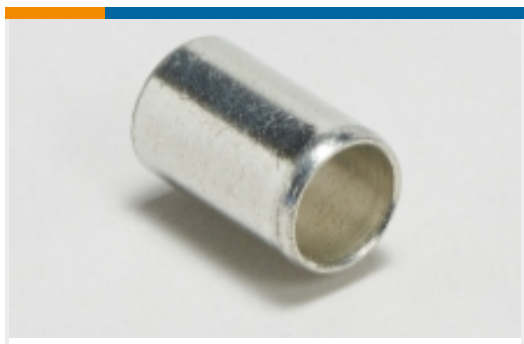
Coax Contacts(1)



Coax Terminators(1)



In-Series Adapters(35)



Rack & Panel Ferrules & Inserts(1)



RF Cable Assemblies(2)



RF Connector Hardware(2)



RF Connector Launchers(13)



RF Connector Shrouds(10)



RF Connectors(527)

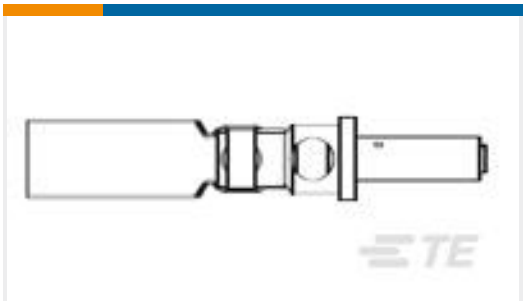
Customers Also Bought



TE Part #1050524-1
2001 5003 00,SMA CABLE PLUG



TE Part #YDTS20W17-06BNV001
D38999: Square Flange, 17-06 insert



TE Part #126628-000
D-602-0173



TE Part #1050785-1
SMA Cable Plug 2001 8101 92



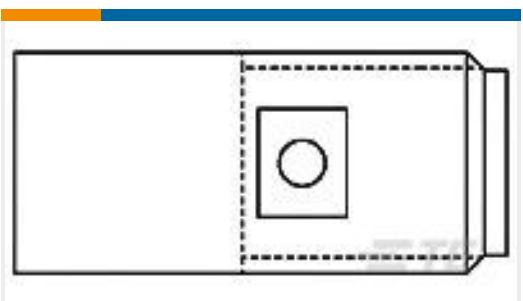
TE Part #1059506-1
4522 7985 02



TE Part #1050602-1
2001 5395 02



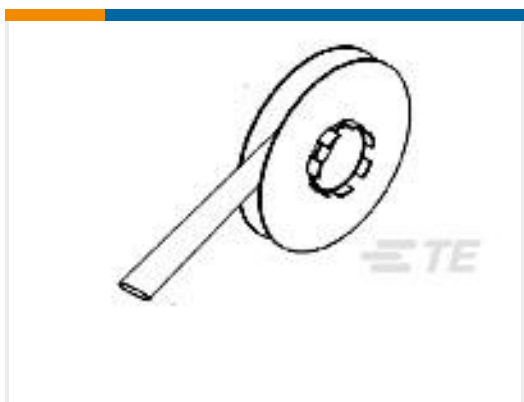
TE Part #1059465-1
4510 7941 00,OSP CABLE JACK



TE Part #1059928-1
ADAPTER, OSSP JACK TO SMA JACK



TE Part #115477-000
55A1821-24-2/6-9CS2275



TE Part #121444-000
TTMS-25.4-4

Documents



Product Drawings

[2001 8002 92](#)

English

CAD Files

[3D PDF](#)

3D

Customer View Model

[ENG_CVM_CVM_1050776-1_E.2d_dxf.zip](#)

English

Customer View Model

[ENG_CVM_CVM_1050776-1_E.3d_igs.zip](#)

English

Customer View Model

[ENG_CVM_CVM_1050776-1_E.3d_stp.zip](#)

English

By downloading the CAD file I accept and agree to the [Terms and Conditions](#) of use.

Datasheets & Catalog Pages

[Products for Aerospace and Defense](#)

English

Instruction Sheets

[Instruction Sheet \(U.S.\)](#)

English