

1SNA400711R0600 ✓ ACTIVE



TE Internal #: 1SNA400711R0600

Terminal Block & Strip Conducting Accessories, Jumper Bar, 6 Pole, Black, Product Spacing .31 in [8 mm], 70A Contact Current Rating (Max), Power

[View on TE.com >](#)

Connectors > Terminal Blocks & Strips > Terminal Block & Strip Accessories > Terminal Block & Strip Conducting Accessories



Conducting Accessory Type: **Jumper Bar**

Number of Poles: **6**

Primary Product Color: **Black**

Product Spacing: **8 mm [.31 in]**

Contact Current Rating (Max): **70 A**

Features

Product Type Features

Conducting Accessory Type	Jumper Bar
---------------------------	------------

Configuration Features

Number of Poles	6
-----------------	---

Body Features

Product Weight	6.6 g [.232 oz]
----------------	-----------------

Primary Product Color	Black
-----------------------	-------

Contact Features

Contact Current Rating (Max)	70 A
------------------------------	------

Dimensions

Product Spacing	8 mm [.31 in]
-----------------	---------------

Usage Conditions

Operating Temperature Range	-55 – 110 °C [-67 – 230 °F]
-----------------------------	-----------------------------

Operation/Application

Circuit Application	Power
---------------------	-------

Product Compliance

[For compliance documentation, visit the product page on TE.com>](#)



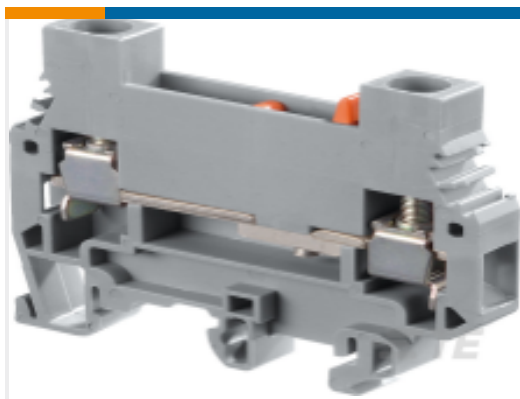
EU RoHS Directive 2011/65/EU	Compliant
EU ELV Directive 2000/53/EC	Compliant
China RoHS 2 Directive MIIT Order No 32, 2016	No Restricted Materials Above Threshold
EU REACH Regulation (EC) No. 1907/2006	Current ECHA Candidate List: JAN 2021 (211) Candidate List Declared Against: JAN 2021 (211) Does not contain REACH SVHC
Halogen Content	Not Yet Reviewed for halogen content
Solder Process Capability	Not reviewed for solder process capability

Product Compliance Disclaimer

This information is provided based on reasonable inquiry of our suppliers and represents our current actual knowledge based on the information they provided. This information is subject to change. The part numbers that TE has identified as EU RoHS compliant have a maximum concentration of 0.1% by weight in homogenous materials for lead, hexavalent chromium, mercury, PBB, PBDE, DBP, BBP, DEHP, DIBP, and 0.01% for cadmium, or qualify for an exemption to these limits as defined in the Annexes of Directive 2011/65/EU (RoHS2). Finished electrical and electronic equipment products will be CE marked as required by Directive 2011/65/EU. Components may not be CE marked. Additionally, the part numbers that TE has identified as EU ELV compliant have a maximum concentration of 0.1% by weight in homogenous materials for lead, hexavalent chromium, and mercury, and 0.01% for cadmium, or qualify for an exemption to these limits as defined in the Annexes of Directive 2000/53/EC (ELV). Regarding the REACH Regulation, the information TE provides on SVHC in articles for this part number is based on the latest European Chemicals Agency (ECHA) 'Guidance on requirements for substances in articles' posted at this URL: <https://echa.europa.eu/guidance-documents/guidance-on-reach>

Compatible Parts

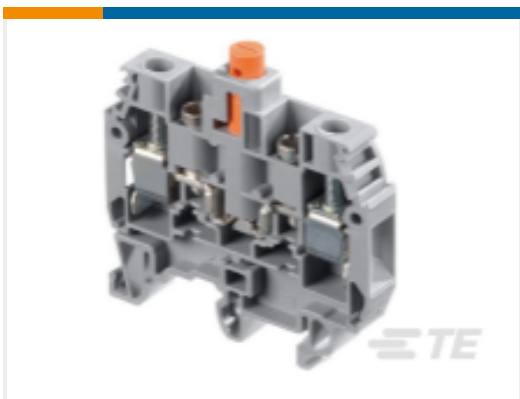




TE Part # 1SNA115359R0200
M6/8.STA



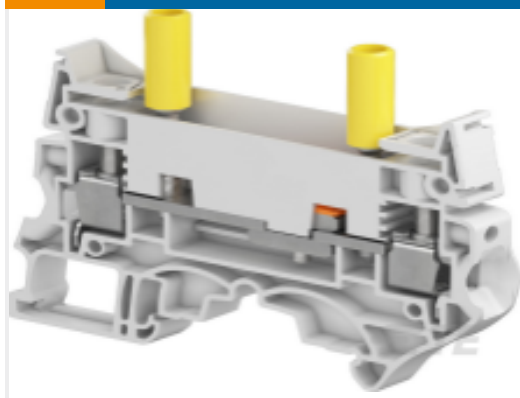
TE Part # 1SNA115500R2500
M6/8.STP3



TE Part # 1SNA115529R1500
M6/8.STP1



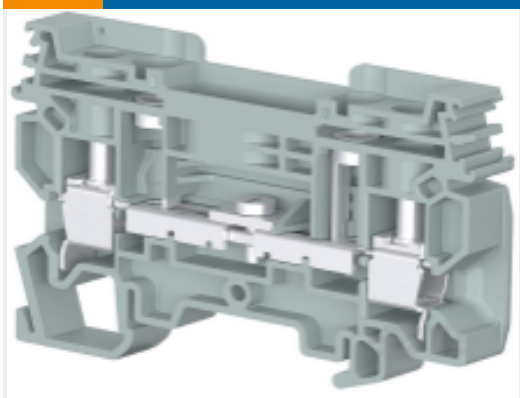
TE Part # 1SNA115971R1000
M6/8.ST1.IP20



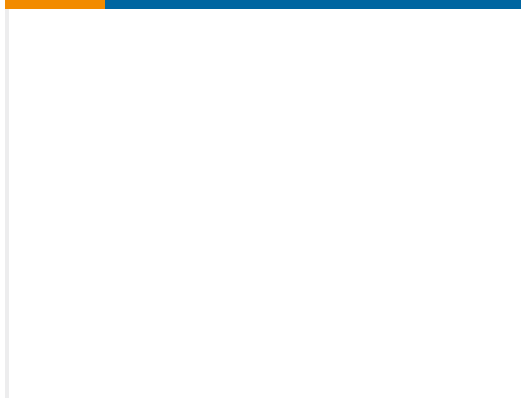
TE Part # 1SNK508311R0000
ZS10-ST-T4



TE Part # 1SNK508312R0000
ZS10-ST-1



TE Part # 1SNL508310R0000
C6/8.ST1



TE Part # 1SNA113550R2400
EIP



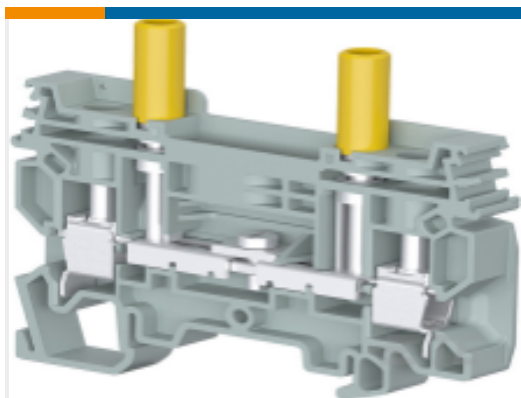
TE Part # 1SNA105141R2700
M6/8.STP



TE Part # 1SNA105142R2000
M6/8.STP



TE Part # 1SNA115499R1000
M6/8.STP2



TE Part # 1SNL508311R0000
C6/8.ST1.IP20

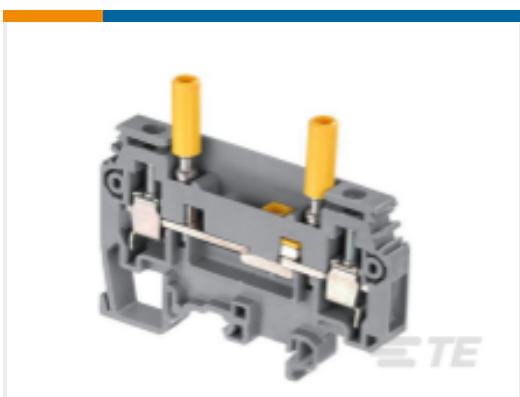
Customers Also Bought



TE Part # 1SNK506210R0000
ZS6-D2



TE Part # 8-2176412-8
5W XSM M/OX 5% 22K



TE Part # 1SNA115971R1000
M6/8.ST1.IP20



TE Part # 1SNA116538R1700
PC8-2



TE Part # 1SNA116539R1000
PC8-3



TE Part # 1SNA116540R2500
PC8-4



TE Part # 1SNK150051R0000
MC612PA 41->50 (x10) Horizontal



TE Part # 1SNK150061R0000
MC612PA 51->60 (x10) Horizontal



Documents

CAD Files

[3D PDF](#)

3D

Customer View Model

[ENG_CVM_CVM_1SNA400711R0600_A.2d_dxf.zip](#)

English

Customer View Model

[ENG_CVM_CVM_1SNA400711R0600_A.3d_igs.zip](#)

English

Customer View Model

[ENG_CVM_CVM_1SNA400711R0600_A.3d_stp.zip](#)

English

By downloading the CAD file I accept and agree to the [Terms and Conditions](#) of use.

Datasheets & Catalog Pages

[PC8-R1](#)

English

[SNK SERIES TERMINAL BLOCKS](#)

English

[ENTRELEC Terminal Block - Master Catalog](#)

English

[ENTRELEC Terminal Blocks Catalogue \(RUS\)](#)