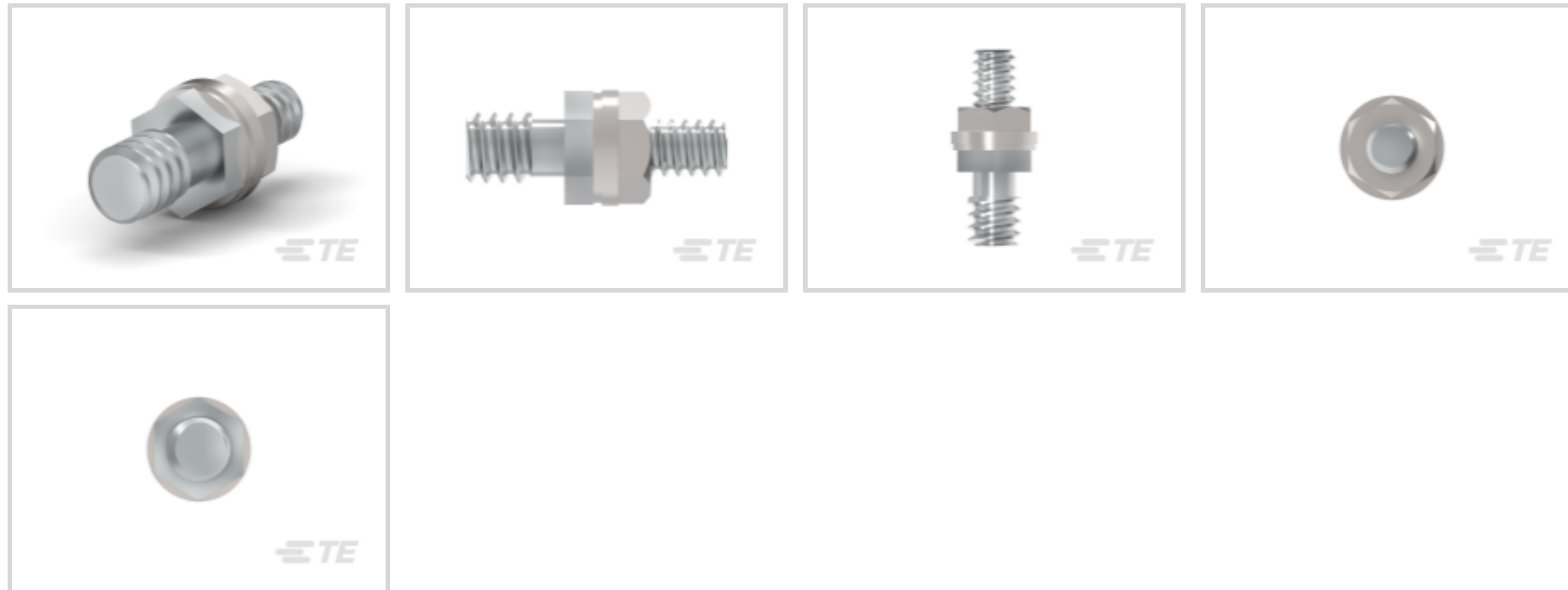




Connectors > PCB Connectors > Wire-to-Board Connectors > FFC, FPC & Ribbon Connectors > FFC Accessories



Jackscrew Style: **Male**
 Jackscrew Type: **Fixed**
 Connector System: **Cable-to-Board**

Features

Product Type Features

Connector System	Cable-to-Board
------------------	----------------

Mechanical Attachment

Jackscrew Style	Male
Jackscrew Type	Fixed

Product Compliance

[For compliance documentation, visit the product page on TE.com>](#)

EU RoHS Directive 2011/65/EU	Compliant
EU ELV Directive 2000/53/EC	Compliant
China RoHS 2 Directive MIIT Order No 32, 2016	No Restricted Materials Above Threshold
EU REACH Regulation (EC) No. 1907/2006	Current ECHA Candidate List: JAN 2021 (211) Candidate List Declared Against: JAN 2021 (211) Does not contain REACH SVHC
Halogen Content	Low Halogen - Br, Cl, F, I < 900 ppm per homogenous material. Also BFR/CFR/PVC Free
Solder Process Capability	Not applicable for solder process capability

Product Compliance Disclaimer

This information is provided based on reasonable inquiry of our suppliers and represents our current actual knowledge based on the information they provided. This information is subject to change. The part numbers that TE has identified as EU RoHS compliant have a maximum concentration of 0.1% by weight in homogenous materials for lead, hexavalent chromium, mercury, PBB, PBDE, DBP, BBP, DEHP, DIBP, and 0.01% for cadmium, or qualify for an exemption to these limits as defined in the Annexes of Directive 2011/65/EU (RoHS2). Finished electrical and electronic equipment products will be CE marked as required by Directive 2011/65/EU. Components may not be CE marked. Additionally, the part numbers that TE has identified as EU ELV compliant have a maximum concentration of 0.1% by weight in homogenous materials for lead, hexavalent chromium, and mercury, and 0.01% for cadmium, or qualify for an exemption to these limits as defined in the Annexes of Directive 2000/53/EC (ELV). Regarding the REACH Regulation, the information TE provides on SVHC in articles for this part number is based on the latest European Chemicals Agency (ECHA) 'Guidance on requirements for substances in articles' posted at this URL: <https://echa.europa.eu/guidance-documents/guidance-on-reach>

Customers Also Bought



TE Part #206429-1
CPC SERIES 6



TE Part #0462-209-16141
DEUTSCH SOLID CONTACTS



TE Part #206070-8
CPC CABLE CLAMPS



TE Part #114017-ZZ
DEUTSCH SEALING PLUGS



TE Part #1-480698-0
02P UMNL PLUG HSG NATL



TE Part #1-1879338-3
CPF 0603 35K7 1% 50PPM 1K RL



TE Part #YDTS21N11-99PCV001
HERM RECP

Documents

Product Drawings

FFC FIXED JACKSCREW KIT

English

CAD Files

3D PDF

3D

Customer View Model

[ENG_CVM_CVM_88619-2_K.2d_dxf.zip](#)

English

Customer View Model

[ENG_CVM_CVM_88619-2_K.3d_igs.zip](#)

English

Customer View Model



[ENG_CVM_CVM_88619-2_K.3d_stp.zip](#)

English

By downloading the CAD file I accept and agree to the [Terms and Conditions](#) of use.

[Product Specifications](#)

[Application Specification](#)

English

[Product Environmental Compliance](#)

[TE Material Declaration](#)

English

[Instruction Sheets](#)

[Instruction Sheet \(U.S.\)](#)

English

[FLEXIBLE FLAT CABLE \(FFC\) JACKSCREW ASSEMBLIES AND LATCH-TYPE HAR](#)

English