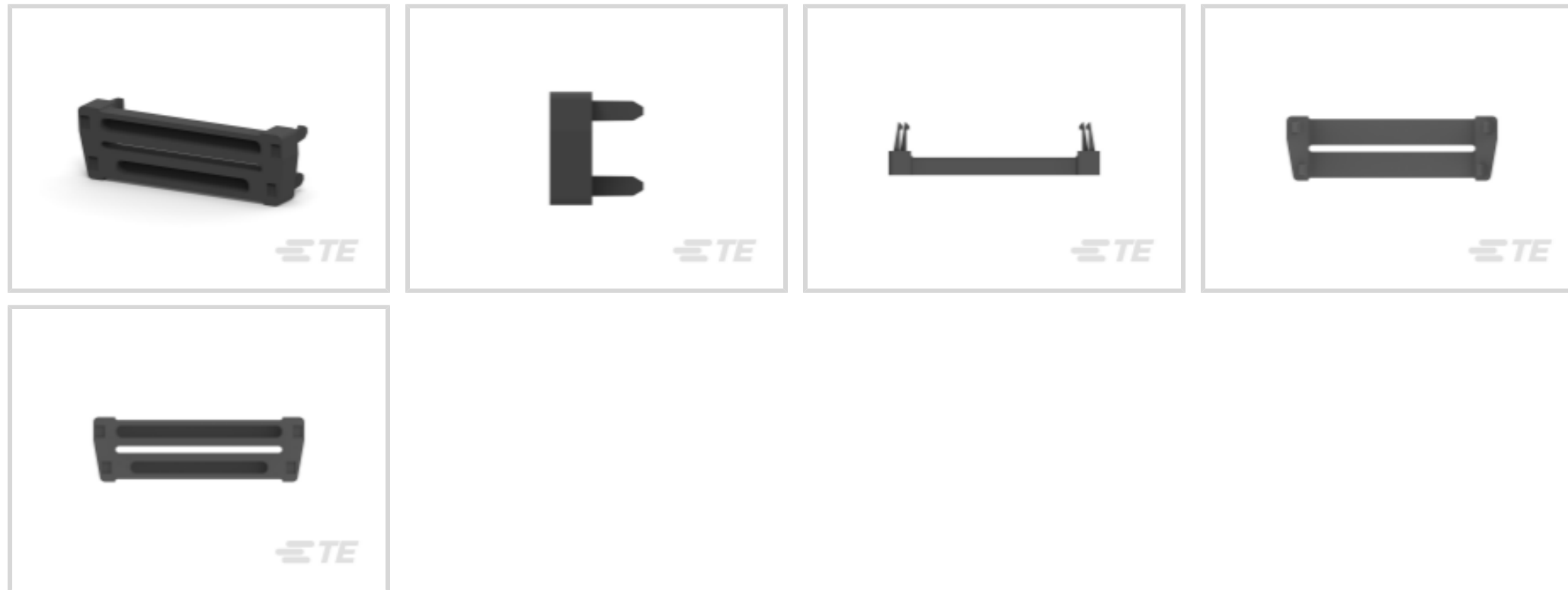




Connectors > D-Shaped Connectors > D-Sub Accessories > Locking & Mounting



D-Shaped Connector Accessories: **Strain Relief**

Connector & Contact Terminates To: **Wire & Cable**

## Features

### Product Type Features

Grade	Standard
Product Type	Accessory
D-Shaped Connector Accessories	Strain Relief
Connector & Contact Terminates To	Wire & Cable

### Body Features

Material	Thermoplastic
----------	---------------

### Mechanical Attachment

Mounting Angle	Straight
PCB Mount Retention Type	None

### Dimensions

	1.623 in
--	----------

### Operation/Application

For Use With	Cable Connectors
--------------	------------------

### Packaging Features

Packaging Quantity	1
Packaging Method	Package

## Product Compliance

[For compliance documentation, visit the product page on TE.com>](#)

EU RoHS Directive 2011/65/EU	Compliant
EU ELV Directive 2000/53/EC	Compliant
China RoHS 2 Directive MIIT Order No 32, 2016	No Restricted Materials Above Threshold
EU REACH Regulation (EC) No. 1907/2006	Current ECHA Candidate List: JAN 2021 (211) Candidate List Declared Against: JAN 2021 (211) Does not contain REACH SVHC
Halogen Content	Not Low Halogen - contains Br or Cl > 900 ppm.
Solder Process Capability	Not applicable for solder process capability

### Product Compliance Disclaimer

This information is provided based on reasonable inquiry of our suppliers and represents our current actual knowledge based on the information they provided. This information is subject to change. The part numbers that TE has identified as EU RoHS compliant have a maximum concentration of 0.1% by weight in homogenous materials for lead, hexavalent chromium, mercury, PBB, PBDE, DBP, BBP, DEHP, DIBP, and 0.01% for cadmium, or qualify for an exemption to these limits as defined in the Annexes of Directive 2011/65/EU (RoHS2). Finished electrical and electronic equipment products will be CE marked as required by Directive 2011/65/EU. Components may not be CE marked. Additionally, the part numbers that TE has identified as EU ELV compliant have a maximum concentration of 0.1% by weight in homogenous materials for lead, hexavalent chromium, and mercury, and 0.01% for cadmium, or qualify for an exemption to these limits as defined in the Annexes of Directive 2000/53/EC (ELV). Regarding the REACH Regulation, the information TE provides on SVHC in articles for this part number is based on the latest European Chemicals Agency (ECHA) 'Guidance on requirements for substances in articles' posted at this URL: <https://echa.europa.eu/guidance-documents/guidance-on-reach>

## Compatible Parts



Also in the Series | **AMPLIMITE HDF**



D-Sub Locking &amp; Mounting(8)



IDC D-Sub Connectors(36)

## Customers Also Bought



TE Part #1658613-3  
IDC D-Sub: Plug Assembly, Low Profile, Signal, 2.77 mm



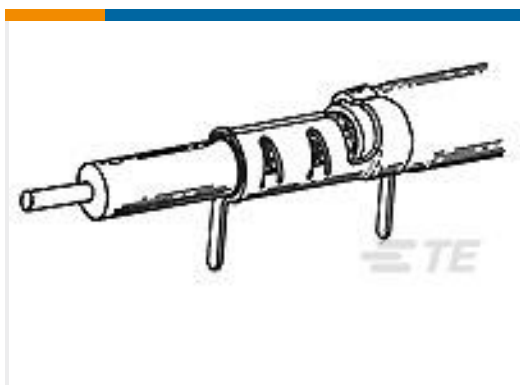
TE Part #1658612-3  
IDC D-Sub: Receptacle Assembly, Low Profile, Signal, 2.77 mm



TE Part #1-749611-2  
IDC D-Sub: Receptacle Assembly, Panel Mount, Signal, 1.27 mm



TE Part #102387-6  
26 MODIV HSG COMP DR .100 POL



TE Part #9-226176-2  
BRAID PIC TERMINAL, LF PLTG

## Documents

### Product Drawings

#### 025 LP HDF STRAIN RELIEF

English

### CAD Files

#### 3D PDF

3D

#### Customer View Model

[ENG\\_CVM\\_CVM\\_747275-2\\_L.2d\\_dxf.zip](#)

English

#### Customer View Model

[ENG\\_CVM\\_CVM\\_747275-2\\_L.3d\\_igs.zip](#)

English

#### Customer View Model

[ENG\\_CVM\\_CVM\\_747275-2\\_L.3d\\_stp.zip](#)

English

By downloading the CAD file I accept and agree to the [Terms and Conditions](#) of use.



---

### Datasheets & Catalog Pages

[AMPLIMITE Subminiature D Connectors - Cable Connectors](#)

English

[AMPLIMITE Cable Connectors and Shielding Hardware Kits QRG](#)

English

---

### Product Specifications

[Product Specification](#)

English

---

### Product Environmental Compliance

[MD\\_747275-2\\_04032018048\\_dmtec](#)

English

[MD\\_747275-2\\_04032018048\\_dmtec](#)

English