

646430-1 ✓ ACTIVE

Z-PACK | Z-PACK 2mm HM

TE Internal #: 646430-1

Z-PACK 2mm HM, PCB Ferrules & Shields, Shield, Lower Shield

Location, Ground Return Shielding

[View on TE.com >](#)



Connectors > PCB Connectors > PCB Connector Accessories > Protection & Strain Relief > Ferrules & Shields



Connector Shielding Accessory Type: **Shield**

Shield Location: **Lower**

Ground Component Type: **Ground Return Shielding**

## Features

### Product Type Features

Connector Shielding Accessory Type	Shield
Ground Component Type	Ground Return Shielding

### Body Features

Shield Location	Lower
-----------------	-------

### Contact Features

Contact Mating Area Plating Material	Tin-Lead
Contact Base Material	Phosphor Bronze

### Packaging Features

Packaging Quantity	100
--------------------	-----

### Other

Comment	Connector lubricated with Bellcore approved lubricant., For use with Right Angle Female Connectors, 8 Row, Type E
---------	---

## Product Compliance

[For compliance documentation, visit the product page on TE.com>](#)

EU RoHS Directive 2011/65/EU	Not Compliant
EU ELV Directive 2000/53/EC	Not Compliant
China RoHS 2 Directive MIIT Order No 32, 2016	Restricted Materials Above Threshold
EU REACH Regulation (EC) No. 1907/2006	Current ECHA Candidate List: JAN 2021 (211)



Candidate List Declared Against: JAN 2021 (211)

SVHC > Threshold:

Pb (13% in Component Part)

**Article Safe Usage Statements:**

Do not eat, drink or smoke when using this product. Wash thoroughly after handling. Recycle if possible and dispose of the article by following all applicable governmental regulations relevant to your geographic location.

Halogen Content

Low Halogen - Br, Cl, F, I < 900 ppm per homogenous material. Also BFR/CFR/PVC Free

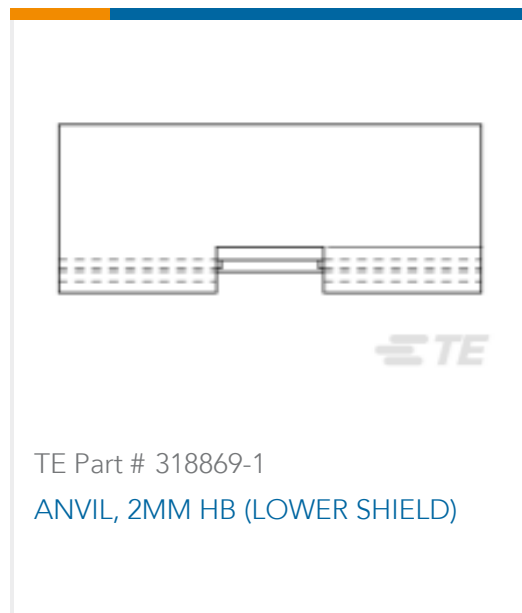
Solder Process Capability

Not applicable for solder process capability

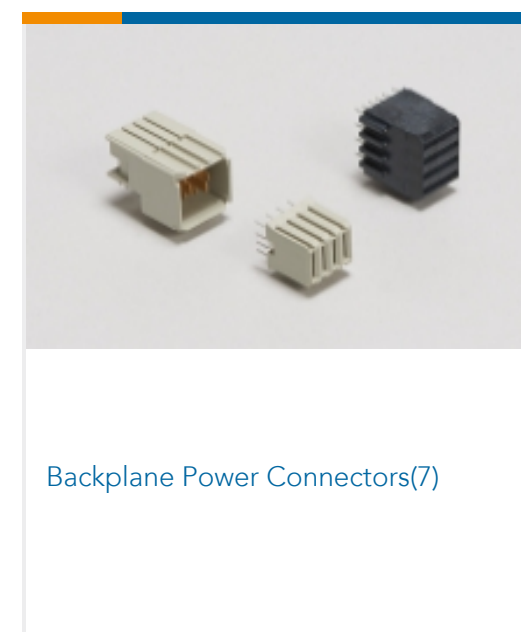
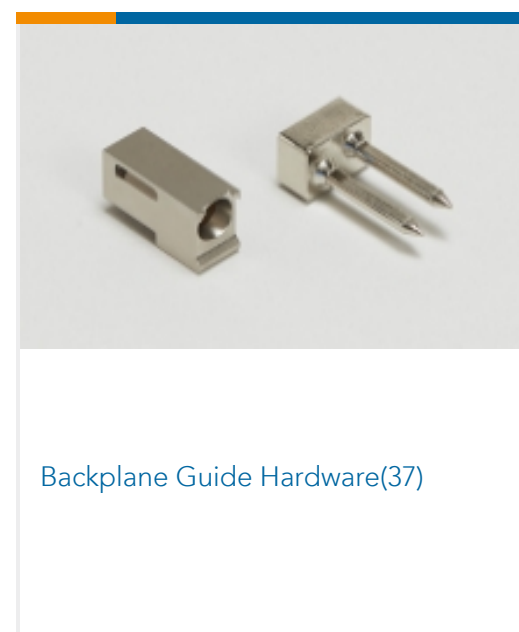
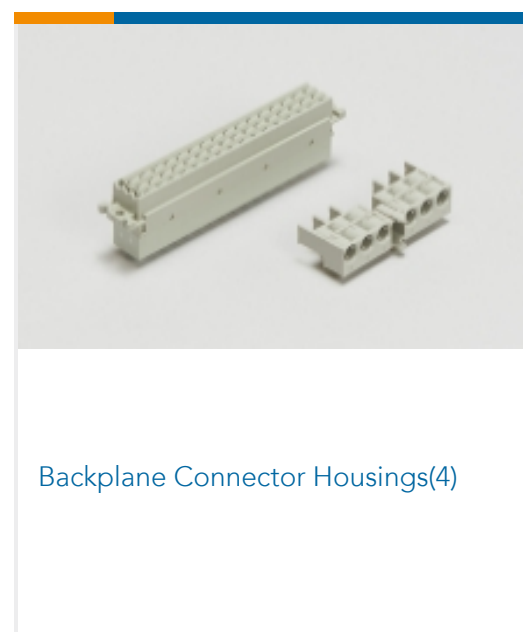
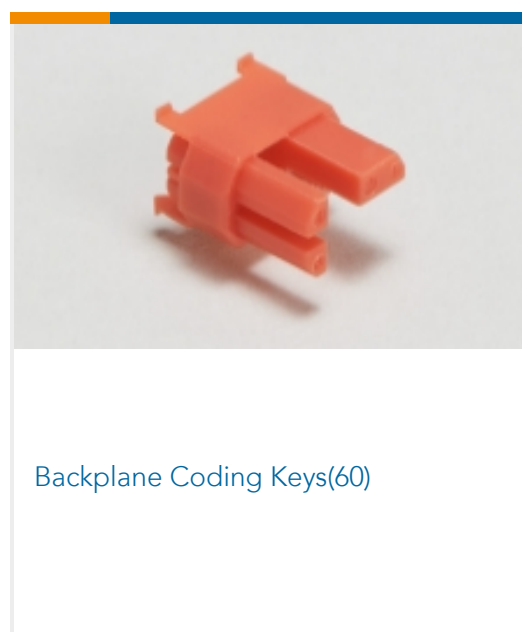
**Product Compliance Disclaimer**

This information is provided based on reasonable inquiry of our suppliers and represents our current actual knowledge based on the information they provided. This information is subject to change. The part numbers that TE has identified as EU RoHS compliant have a maximum concentration of 0.1% by weight in homogenous materials for lead, hexavalent chromium, mercury, PBB, PBDE, DBP, BBP, DEHP, DIBP, and 0.01% for cadmium, or qualify for an exemption to these limits as defined in the Annexes of Directive 2011/65/EU (RoHS2). Finished electrical and electronic equipment products will be CE marked as required by Directive 2011/65/EU. Components may not be CE marked. Additionally, the part numbers that TE has identified as EU ELV compliant have a maximum concentration of 0.1% by weight in homogenous materials for lead, hexavalent chromium, and mercury, and 0.01% for cadmium, or qualify for an exemption to these limits as defined in the Annexes of Directive 2000/53/EC (ELV). Regarding the REACH Regulation, the information TE provides on SVHC in articles for this part number is based on the latest European Chemicals Agency (ECHA) 'Guidance on requirements for substances in articles' posted at this URL: <https://echa.europa.eu/guidance-documents/guidance-on-reach>

## Compatible Parts

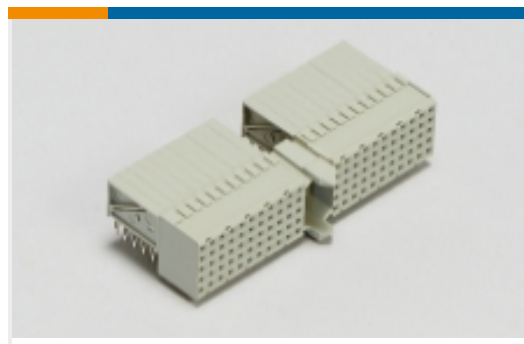


## Also in the Series | Z-PACK 2mm HM





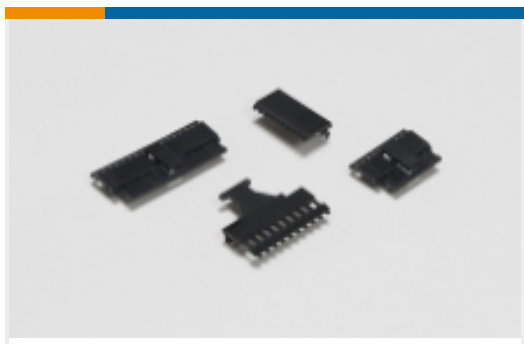
Board-to-Board Connector Contacts(5)



Hard Metric Backplane Connectors (272)



Insertion & Extraction Tools(2)



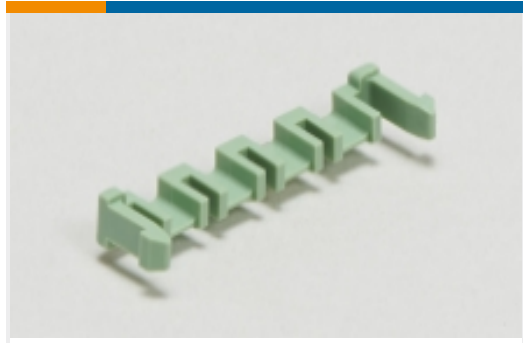
PCB Connector Covers(4)



PCB Connector Shrouds(39)



PCB Ferrules & Shields(19)

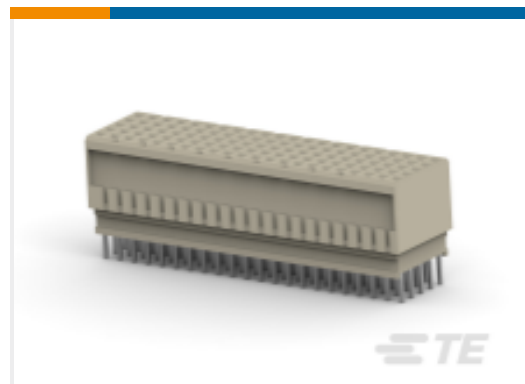


PCB Latches, Locks & Retainers(1)

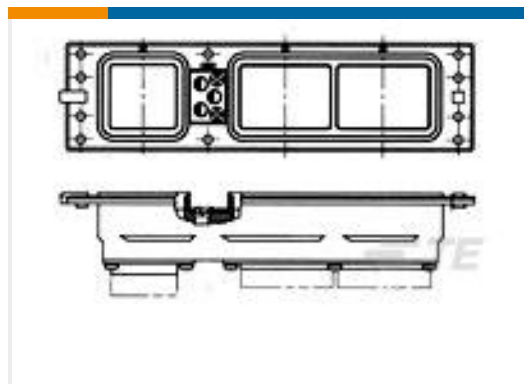


Rectangular Power Connectors(87)

## Customers Also Bought



TE Part #3-646547-0  
Hard Metric Backplane Receptacle Connector: Mezzanine, 2mm



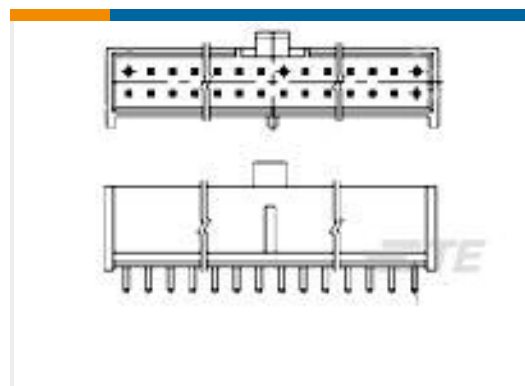
TE Part #211991-9  
RECEPT ASSY,SZ 2,ARINC 600



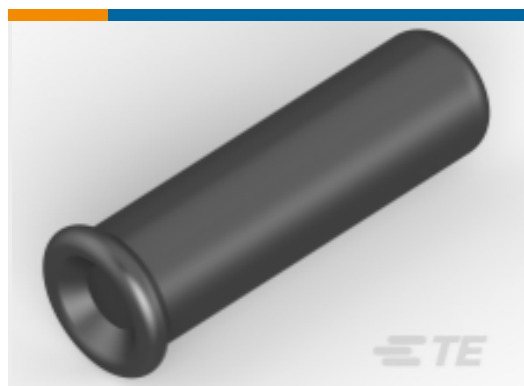
TE Part #1-532956-5  
96 MODII 2PC CE RCPT ASSY



TE Part #1825533-1  
14 MTE HDR SRST LATCH .100CL



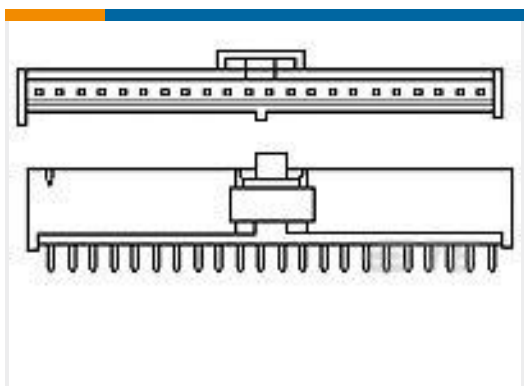
TE Part #2-1658549-7  
FPH-3222G=FLXPAC HDR P 32 ST LF



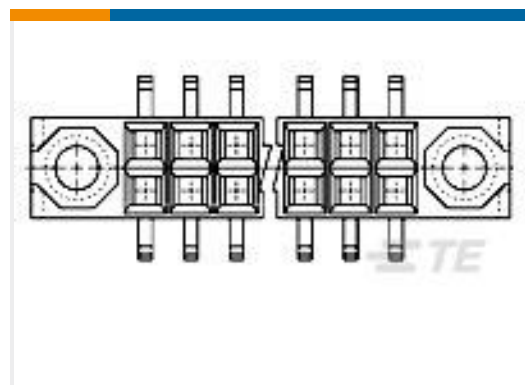
TE Part #3-5331272-9  
Mini Spring Sockets: Open Bottom, 4A



TE Part #YDTS20F25-04SEV001  
D38999: Square Flange, 25-04 insert



TE Part #3-1888291-3  
FPH-2021G=FLXPAC HDR P 20 ST L



TE Part #534286-9  
26 MODIV VERT DR 100CL/SFMNT

## Documents



### Product Drawings

[Z-PACK 2MM HM,TYPE E,L/SHEILD](#)

English

---

### CAD Files

[3D PDF](#)

3D

Customer View Model

[ENG\\_CVM\\_CVM\\_646430-1\\_J.2d\\_dxf.zip](#)

English

Customer View Model

[ENG\\_CVM\\_CVM\\_646430-1\\_J.3d\\_igs.zip](#)

English

Customer View Model

[ENG\\_CVM\\_CVM\\_646430-1\\_J.3d\\_stp.zip](#)

English

By downloading the CAD file I accept and agree to the [Terms and Conditions](#) of use.

---

### Product Specifications

[Product Specification](#)

English

[Product Specification](#)

English