



Raychem

TE Internal #: 617867-000

Splices, Sealing Sleeve, Sealable, Sealing Sleeve, 0 Serration, Splice  
Overall Length .855 in [21.7 mm], Bag/Box, Insulated Wire, Insulated

[View on TE.com >](#)

Terminals & Splices > Splices



Splice Product Type: **Sealing Sleeve**

Sealable: **Yes**

Splice Type: **Sealing Sleeve**

Serrated: **No**

Number of Serrations: **0**

### Features

#### Product Type Features

Splice Product Type	Sealing Sleeve
Sealable	Yes
Splice Type	Sealing Sleeve
Serrated	No
Splice Wire/Cable Type	Insulated Wire
Insulated	Yes
Support Style	Non-Insulation Support

#### Configuration Features

Number of Serrations	0
----------------------	---

#### Body Features

Insulation Material	Modified Polyvinylidene
---------------------	-------------------------

#### Dimensions

Splice Overall Length	21.7 mm [.855 in]
-----------------------	-------------------

#### Usage Conditions

Insulation Requirement	Fully Insulated
Operating Temperature Range	-55 – 150 °C [-67 – 302 °F]

#### Operation/Application

Heavy Duty	No
------------	----



### Industry Standards

Government Qualified Splice	No
-----------------------------	----

### Packaging Features

Splice Packaging Method	Bag/Box
-------------------------	---------

### Product Compliance

[For compliance documentation, visit the product page on TE.com>](#)

EU RoHS Directive 2011/65/EU	Compliant
EU ELV Directive 2000/53/EC	Compliant
China RoHS 2 Directive MIIT Order No 32, 2016	No Restricted Materials Above Threshold
EU REACH Regulation (EC) No. 1907/2006	Current ECHA Candidate List: JAN 2021 (211) Candidate List Declared Against: JAN 2021 (211) Does not contain REACH SVHC
Halogen Content	BFR/CFR/PVC Free, but Br/Cl >900 ppm in other sources.
Solder Process Capability	Not applicable for solder process capability

#### Product Compliance Disclaimer

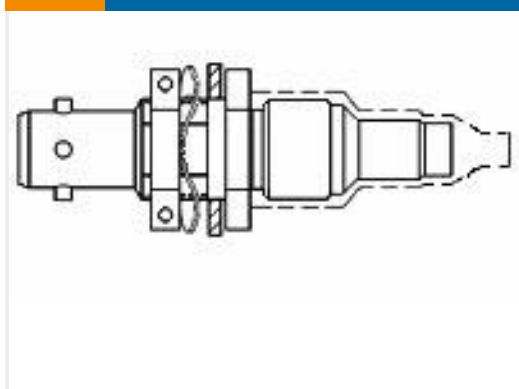
This information is provided based on reasonable inquiry of our suppliers and represents our current actual knowledge based on the information they provided. This information is subject to change. The part numbers that TE has identified as EU RoHS compliant have a maximum concentration of 0.1% by weight in homogenous materials for lead, hexavalent chromium, mercury, PBB, PBDE, DBP, BBP, DEHP, DIBP, and 0.01% for cadmium, or qualify for an exemption to these limits as defined in the Annexes of Directive 2011/65/EU (RoHS2). Finished electrical and electronic equipment products will be CE marked as required by Directive 2011/65/EU. Components may not be CE marked. Additionally, the part numbers that TE has identified as EU ELV compliant have a maximum concentration of 0.1% by weight in homogenous materials for lead, hexavalent chromium, and mercury, and 0.01% for cadmium, or qualify for an exemption to these limits as defined in the Annexes of Directive 2000/53/EC (ELV). Regarding the REACH Regulation, the information TE provides on SVHC in articles for this part number is based on the latest European Chemicals Agency (ECHA) 'Guidance on requirements for substances in articles' posted at this URL: <https://echa.europa.eu/guidance-documents/guidance-on-reach>

### Compatible Parts



TE Part # 992008-000  
[AD-1377-CRIMP-TOOL-3-CVTY](#)

## Customers Also Bought



TE Part #143981-000  
DK-621-0434-1S



TE Part #0641-2-1631L  
CONT PIN



TE Part #1-1617029-2  
HFW1130K06M = M39016/6-104M



TE Part #38941-12L  
CONT PIN



TE Part #318606-000  
TTVF COLOR CODING FLAGGING  
PVF LABELS



TE Part #YDTS20W21-35PNV001  
D38999: Square Flange, 21-35 insert



TE Part #274307-000  
D-436-0184



TE Part #123305-000  
55A1812-20-9-9CS2275

TE Part #106792-03  
INS PIN ASSY

TE Part #0934-201-14107  
SHL PLUG ASSY

## Documents

### Product Drawings

[D-436-0186](#)

English

### Datasheets & Catalog Pages

[1654025\\_Sec8\\_D-436](#)

English

[Harness Repair Products Quick Reference Guide](#)

English