

5207953-3 ✓ ACTIVE

AMPLIMITE | AMPLIMITE Kit

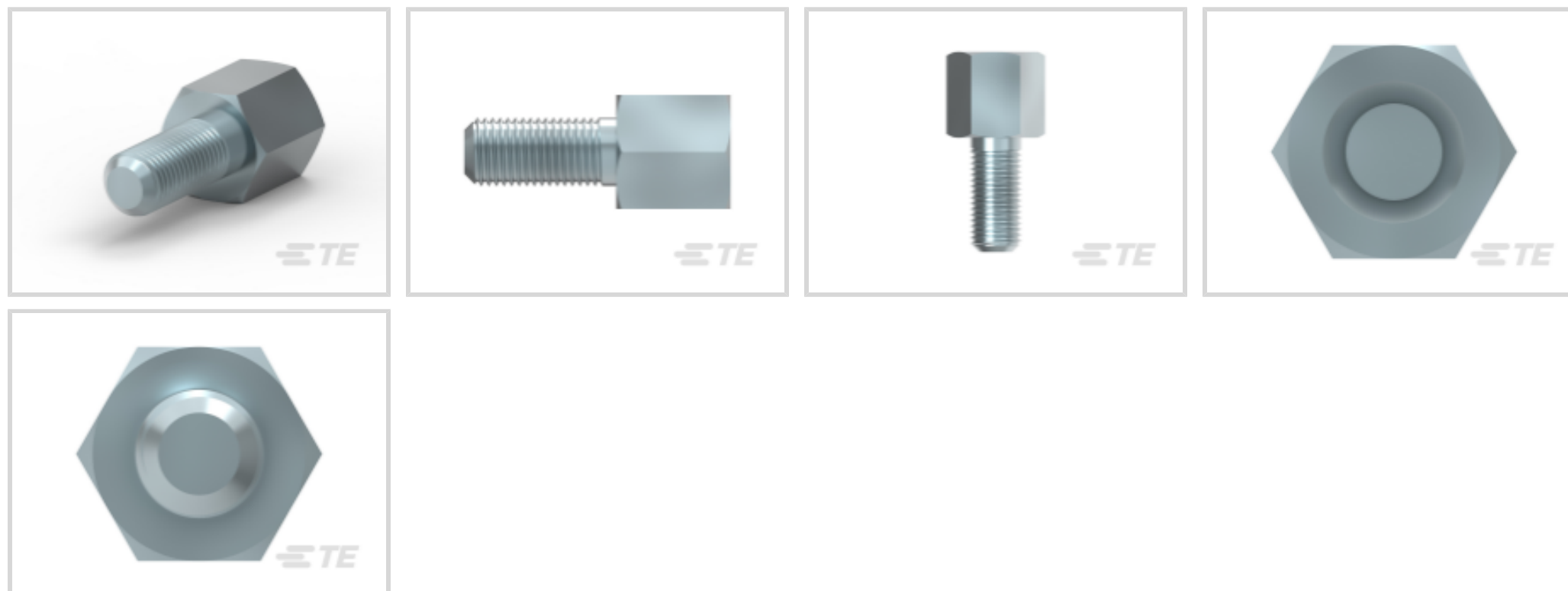
TE Internal #: 5207953-3

AMPLIMITE Kit, D-Sub Locking & Mounting, Female Screwlocks,
Screw Length .438 in [11.13 mm]

[View on TE.com >](#)



Connectors > D-Shaped Connectors > D-Sub Accessories > Locking & Mounting



D-Shaped Connector Accessories: **Female Screwlocks**

Screw Length: 11.13 mm [.438 in]

Features

Product Type Features

Product Type	Accessory
D-Shaped Connector Accessories	Female Screwlocks

Mechanical Attachment

Screw Plating Material	Zinc
Screwlock Style	Screwlock Only
Screw Material	Cold Rolled Steel
Screw Finish	Clear Chromate
Screw & Hole Thread Size	4-40 UNC
Screw Length	11.13 mm [.438 in]

Dimensions

Thread Length	6.35 mm [.25 in]
---------------	------------------

Operation/Application

For Use With	All Plastic Right-Angle Connectors (HD)
--------------	---

Packaging Features

Packaging Quantity	1
Packaging Method	Package

Product Compliance

[For compliance documentation, visit the product page on TE.com>](#)

EU RoHS Directive 2011/65/EU	Compliant with Exemptions
EU ELV Directive 2000/53/EC	Compliant with Exemptions
China RoHS 2 Directive MIIT Order No 32, 2016	Restricted Materials Above Threshold
EU REACH Regulation (EC) No. 1907/2006	<p>Current ECHA Candidate List: JAN 2021 (211)</p> <p>Candidate List Declared Against: JAN 2021 (211)</p> <p>SVHC > Threshold:</p> <p>Pb (.35% in Component Part)</p> <p>Article Safe Usage Statements: Do not eat, drink or smoke when using this product. Wash thoroughly after handling. Recycle if possible and dispose of the article by following all applicable governmental regulations relevant to your geographic location.</p>
Halogen Content	Low Halogen - Br, Cl, F, I < 900 ppm per homogenous material. Also BFR/CFR/PVC Free
Solder Process Capability	Not applicable for solder process capability

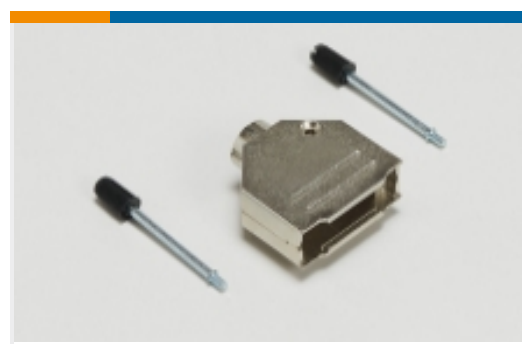
Product Compliance Disclaimer

This information is provided based on reasonable inquiry of our suppliers and represents our current actual knowledge based on the information they provided. This information is subject to change. The part numbers that TE has identified as EU RoHS compliant have a maximum concentration of 0.1% by weight in homogenous materials for lead, hexavalent chromium, mercury, PBB, PBDE, DBP, BBP, DEHP, DIBP, and 0.01% for cadmium, or qualify for an exemption to these limits as defined in the Annexes of Directive 2011/65/EU (RoHS2). Finished electrical and electronic equipment products will be CE marked as required by Directive 2011/65/EU. Components may not be CE marked. Additionally, the part numbers that TE has identified as EU ELV compliant have a maximum concentration of 0.1% by weight in homogenous materials for lead, hexavalent chromium, and mercury, and 0.01% for cadmium, or qualify for an exemption to these limits as defined in the Annexes of Directive 2000/53/EC (ELV). Regarding the REACH Regulation, the information TE provides on SVHC in articles for this part number is based on the latest European Chemicals Agency (ECHA) 'Guidance on requirements for substances in articles' posted at this URL: <https://echa.europa.eu/guidance-documents/guidance-on-reach>

Compatible Parts

 <p>TE Part # 2-1437012-4 609-006-1=HDW IDC JACKSOCKET A</p>	 <p>TE Part # 5207952-3 KIT SCREWLOCK FEMALE</p>	 <p>TE Part # 750831-2 .050SR F SCRLK KIT,SL LN,BULK</p>
---	---	---

Also in the Series | **AMPLIMITE Kit**



D-Sub Backshells & Clamps(136)



D-Sub Contact Accessories(1)



D-Sub Covers(3)



D-Sub Locking & Mounting(122)

Customers Also Bought



TE Part #1-745492-9
IDC D-Sub: Plug Assembly, Wire to Wire, Signal, 2.77 mm



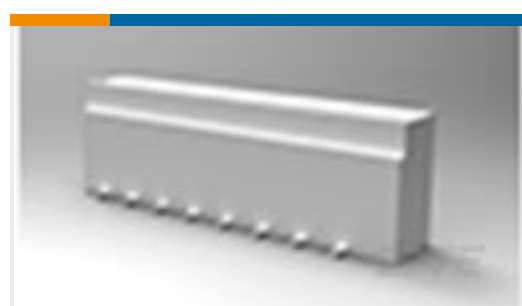
TE Part #205204-4
D-Sub Crimp: Plug, Signal, 9 Posn, Pin Size 20, Shell Size 1



TE Part #1-770743-1
10P MINI UMNL HDR ASSY VRT LF



TE Part #1-329632-2
LOCKWASHER, PLATED



TE Part #1735042-5
1MM FFC SMT V ASSY 5P EMBOSS



TE Part #1-534237-2
14 MODII VRT SR CE 100/115



TE Part #1624112-1
3650 0603 10nH 5% 2K RL



TE Part #2273000-1
M8 MALE STRAIGHT PIGTAIL



TE Part #2162603004
55A0111-16-1



TE Part #ZPF000000000112458
CONTACT FEMALE 1,34 A 2,5MM

Documents

Product Drawings

FEMALE SCREWLOCK, SHORT, ZN

English

CAD Files

3D PDF

3D

Customer View Model

ENG_CVM_CVM_5207953-3_O.2d_dxf.zip



English

Customer View Model

[ENG_CVM_CVM_5207953-3_O.3d_igs.zip](#)

English

Customer View Model

[ENG_CVM_CVM_5207953-3_O.3d_stp.zip](#)

English

By downloading the CAD file I accept and agree to the [Terms and Conditions](#) of use.

Datasheets & Catalog Pages

[AMPLIMITE Subminiature D Connectors - Cable Connectors](#)

English

[AMPLIMITE Cable Connectors and Shielding Hardware Kits QRG](#)

English

Product Environmental Compliance

[MD_5207953-3_06072018819_dmtec](#)

English

[MD_5207953-3_06072018819_dmtec](#)

English