

3-745130-9 ✓ ACTIVE

AMPLIMITE | AMPLIMITE Kit

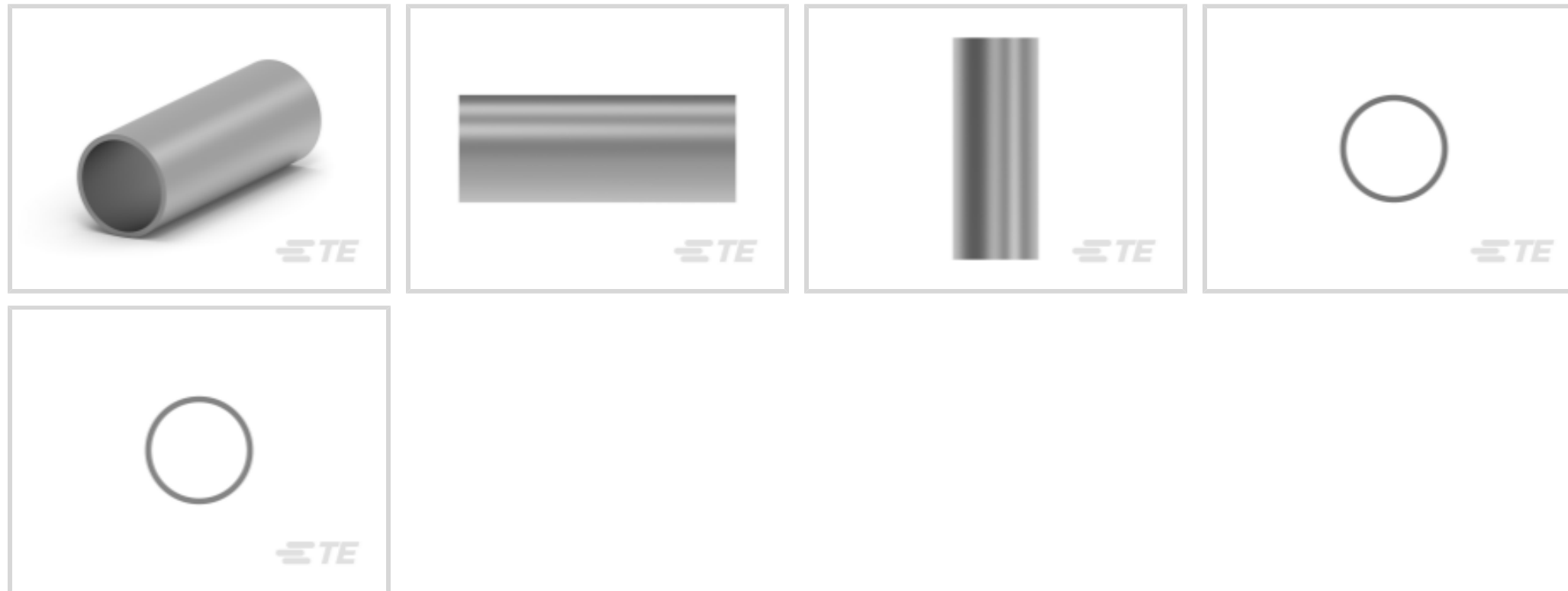
TE Internal #: 3-745130-9

AMPLIMITE Kit, D-Sub Backshells & Clamps, Ferrule, Crimp,
Compatible With Connector Shell Size 5 / 4 / 2, Shielded

[View on TE.com >](#)



Connectors > D-Shaped Connectors > D-Sub Accessories > D-Sub Backshells & Clamps



D-Shaped Connector Accessories: **Ferrule**

Ferrule Type: **Crimp**

Compatible With Connector Shell Size: **2, 3, 4, 5**

Shielded: **Yes**

Features

Product Type Features

Product Type	Accessory
D-Shaped Connector Accessories	Ferrule

Body Features

Ferrule Material	Copper
Ferrule Shape	Outer
Ferrule Diameter	17.78 mm[.7 in]
Ferrule Plating Material	Tin
Ferrule Type	Crimp

Dimensions

Cable Outside Diameter	7.62 – 8.89 mm
------------------------	----------------

Operation/Application

Compatible With Connector Shell Size	2, 3, 4, 5
Shielded	Yes

Packaging Features

Packaging Quantity	100
--------------------	-----

Packaging Method

Bag

Product Compliance

[For compliance documentation, visit the product page on TE.com>](#)

EU RoHS Directive 2011/65/EU	Compliant
EU ELV Directive 2000/53/EC	Compliant
China RoHS 2 Directive MIIT Order No 32, 2016	No Restricted Materials Above Threshold
EU REACH Regulation (EC) No. 1907/2006	Current ECHA Candidate List: JAN 2021 (211) Candidate List Declared Against: JUN 2020 (209) SVHC > Threshold: Not Yet Reviewed
Halogen Content	Low Halogen - Br, Cl, F, I < 900 ppm per homogenous material. Also BFR/CFR/PVC Free
Solder Process Capability	Not applicable for solder process capability

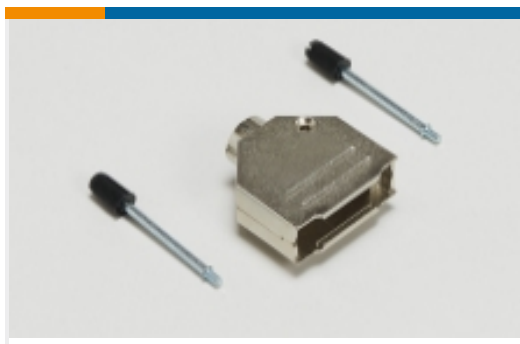
Product Compliance Disclaimer

This information is provided based on reasonable inquiry of our suppliers and represents our current actual knowledge based on the information they provided. This information is subject to change. The part numbers that TE has identified as EU RoHS compliant have a maximum concentration of 0.1% by weight in homogenous materials for lead, hexavalent chromium, mercury, PBB, PBDE, DBP, BBP, DEHP, DIBP, and 0.01% for cadmium, or qualify for an exemption to these limits as defined in the Annexes of Directive 2011/65/EU (RoHS2). Finished electrical and electronic equipment products will be CE marked as required by Directive 2011/65/EU. Components may not be CE marked. Additionally, the part numbers that TE has identified as EU ELV compliant have a maximum concentration of 0.1% by weight in homogenous materials for lead, hexavalent chromium, and mercury, and 0.01% for cadmium, or qualify for an exemption to these limits as defined in the Annexes of Directive 2000/53/EC (ELV). Regarding the REACH Regulation, the information TE provides on SVHC in articles for this part number is based on the latest European Chemicals Agency (ECHA) 'Guidance on requirements for substances in articles' posted at this URL: <https://echa.europa.eu/guidance-documents/guidance-on-reach>

Compatible Parts



Also in the Series | **AMPLIMITE Kit**



D-Sub Backshells & Clamps(136)



D-Sub Contact Accessories(1)



D-Sub Covers(3)



D-Sub Locking & Mounting(122)

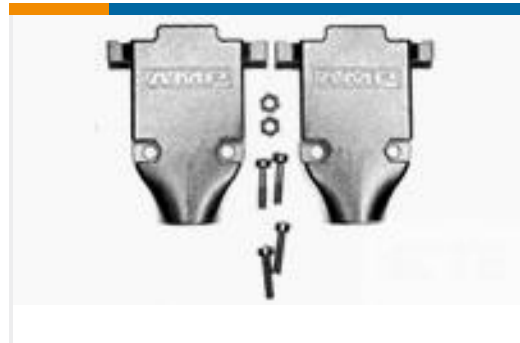
Customers Also Bought



TE Part #1658651-1
D-Sub Crimp Recept Signal 37 Posn,
Socket Size 20, Shell Size 4



TE Part #1-643075-1
Nylon PCB Connector Covers: 2.54
mm, MTA 100



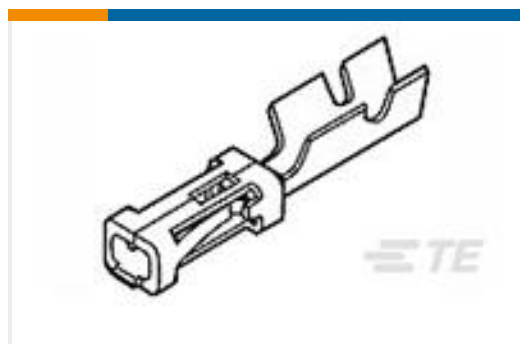
TE Part #1-5745172-3
AMPLI CBL CLMP KIT



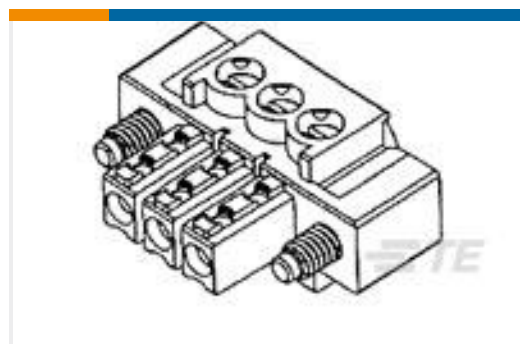
TE Part #208101-1
LATCH BLOCK (SZ 1-4)



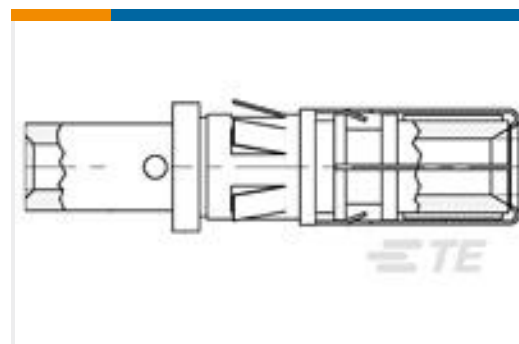
TE Part #2-1393212-6
PCB Power Relay: 30 Amp,
Monostable DC



TE Part #167300-6
MOD-4 REC.CONTACT



TE Part #1-284511-6
16 POS TERMI-BLOK PLUG C. VITI



TE Part #202417-1
SKT CONT ASSY,TYPE I



TE Part #193797-1
SKT ASSY - 2MM, 10 AWG



TE Part #EH8928-000
RBTMM-U-09-08-1-C-FSK

Documents

Product Drawings

SHLDING FERRULE,PLTD,BULK PKG

English

CAD Files

3D PDF

3D

Customer View Model

ENG_CVM_CVM_3-745130-9_L.2d_dxf.zip



English

Customer View Model

[ENG_CVM_CVM_3-745130-9_L.3d_igs.zip](#)

English

Customer View Model

[ENG_CVM_CVM_3-745130-9_L.3d_stp.zip](#)

English

By downloading the CAD file I accept and agree to the [Terms and Conditions](#) of use.

Datasheets & Catalog Pages

[AMPLIMITE Subminiature D Connectors - Cable Connectors](#)

English

[AMPLIMITE Cable Connectors and Shielding Hardware Kits QRG](#)

English

Product Environmental Compliance

[MD_3-745130-9_110220172133_dmtec](#)

English

[MD_3-745130-9_110220172133_dmtec](#)

English

Instruction Sheets

[Instruction Sheet \(U.S.\)](#)

English

[CRIMPING DIE ASSEMBLIES 809515-5, -6, -7, AND -8 FOR AMPLIMITE* C](#)

English

[Instruction Sheet \(U.S.\)](#)

English