



CFP

TE Internal #: 2180467-1

CFP, CFP/CFP2/CFP4, Accessory, Data Rate (Max) 100 Gb/s

[View on TE.com >](#)

Connectors > Pluggable IO Connectors & Cages > CFP/CFP2/CFP4



Pluggable I/O Product Type: **Accessory**

Data Rate (Max): **100 Gb/s**

Features

Product Type Features

Form Factor	CFP
Pluggable I/O Accessory Type	Screw
Pluggable I/O Product Type	Accessory

Electrical Characteristics

Data Rate (Max)	100 Gb/s
-----------------	----------

Dimensions

PCB Thickness (Recommended)	2 mm[.079 in]
-----------------------------	---------------

Operation/Application

Heat Sink Compatible	No
For Use With Pluggable I/O Products	CFP Assembly

Packaging Features

Packaging Method	Bag, Loose Piece
------------------	------------------

Product Compliance

[For compliance documentation, visit the product page on TE.com>](#)

EU RoHS Directive 2011/65/EU	Compliant
EU ELV Directive 2000/53/EC	Compliant



China RoHS 2 Directive MIIT Order No 32, 2016	No Restricted Materials Above Threshold
EU REACH Regulation (EC) No. 1907/2006	Current ECHA Candidate List: JAN 2021 (211) Candidate List Declared Against: JAN 2021 (211) Does not contain REACH SVHC
Halogen Content	Low Halogen - Br, Cl, F, I < 900 ppm per homogenous material. Also BFR/CFR/PVC Free
Solder Process Capability	Not applicable for solder process capability

Product Compliance Disclaimer

This information is provided based on reasonable inquiry of our suppliers and represents our current actual knowledge based on the information they provided. This information is subject to change. The part numbers that TE has identified as EU RoHS compliant have a maximum concentration of 0.1% by weight in homogenous materials for lead, hexavalent chromium, mercury, PBB, PBDE, DBP, BBP, DEHP, DIBP, and 0.01% for cadmium, or qualify for an exemption to these limits as defined in the Annexes of Directive 2011/65/EU (RoHS2). Finished electrical and electronic equipment products will be CE marked as required by Directive 2011/65/EU. Components may not be CE marked. Additionally, the part numbers that TE has identified as EU ELV compliant have a maximum concentration of 0.1% by weight in homogenous materials for lead, hexavalent chromium, and mercury, and 0.01% for cadmium, or qualify for an exemption to these limits as defined in the Annexes of Directive 2000/53/EC (ELV). Regarding the REACH Regulation, the information TE provides on SVHC in articles for this part number is based on the latest European Chemicals Agency (ECHA) 'Guidance on requirements for substances in articles' posted at this URL: <https://echa.europa.eu/guidance-documents/guidance-on-reach>

Compatible Parts



Also in the Series | CFP



Customers Also Bought



TE Part #1-292207-6
MINI COMMON TERMINATION
HEADERS



TE Part #1053378-1
2064 0000 00



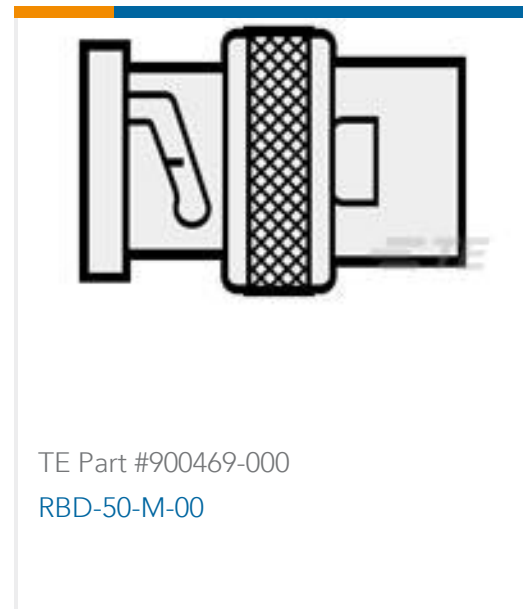
TE Part #1241434-1
HIGH PIN COUNT HEADER



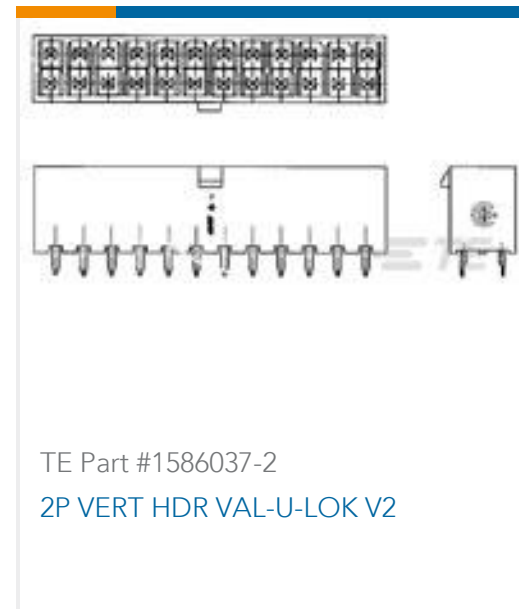
TE Part #1376106-1
TH/.025 CONNECTOR SYSTEM,
HOUSING



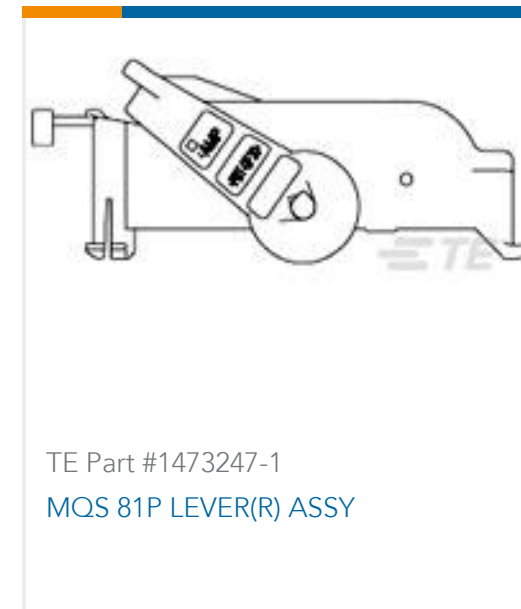
TE Part #1318382-4
SIGNAL HEADER



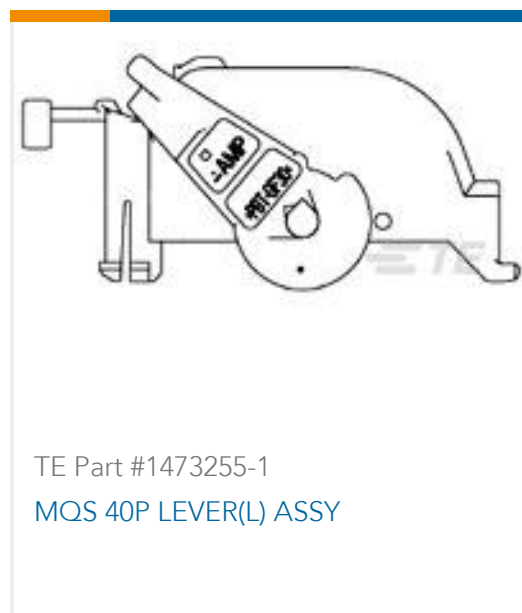
TE Part #900469-000
RBD-50-M-00



TE Part #1586037-2
2P VERT HDR VAL-U-LOK V2



TE Part #1473247-1
MOS 81P LEVER(R) ASSY



TE Part #1473255-1
MOS 40P LEVER(L) ASSY



TE Part #1-6450161-5
MBXL R/A RCPT 12S+4P

Documents

Product Drawings

2-56 UNC x .375, CFP, External Bracket

English

CAD Files

3D PDF

3D

Customer View Model

[ENG_CVM_CVM_2180467-1_A.2d_dxf.zip](#)

English

Customer View Model

[ENG_CVM_CVM_2180467-1_A.3d_igs.zip](#)

English

Customer View Model

[ENG_CVM_CVM_2180467-1_A.3d_stp.zip](#)

English

By downloading the CAD file I accept and agree to the [Terms and Conditions](#) of use.

Product Specifications



Application Specification

English

Product Environmental Compliance

[MD_2180467-1_08312017058_dmtec](#)

English

[MD_2180467-1_08312017058_dmtec](#)

English

Instruction Sheets

[Instruction Sheet \(U.S.\)](#)

English