

215072-2 ✓ ACTIVE

AMPLIMITE | AMPLIMITE Kit

TE Internal #: 215072-2

AMPLIMITE Kit, D-Sub Locking & Mounting, Female Screwlock

Assembly Kit, Screw Length .748 in [19 mm]

[View on TE.com >](#)



Connectors > D-Shaped Connectors > D-Sub Accessories > Locking & Mounting



D-Shaped Connector Accessories: **Female Screwlock Assembly Kit**

Screw Length: 19 mm [.748 in]

Features

Product Type Features

Product Type	Accessory
D-Shaped Connector Accessories	Female Screwlock Assembly Kit

Mechanical Attachment

Screwlock Style	Screwlock with Lockwasher and Hex Nut
Mating Thread Size	14702
Screw & Hole Thread Size	4-40 UNC
Screw Length	19 mm [.748 in]

Dimensions

Thread Length	14.2 mm [.559 in]
---------------	-------------------

Packaging Features

Packaging Quantity	50
Packaging Method	Bag, Kit

Product Compliance

[For compliance documentation, visit the product page on TE.com>](#)

EU RoHS Directive 2011/65/EU	Compliant with Exemptions
------------------------------	---------------------------

EU ELV Directive 2000/53/EC

Compliant with Exemptions

China RoHS 2 Directive MIIT Order No 32, 2016

Restricted Materials Above Threshold

EU REACH Regulation (EC) No. 1907/2006

Current ECHA Candidate List: JAN 2021
(211)Candidate List Declared Against: JUN 2020
(209)

SVHC > Threshold:

Pb (.35% in Component Part)

Article Safe Usage Statements:

Do not eat, drink or smoke when using this product. Wash thoroughly after handling. Recycle if possible and dispose of the article by following all applicable governmental regulations relevant to your geographic location.

Halogen Content

Low Halogen - Br, Cl, F, I < 900 ppm per
homogenous material. Also BFR/CFR/PVC
Free

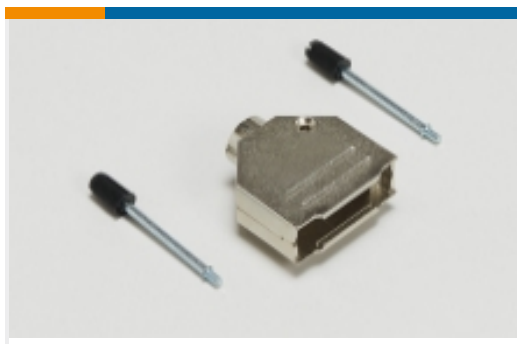
Solder Process Capability

Not applicable for solder process capability

Product Compliance Disclaimer

This information is provided based on reasonable inquiry of our suppliers and represents our current actual knowledge based on the information they provided. This information is subject to change. The part numbers that TE has identified as EU RoHS compliant have a maximum concentration of 0.1% by weight in homogenous materials for lead, hexavalent chromium, mercury, PBB, PBDE, DBP, BBP, DEHP, DIBP, and 0.01% for cadmium, or qualify for an exemption to these limits as defined in the Annexes of Directive 2011/65/EU (RoHS2). Finished electrical and electronic equipment products will be CE marked as required by Directive 2011/65/EU. Components may not be CE marked. Additionally, the part numbers that TE has identified as EU ELV compliant have a maximum concentration of 0.1% by weight in homogenous materials for lead, hexavalent chromium, and mercury, and 0.01% for cadmium, or qualify for an exemption to these limits as defined in the Annexes of Directive 2000/53/EC (ELV). Regarding the REACH Regulation, the information TE provides on SVHC in articles for this part number is based on the latest European Chemicals Agency (ECHA) 'Guidance on requirements for substances in articles' posted at this URL: <https://echa.europa.eu/guidance-documents/guidance-on-reach>

Compatible PartsAlso in the Series | **AMPLIMITE Kit**



D-Sub Backshells & Clamps(136)



D-Sub Contact Accessories(1)

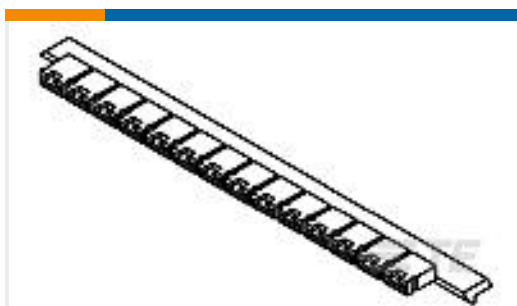
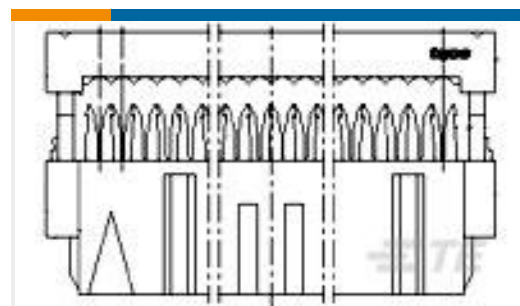
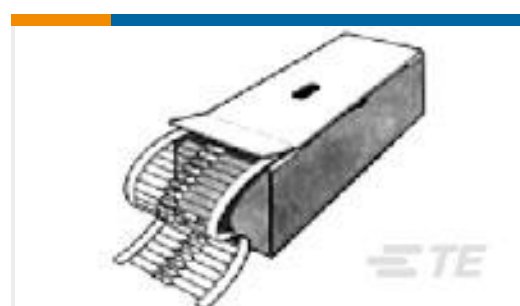


D-Sub Covers(3)



D-Sub Locking & Mounting(122)

Customers Also Bought

TE Part #1-829261-6
HD FEMALE SCREWLOCKTE Part #EC1073-000
Z-TYPE PUSH-ON MARKERSTE Part #1337808-1
50 OHM COAX SMA STR PLUG STR PTE Part #1337808-3
50 OHM COAX SMA STR PLUG STR PTE Part #142270-3
CONNECTOR SHUNT 2 PTE Part #1-215882-4
14 WAY GREY MK II RECPTE Part #1-1478908-0
SMA STR PLG S/CLMP RG174 GSSTE Part #1-1478966-0
SMA B/HD SKT RCPT GSSTE Part #1337808-2
50 OHM COAX SMA STR PLUG STR PTE Part #1-2176084-5
EP 7W (S) 2K2 5%

Documents

Product Drawings

[HD-20 VERRIEGLUNG](#)

English

CAD Files

[3D PDF](#)

3D

[Customer View Model](#)

[ENG_CVM_CVM_215072-2_D.2d_dxf.zip](#)



English

Customer View Model

[ENG_CVM_CVM_215072-2_D.3d_igs.zip](#)

English

Customer View Model

[ENG_CVM_CVM_215072-2_D.3d_stp.zip](#)

English

By downloading the CAD file I accept and agree to the [Terms and Conditions](#) of use.

Product Specifications

[Product Specification](#)

English