



CFP

TE Internal #: 2057631-1

CFP, CFP/CFP2/CFP4, Accessory, Port Matrix Configuration 1 x 1,
Data Rate (Max) 100 Gb/s, Sealable

[View on TE.com >](#)

Connectors > Pluggable IO Connectors & Cages > CFP/CFP2/CFP4



Pluggable I/O Product Type: **Accessory**

Port Matrix Configuration: **1 x 1**

Data Rate (Max): **100 Gb/s**

Sealable: **Yes**

Features

Product Type Features

Form Factor	CFP
Pluggable I/O Accessory Type	Receptacle Cover
Pluggable I/O Product Type	Accessory
Sealable	Yes

Configuration Features

Port Matrix Configuration	1 x 1
---------------------------	-------

Electrical Characteristics

Data Rate (Max)	100 Gb/s
-----------------	----------

Dimensions

PCB Thickness (Recommended)	2 mm [.079 in]
-----------------------------	----------------

Operation/Application

For Use With Pluggable I/O Products	CFP Assembly
-------------------------------------	--------------

Packaging Features

Packaging Method	Box & Tray, Box
------------------	-----------------



Product Compliance

[For compliance documentation, visit the product page on TE.com>](#)

EU RoHS Directive 2011/65/EU	Compliant
EU ELV Directive 2000/53/EC	Compliant
China RoHS 2 Directive MIIT Order No 32, 2016	No Restricted Materials Above Threshold
EU REACH Regulation (EC) No. 1907/2006	Current ECHA Candidate List: JAN 2021 (211) Candidate List Declared Against: JAN 2021 (211) Does not contain REACH SVHC
Halogen Content	Low Halogen - Br, Cl, F, I < 900 ppm per homogenous material. Also BFR/CFR/PVC Free
Solder Process Capability	Not applicable for solder process capability

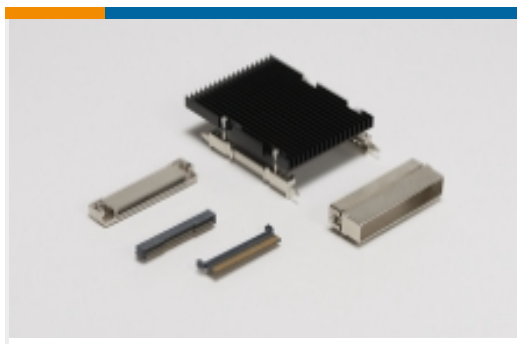
Product Compliance Disclaimer

This information is provided based on reasonable inquiry of our suppliers and represents our current actual knowledge based on the information they provided. This information is subject to change. The part numbers that TE has identified as EU RoHS compliant have a maximum concentration of 0.1% by weight in homogenous materials for lead, hexavalent chromium, mercury, PBB, PBDE, DBP, BBP, DEHP, DIBP, and 0.01% for cadmium, or qualify for an exemption to these limits as defined in the Annexes of Directive 2011/65/EU (RoHS2). Finished electrical and electronic equipment products will be CE marked as required by Directive 2011/65/EU. Components may not be CE marked. Additionally, the part numbers that TE has identified as EU ELV compliant have a maximum concentration of 0.1% by weight in homogenous materials for lead, hexavalent chromium, and mercury, and 0.01% for cadmium, or qualify for an exemption to these limits as defined in the Annexes of Directive 2000/53/EC (ELV). Regarding the REACH Regulation, the information TE provides on SVHC in articles for this part number is based on the latest European Chemicals Agency (ECHA) 'Guidance on requirements for substances in articles' posted at this URL: <https://echa.europa.eu/guidance-documents/guidance-on-reach>

Compatible Parts

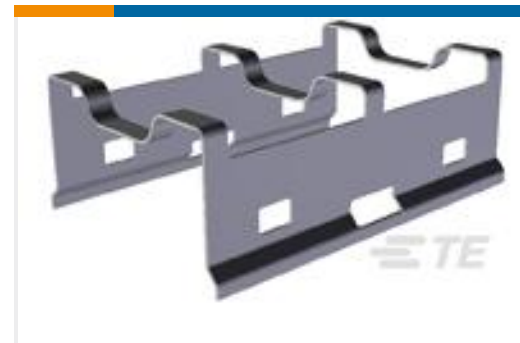
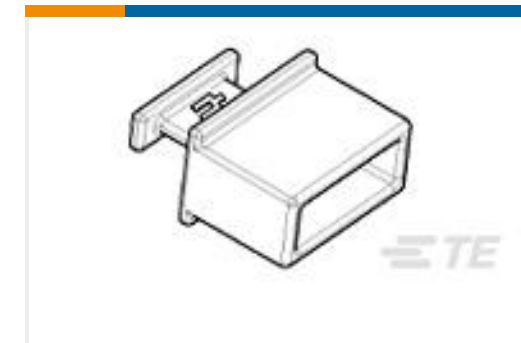


Also in the Series | **CFP**



CFP/CFP2/CFP4(22)

Customers Also Bought

TE Part #1489951-1
XFP Cage Assemblies and KitsTE Part #1888617-1
Cage Assy, QSFP, Through BezelTE Part #9-6318491-6
.5FHP08H,220,S,GIG,08/Sn,HT,NSYes,
W/CTE Part #1542618-2
XFP MSA SAN APPLICATIONTE Part #2-1926739-5
AssyMinipak Hdl25s10pRARceptScTE Part #1489948-2
XFP HEAT SINK CLIP, PLATEDTE Part #1551920-2
zQSFP+ connector assemblyTE Part #1888810-2
EMI/Dust Cover,XFP And QSFPTE Part #2-1440002-3
STD SCHRACK RZF Power RelaysTE Part #2-2013310-2
EMBOSS TAPE DDR3 204P 9.2H STD

Documents

Product Drawings

[CFP Receptacle Cover Assy](#)

English

CAD Files

[3D PDF](#)

3D

[Customer View Model](#)

[ENG_CVM_CVM_2057631-1_B.2d_dxf.zip](#)



English

Customer View Model

[ENG_CVM_CVM_2057631-1_B.3d_igs.zip](#)

English

Customer View Model

[ENG_CVM_CVM_2057631-1_B.3d_stp.zip](#)

English

By downloading the CAD file I accept and agree to the [Terms and Conditions](#) of use.

Datasheets & Catalog Pages

[1-1773717-8_PLUGGABLEIO_QRG_TCN](#)

English

[CFP_40G_100G_ETHERNET_CONNECTORS](#)

English

[4-1773455-2 - Quick Reference Guide Pluggable I/O Solutions](#)

English

[1-1773717-7_PLUGGABLE_IO_QRG_CN](#)

English

[1-1773717-9_HIGH_SPEED_IO_QRG_JA](#)

English

Product Specifications

[Application Specification](#)

English

Product Environmental Compliance

[MD_2057631-1_05242018914_dmtec](#)

English

[MD_2057631-1_05242018914_dmtec](#)

English

Instruction Sheets

[Instruction Sheet \(U.S.\)](#)

English