

1376395-1 ✓ ACTIVE



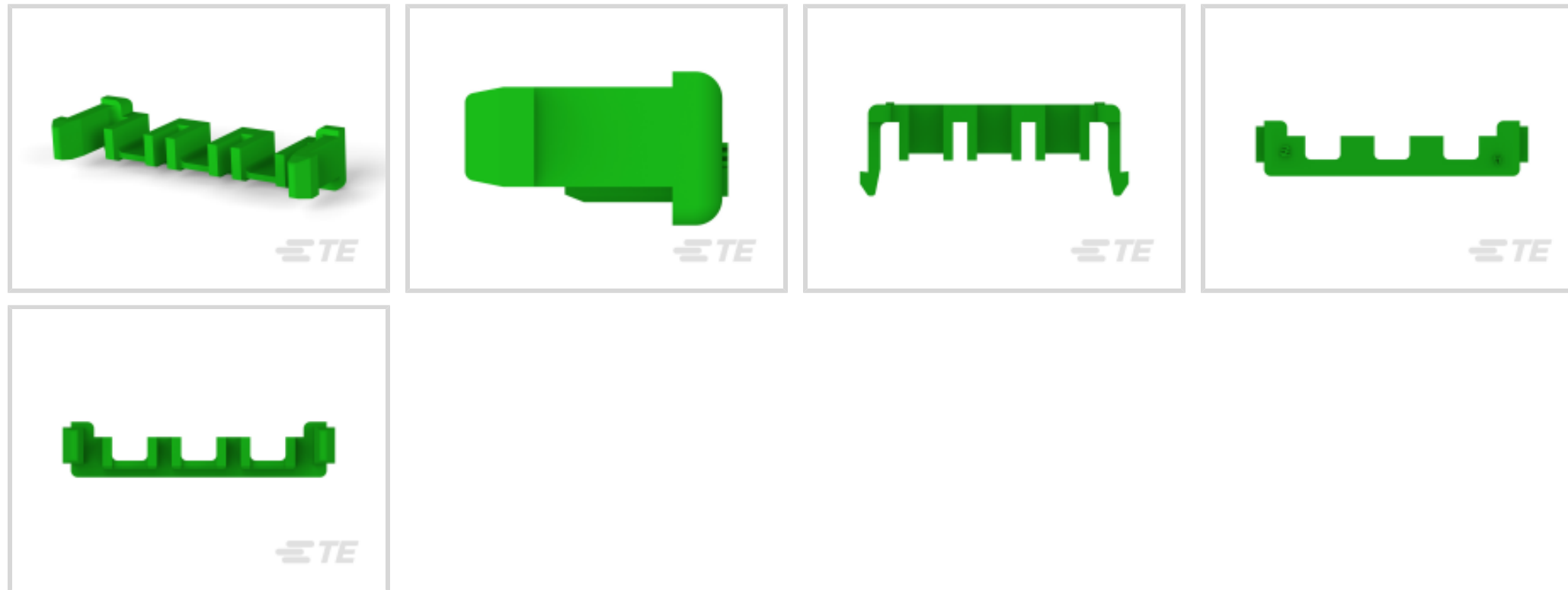
## Power Key 5.0

TE Internal #: 1376395-1

Power Key 5.0, PCB Latches, Locks & Retainers, Secondary Lock,  
Wire-to-Board / Wire-to-Wire, 3 Position, 5mm [.197in] Centerline

[View on TE.com >](#)

Connectors > PCB Connectors > PCB Connector Accessories > PCB Connector Hardware > PCB Latches, Locks & Retainers > Power Key TPA



Connector & Contact Retention Accessory Type: **Secondary Lock**

Connector System: **Wire-to-Board, Wire-to-Wire**

Number of Positions: **3**

Centerline (Pitch): **5 mm [.197 in]**

Operating Temperature Range: **-40 – 105 °C [-40 – 221 °F]**

[All Power Key TPA \(4\)](#)

## Features

### Product Type Features

Connector & Contact Retention Accessory Type	Secondary Lock
Connector System	Wire-to-Board, Wire-to-Wire

### Configuration Features

Number of Positions	3
---------------------	---

### Body Features

Primary Product Color	Green
-----------------------	-------

### Housing Features

Centerline (Pitch)	5 mm [.197 in]
--------------------	----------------

### Dimensions

Product Width	4 mm [.157 in]
Product Length	18.5 mm [.728 in]
Product Height	6.7 mm [.264 in]



### Usage Conditions

Operating Temperature Range	-40 – 105 °C[-40 – 221 °F]
-----------------------------	----------------------------

### Industry Standards

Glow Wire Rating	Standard Part - Not Glow Wire
------------------	-------------------------------

### Packaging Features

Packaging Quantity	1000
Packaging Method	Bag

### Product Compliance

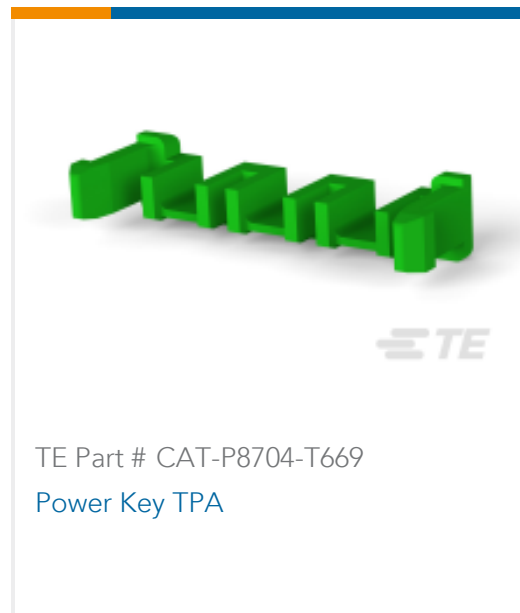
[For compliance documentation, visit the product page on TE.com>](#)

EU RoHS Directive 2011/65/EU	Compliant
EU ELV Directive 2000/53/EC	Compliant
China RoHS 2 Directive MIIT Order No 32, 2016	No Restricted Materials Above Threshold
EU REACH Regulation (EC) No. 1907/2006	Current ECHA Candidate List: JAN 2021 (211) Candidate List Declared Against: JAN 2021 (211) Does not contain REACH SVHC
Halogen Content	Not Low Halogen - contains Br or Cl > 900 ppm.
Solder Process Capability	Not applicable for solder process capability

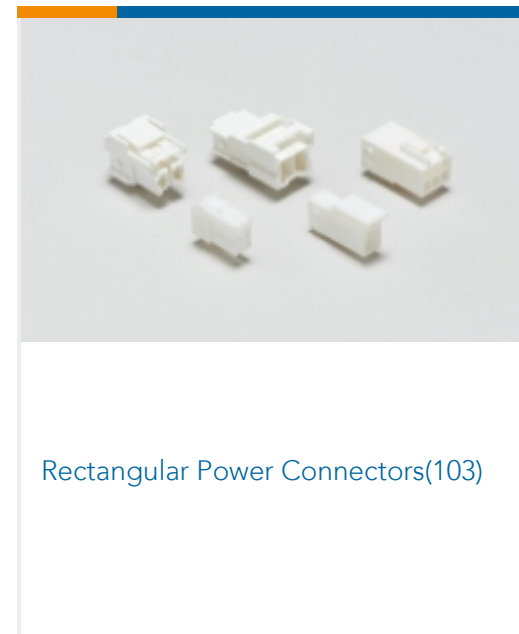
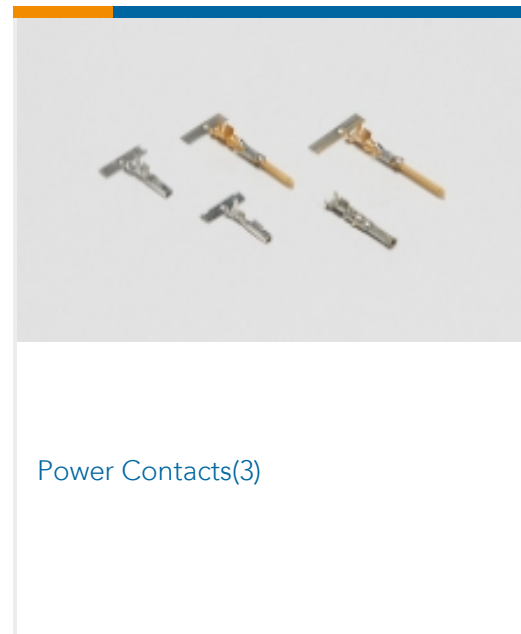
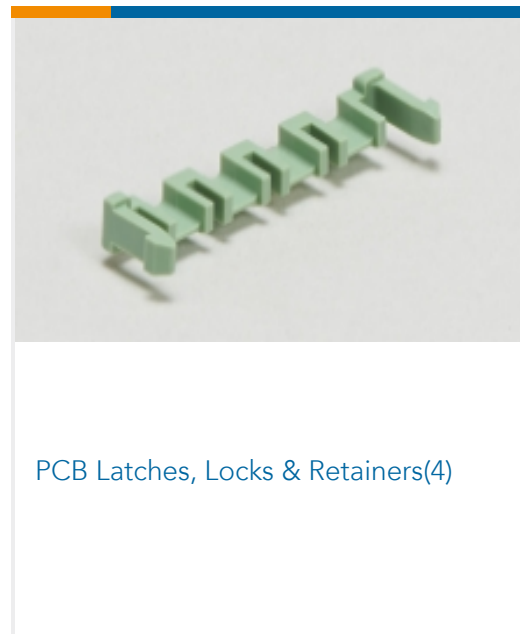
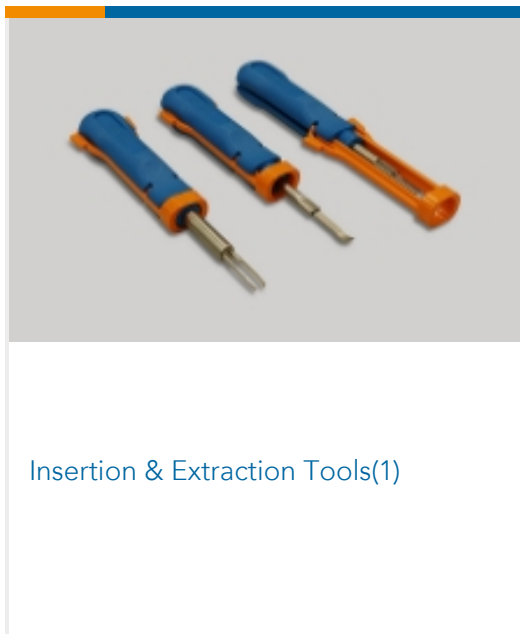
#### Product Compliance Disclaimer

This information is provided based on reasonable inquiry of our suppliers and represents our current actual knowledge based on the information they provided. This information is subject to change. The part numbers that TE has identified as EU RoHS compliant have a maximum concentration of 0.1% by weight in homogenous materials for lead, hexavalent chromium, mercury, PBB, PBDE, DBP, BBP, DEHP, DIBP, and 0.01% for cadmium, or qualify for an exemption to these limits as defined in the Annexes of Directive 2011/65/EU (RoHS2). Finished electrical and electronic equipment products will be CE marked as required by Directive 2011/65/EU. Components may not be CE marked. Additionally, the part numbers that TE has identified as EU ELV compliant have a maximum concentration of 0.1% by weight in homogenous materials for lead, hexavalent chromium, and mercury, and 0.01% for cadmium, or qualify for an exemption to these limits as defined in the Annexes of Directive 2000/53/EC (ELV). Regarding the REACH Regulation, the information TE provides on SVHC in articles for this part number is based on the latest European Chemicals Agency (ECHA) 'Guidance on requirements for substances in articles' posted at this URL: <https://echa.europa.eu/guidance-documents/guidance-on-reach>

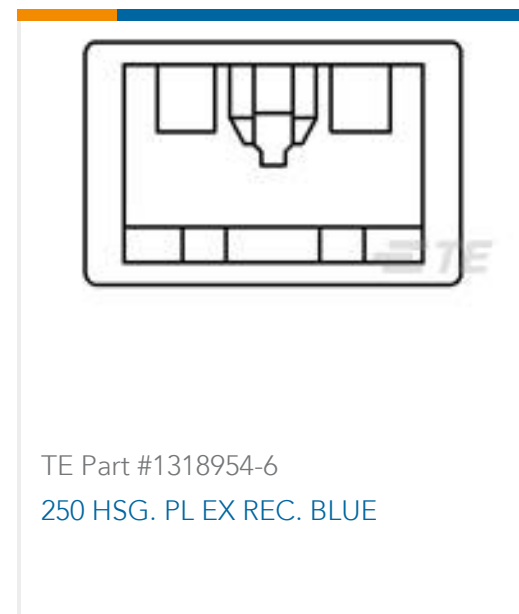
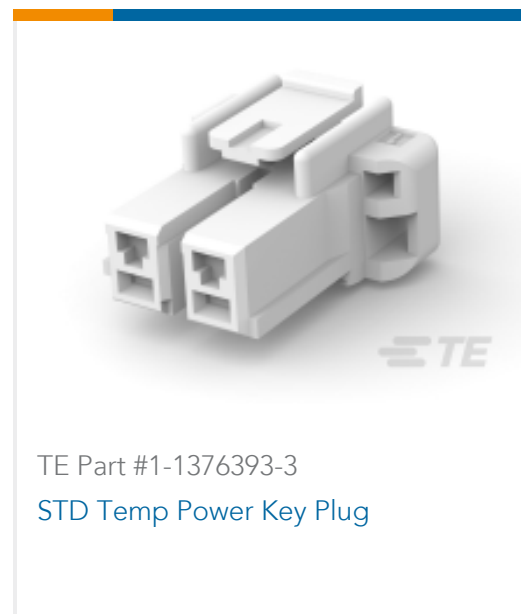
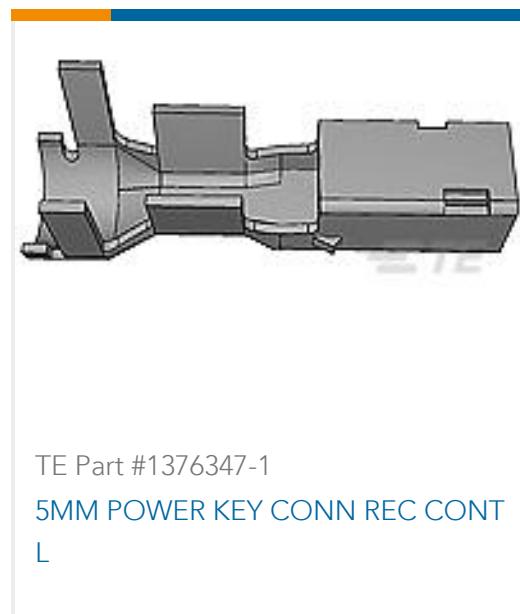
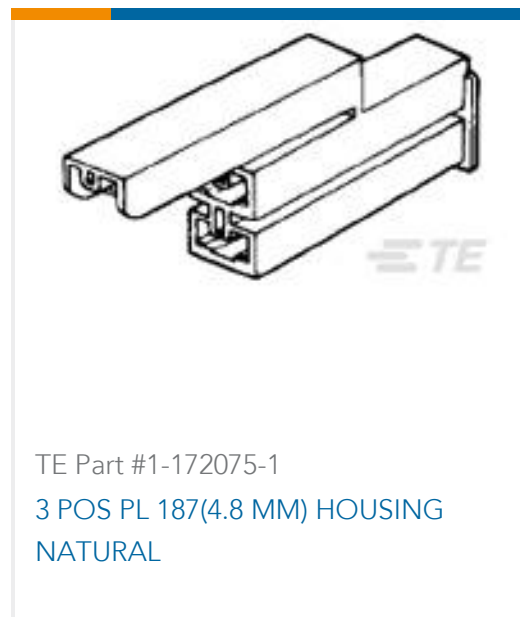
### Compatible Parts



### Also in the Series | Power Key 5.0



### Customers Also Bought





TE Part #1-1633860-9  
CRIMPER, WIRE F



TE Part #937157-1  
WIRE CRIMPER

## Documents

### Product Drawings

[5MM POWER KEY D/L PLATE GREEN](#)

English

[5MM POWER KEY D/L PLATE GREEN](#)

Japanese

### CAD Files

[3D PDF](#)

3D

Customer View Model

[ENG\\_CVM\\_CVM\\_1376395-1\\_F.2d\\_dxf.zip](#)

English

Customer View Model

[ENG\\_CVM\\_CVM\\_1376395-1\\_F.3d\\_igs.zip](#)

English

Customer View Model

[ENG\\_CVM\\_CVM\\_1376395-1\\_F.3d\\_stp.zip](#)

English

By downloading the CAD file I accept and agree to the [Terms and Conditions](#) of use.

### Datasheets & Catalog Pages

[SOFT\\_SHELL\\_PIN\\_SOCKET\\_CONNECTORS\\_STANDARD\\_DENSITY](#)

English

[1-1773881-9 Power Key Connector Quick Reference Guide](#)

English

### Product Specifications

[5.0 POWER KEY CONNECTOR](#)

Japanese

[Application Specification](#)

Japanese

### Product Environmental Compliance

[MD\\_1376395-1\\_10102018854\\_dmtec](#)

English

[MD\\_1376395-1\\_10102018854\\_dmtec](#)

1376395-1

Power Key 5.0, PCB Latches, Locks & Retainers, Secondary Lock, Wire-to-Board /  
Wire-to-Wire, 3 Position, 5mm [.197in] Centerline



English