

111547-4 ✓ ACTIVE

AMPMODU

TE Internal #: 111547-4

TE Internal Description: 020 UNIV I/O STRAIN RELIEF

Pin Connector: Strain Relief, Universal

[View on TE.com >](#)



[Connectors >](#) [PCB Connectors >](#) [Wire-to-Board Connectors >](#) [FFC, FPC & Ribbon Connectors >](#) [Ribbon Connector Accessories >](#)

Pin Connector: Strain Relief, Universal



Flat Flexible Cable Accessory Type: **Strain Relief**

[All Pin Connector: Strain Relief, Universal \(12\)](#)

Features

Product Type Features

Flat Flexible Cable Accessory Type	Strain Relief
------------------------------------	---------------

Body Features

Primary Product Material	Glass-Filled Polyester
Primary Product Color	Black

Dimensions

	1.44 in
--	---------

Industry Standards

CSA File Number	LR 7189
Agency/Standard	CSA, UL
UL Rating	Recognized
UL File Number	E28476

Packaging Features

Packaging Quantity	1
Packaging Method	Package

Other

Comment	Receptacle Connector
---------	----------------------

Product Compliance

[For compliance documentation, visit the product page on TE.com>](#)



EU RoHS Directive 2011/65/EU	Compliant
EU ELV Directive 2000/53/EC	Compliant
China RoHS 2 Directive MIIT Order No 32, 2016	No Restricted Materials Above Threshold
EU REACH Regulation (EC) No. 1907/2006	Current ECHA Candidate List: JAN 2021 (211) Candidate List Declared Against: JAN 2021 (211) Does not contain REACH SVHC
Halogen Content	Not Low Halogen - contains Br or Cl > 900 ppm.
Solder Process Capability	Not applicable for solder process capability

Product Compliance Disclaimer

This information is provided based on reasonable inquiry of our suppliers and represents our current actual knowledge based on the information they provided. This information is subject to change. The part numbers that TE has identified as EU RoHS compliant have a maximum concentration of 0.1% by weight in homogenous materials for lead, hexavalent chromium, mercury, PBB, PBDE, DBP, BBP, DEHP, DIBP, and 0.01% for cadmium, or qualify for an exemption to these limits as defined in the Annexes of Directive 2011/65/EU (RoHS2). Finished electrical and electronic equipment products will be CE marked as required by Directive 2011/65/EU. Components may not be CE marked. Additionally, the part numbers that TE has identified as EU ELV compliant have a maximum concentration of 0.1% by weight in homogenous materials for lead, hexavalent chromium, and mercury, and 0.01% for cadmium, or qualify for an exemption to these limits as defined in the Annexes of Directive 2000/53/EC (ELV). Regarding the REACH Regulation, the information TE provides on SVHC in articles for this part number is based on the latest European Chemicals Agency (ECHA) 'Guidance on requirements for substances in articles' posted at this URL: <https://echa.europa.eu/guidance-documents/guidance-on-reach>

Compatible Parts



TE Part # 1-111446-8
020 UNIV I/O 30DP NO EARS



TE Part # 1-111504-8
024 UNIV I/O 30DP NO EARS LTCH

Customers Also Bought



TE Part #1-5499206-2
AMP-LATCH UNIVERSAL HEADERS



TE Part #1-111547-1
Pin Connector: Strain Relief, Universal



TE Part #1-1437021-2
Female Socket Connectors: Strain Relief



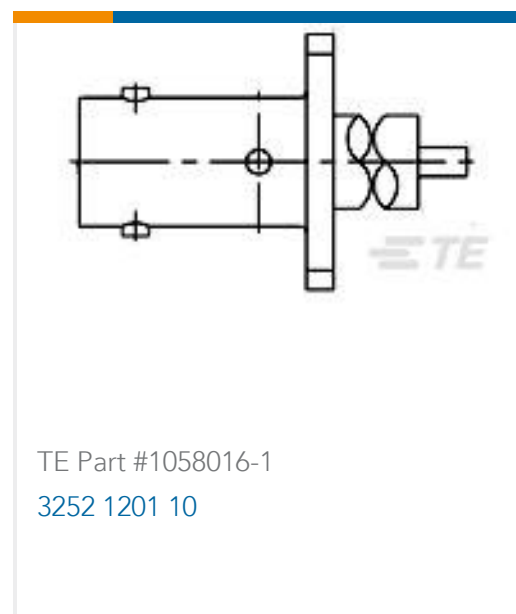
TE Part #1-66098-9
II+ PIN, 18-16, TIN STRIP



TE Part #1-794616-2
FREE HANG DBL ROW HSG 12 POS



TE Part #103946-3
4X4 MTE SHRD PIN SR POL .100CL



TE Part #1058016-1
3252 1201 10



TE Part #104656-2
20 50/50 HDR DRST SFMNT .320



TE Part #1-794216-0
MINI UMNL2 PIN 30-26AWG AU LF



TE Part #YDIV43E25-61SNV001
RECP ASSY

Documents

Product Drawings

020 UNIV I/O STRAIN RELIEF

English

CAD Files

3D PDF

3D

Customer View Model

[ENG_CVM_CVM_111547-4_N.2d_dxf.zip](#)

English

Customer View Model

[ENG_CVM_CVM_111547-4_N.3d_igs.zip](#)

English

Customer View Model

[ENG_CVM_CVM_111547-4_N.3d_stp.zip](#)

English

By downloading the CAD file I accept and agree to the [Terms and Conditions](#) of use.

Datasheets & Catalog Pages

Ribbon Cable Interconnect Solutions

English

Product Specifications

Application Specification

English

Product Environmental Compliance

TE Material Declaration



English