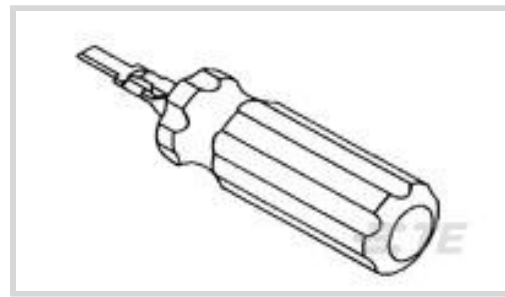




Application Tooling > Insertion & Extraction Tools



Insertion & Extraction Tool Type: **Contact Insertion & Extraction**

Insertion & Extraction Tool Application: **Contact-to-Housing**

### Features

#### Product Type Features

Insertion & Extraction Tool Type	Contact Insertion & Extraction
Insertion & Extraction Tool Application	Contact-to-Housing

### Product Compliance

[For compliance documentation, visit the product page on TE.com>](#)


EU RoHS Directive 2011/65/EU	Compliant
EU ELV Directive 2000/53/EC	Out of Scope
China RoHS 2 Directive MIIT Order No 32, 2016	No Restricted Materials Above Threshold
EU REACH Regulation (EC) No. 1907/2006	Current ECHA Candidate List: JAN 2021 (211) Candidate List Declared Against: JAN 2018 (181) SVHC > Threshold: Not Yet Reviewed
Halogen Content	Low Halogen - Br, Cl, F, I < 900 ppm per homogenous material. Also BFR/CFR/PVC Free
Solder Process Capability	Not reviewed for solder process capability

#### Product Compliance Disclaimer

This information is provided based on reasonable inquiry of our suppliers and represents our current actual knowledge based on the information they provided. This information is subject to change. The part numbers that TE has identified as EU RoHS compliant have a maximum concentration of 0.1% by weight in homogenous materials for lead, hexavalent chromium, mercury, PBB, PBDE, DBP, BBP, DEHP, DIBP, and 0.01% for cadmium, or qualify for an exemption to these limits as defined in the Annexes of Directive 2011/65/EU (RoHS2). Finished electrical and electronic equipment products will be CE marked as required by Directive 2011/65/EU. Components may not be CE marked. Additionally, the part numbers that TE has identified as EU ELV compliant have a maximum concentration of 0.1% by weight in homogenous materials for lead, hexavalent chromium, and mercury, and 0.01% for cadmium, or qualify for an exemption to these limits as defined in the Annexes of Directive 2000/53/EC (ELV). Regarding the REACH Regulation, the information TE provides

on SVHC in articles for this part number is based on the latest European Chemicals Agency (ECHA) 'Guidance on requirements for substances in articles' posted at this URL: <https://echa.europa.eu/guidance-documents/guidance-on-reach>


## Compatible Parts




TE Part # CAT-248-DCCPC20  
D-Sub Connector Contacts: Pin, Phosphor Bronze, Signal, Size 20

TE Part # 747546-5  
OVERMOLD, RCPT SUBASSY, 25 POS

## Also in the Series | AMPLIMITE HDE




Crimp D-Sub Connectors(1)



D-Sub Connector Contacts(13)



IDC D-Sub Connectors(83)



Insertion & Extraction Tools(2)

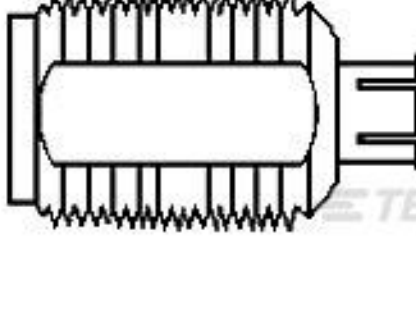
## Customers Also Bought



TE Part #1-747943-6  
IDC D-Sub: Receptacle Kit, Wire to Wire, Signal, 2.74 mm



TE Part #1-745203-1  
IDC D-Sub: Plug Assembly, Wire to Wire, Signal, 2.77 mm



TE Part #1055694-1  
2380 2240 00



TE Part #207535-1  
HSG,SINGLE POSN FREE HANGING



TE Part #1-745267-0  
D-Sub Connector Contacts: Pin, Phosphor Bronze, Signal, Size 20



TE Part #YDTS20F25-37PNV001  
D38999: Square Flange, 25-37 insert



TE Part #1-1393793-1  
AXICOM D2N SENSITIVE



TE Part #2-1564514-1  
HEAVY DUTY SEALED CONNECTOR HOUSINGS



## Documents

### Datasheets & Catalog Pages

[Insertion-Extraction-Tool-2345721-1](#)

English

[Crimp Term Whitepaper-Use the Right Tool 1-1773953-1](#)

English

[CRIMPING WHERE FORM MEETS FUNCTION](#)

English

---

### Instruction Sheets

[INSERTION/EXTRACTION TOOL 91232-1](#)

English

[Instruction Sheet \(U.S.\)](#)

English