



Wire Protection & Management > Interconnect Devices > SolderSleeve Shield Terminators



SolderSleeve Shield Terminator Operating Temperature (Max): **150 °C**

SolderSleeve Shield Terminator Expanded Inside Diameter (Min): **4.32 mm [.17 in]**

SolderSleeve Shield Terminator Recovered Inside Diameter (Max): **2.16 mm [.085 in]**

Pre-Installed Lead: **No**

Resistance Properties: **Immersion Protection**

Features

Configuration Features

Pre-Installed Lead	No
--------------------	----

Dimensions

SolderSleeve Shield Terminator Expanded Inside Diameter (Min)	4.32 mm [.17 in]
---	------------------

SolderSleeve Shield Terminator Recovered Inside Diameter (Max)	2.16 mm [.085 in]
--	-------------------

Usage Conditions

SolderSleeve Shield Terminator Operating Temperature (Max)	150 °C
--	--------

Resistance Properties	Immersion Protection
-----------------------	----------------------

Wire Temperature (Max)	150 °C
------------------------	--------

Product Compliance

[For compliance documentation, visit the product page on TE.com>](#)

EU RoHS Directive 2011/65/EU	Not Compliant
------------------------------	---------------

EU ELV Directive 2000/53/EC	Not Compliant
-----------------------------	---------------

China RoHS 2 Directive MIIT Order No 32, 2016	Restricted Materials Above Threshold
---	--------------------------------------

EU REACH Regulation (EC) No. 1907/2006	Current ECHA Candidate List: JAN 2021 (211) Candidate List Declared Against: JAN 2021 (211) SVHC > Threshold: Pb (37% in Solder)
--	---

Article Safe Usage Statements:



Do not eat, drink or smoke when using this product. Wash thoroughly after handling. Recycle if possible and dispose of the article by following all applicable governmental regulations relevant to your geographic location.

Halogen Content

Out of Scope - excluded from Halogen requirements

Solder Process Capability

Not applicable for solder process capability

Product Compliance Disclaimer

This information is provided based on reasonable inquiry of our suppliers and represents our current actual knowledge based on the information they provided. This information is subject to change. The part numbers that TE has identified as EU RoHS compliant have a maximum concentration of 0.1% by weight in homogenous materials for lead, hexavalent chromium, mercury, PBB, PBDE, DBP, BBP, DEHP, DIBP, and 0.01% for cadmium, or qualify for an exemption to these limits as defined in the Annexes of Directive 2011/65/EU (RoHS2). Finished electrical and electronic equipment products will be CE marked as required by Directive 2011/65/EU. Components may not be CE marked. Additionally, the part numbers that TE has identified as EU ELV compliant have a maximum concentration of 0.1% by weight in homogenous materials for lead, hexavalent chromium, and mercury, and 0.01% for cadmium, or qualify for an exemption to these limits as defined in the Annexes of Directive 2000/53/EC (ELV). Regarding the REACH Regulation, the information TE provides on SVHC in articles for this part number is based on the latest European Chemicals Agency (ECHA) 'Guidance on requirements for substances in articles' posted at this URL: <https://echa.europa.eu/guidance-documents/guidance-on-reach>

Compatible Parts



TE Part # CJ2087-000
HL2010E-KIT-120V

Customers Also Bought



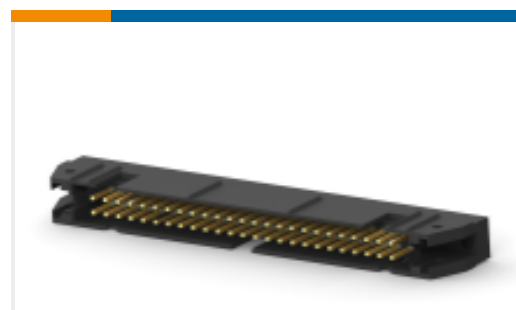
TE Part #0567590001
TMS-SCE MILITARY GRADE SLEEVES



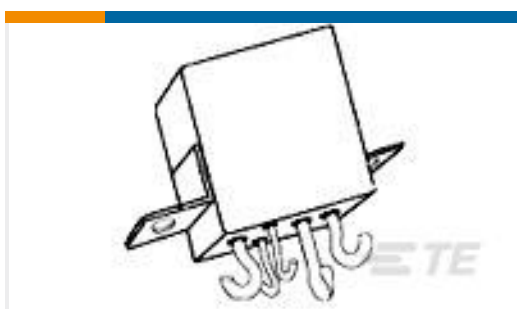
TE Part #1757820-6
AMPLIMITE, ASY, RCPT, STD, 109, ZN, 1, CT



TE Part #1-5111595-5
080 ASSY SYS 50 PADDLEBOARD



TE Part #1-102159-0
AMP-LATCH UNIVERSAL HEADERS



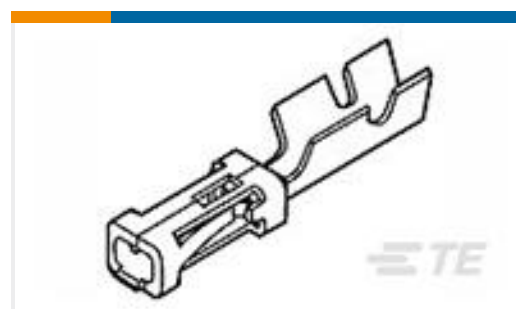
TE Part #2-1617748-0
FCA-125-14=M6106/19-014



TE Part #201357-3
MALE BLOCK - 34 PL. SER. "M"



TE Part #118577-000
S01-05-R



TE Part #1-87195-8
MOD IV RECP LP



TE Part #1050791-1
2001 8201 92



TE Part #F94758-000
TTVF1079YW2-CS7817

Documents

Product Drawings

[S01-03-R](#)

English

Datasheets & Catalog Pages

[1654025_Sec8_B-155_CWT_SO63_S01to03_SO96](#)

English

[Raychem Electrical Interconnect Products](#)

English