



Connectors > Audio & Video Connectors > Shielded Data Link > Boots & Clamps



Protection & Strain Relief Accessory Type: **Boot**

Connector & Housing Type: **Plug**

Number of Conductors: **8**

Number of Positions: **8**

Features

Product Type Features

Product Type	Accessory
Cable Type	Round
Receptacle Configuration	Standard
Protection & Strain Relief Accessory Type	Boot
Connector & Housing Type	Plug

Configuration Features

Number of Conductors	8
Number of Positions	8

Body Features

Boot Material	Thermoplastic Rubber
Boot Color	Black

Mechanical Attachment

PCB Mount Retention	Without
---------------------	---------

Housing Features

Housing Material	Polycarbonate
------------------	---------------



Industry Standards

Agency/Standard	CSA, UL
-----------------	---------

Packaging Features

Packaging Method	Loose Piece
Packaging Quantity	1

Other

Comment	Plug assemblies for round cable need a top shield, bottom shield, boot, and ferrule.
---------	--

Product Compliance

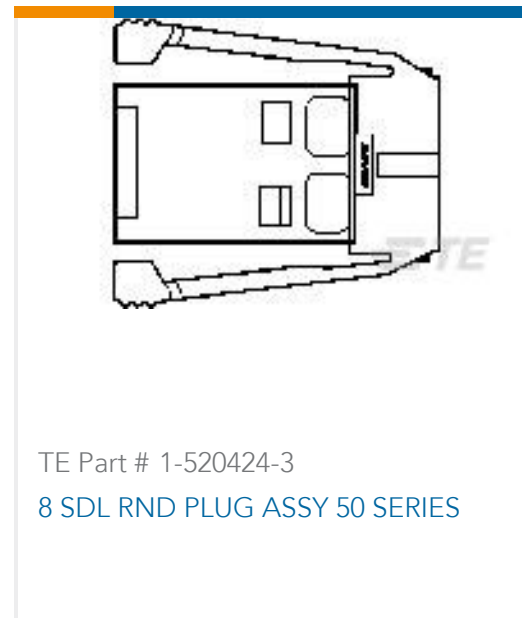
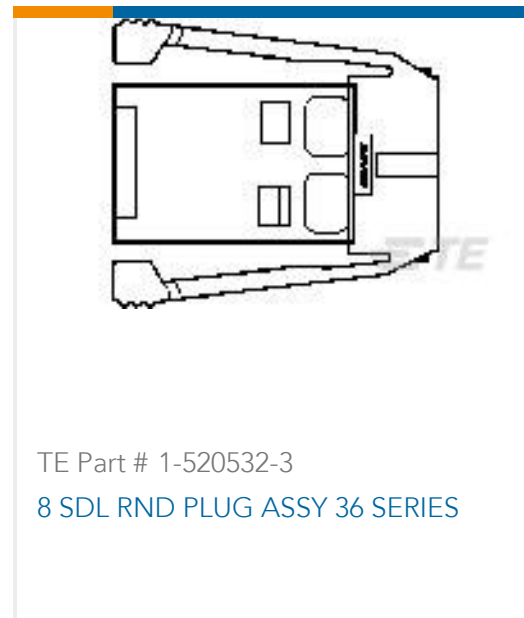
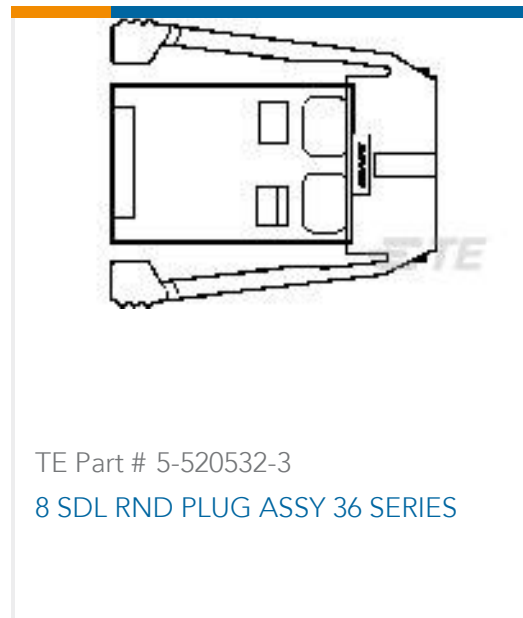
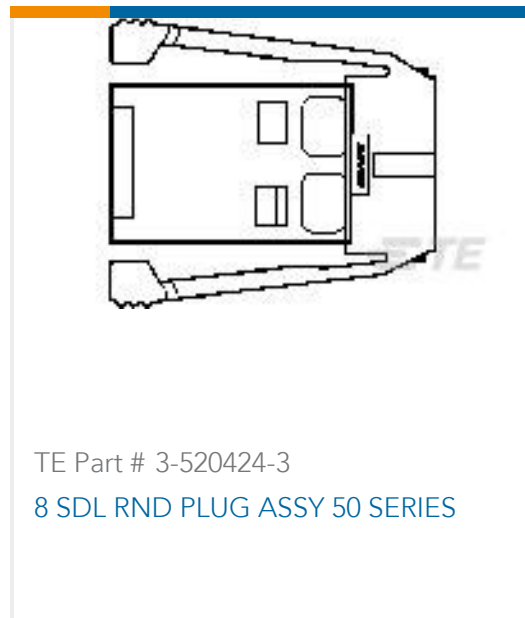
[For compliance documentation, visit the product page on TE.com>](#)

EU RoHS Directive 2011/65/EU	Compliant
EU ELV Directive 2000/53/EC	Compliant
China RoHS 2 Directive MIIT Order No 32, 2016	No Restricted Materials Above Threshold
EU REACH Regulation (EC) No. 1907/2006	Current ECHA Candidate List: JAN 2021 (211) Not Yet Reviewed
Halogen Content	Low Halogen - Br, Cl, F, I < 900 ppm per homogenous material. Also BFR/CFR/PVC Free
Solder Process Capability	Not applicable for solder process capability

Product Compliance Disclaimer

This information is provided based on reasonable inquiry of our suppliers and represents our current actual knowledge based on the information they provided. This information is subject to change. The part numbers that TE has identified as EU RoHS compliant have a maximum concentration of 0.1% by weight in homogenous materials for lead, hexavalent chromium, mercury, PBB, PBDE, DBP, BBP, DEHP, DIBP, and 0.01% for cadmium, or qualify for an exemption to these limits as defined in the Annexes of Directive 2011/65/EU (RoHS2). Finished electrical and electronic equipment products will be CE marked as required by Directive 2011/65/EU. Components may not be CE marked. Additionally, the part numbers that TE has identified as EU ELV compliant have a maximum concentration of 0.1% by weight in homogenous materials for lead, hexavalent chromium, and mercury, and 0.01% for cadmium, or qualify for an exemption to these limits as defined in the Annexes of Directive 2000/53/EC (ELV). Regarding the REACH Regulation, the information TE provides on SVHC in articles for this part number is based on the latest European Chemicals Agency (ECHA) 'Guidance on requirements for substances in articles' posted at this URL: <https://echa.europa.eu/guidance-documents/guidance-on-reach>

Compatible Parts



Customers Also Bought



Documents



Product Drawings

[8 SDL RND PLUG BOOT,BULK PKG](#)

English

CAD Files

[3D PDF](#)

3D

Customer View Model

[ENG_CVM_CVM_520853-1_K.2d_dxf.zip](#)

English

Customer View Model

[ENG_CVM_CVM_520853-1_K.3d_igs.zip](#)

English

Customer View Model

[ENG_CVM_CVM_520853-1_K.3d_stp.zip](#)

English

By downloading the CAD file I accept and agree to the [Terms and Conditions](#) of use.

Product Specifications

[Application Specification](#)

English

Instruction Sheets

[Instruction Sheet \(U.S.\)](#)

English