

520461-1 ✓ ACTIVE

AMPLIMITE

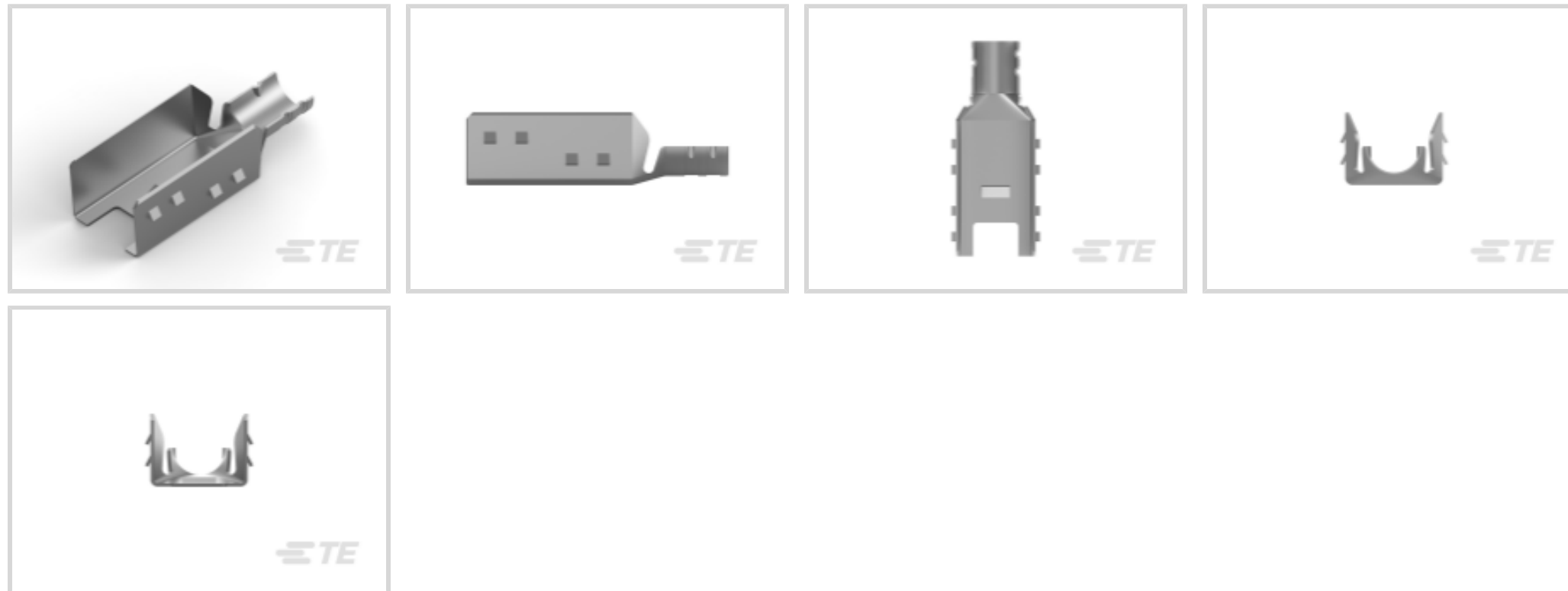
TE Internal #: 520461-1

SDL Adapters & Shields, Bottom Shield, Plug, 4 Conductor, 4 Position

[View on TE.com >](#)



Connectors > Audio & Video Connectors > Shielded Data Link > SDL Adapters & Shields



Audio & Video Connector Accessory Type: **Bottom Shield**

Connector & Housing Type: **Plug**

Number of Conductors: **4**

Number of Positions: **4**

Features

Product Type Features

Cable Type	Round
Receptacle Configuration	Standard
Product Type	Accessory
Audio & Video Connector Accessory Type	Bottom Shield
Connector & Housing Type	Plug

Configuration Features

Number of Conductors	4
Number of Positions	4

Mechanical Attachment

PCB Mount Retention	Without
---------------------	---------

Housing Features

Housing Color	Smoke Gray
Housing Material	Polycarbonate GF

Industry Standards

UL Flammability Rating	UL 94V-2
------------------------	----------



Agency/Standard

CSA, UL

Packaging Features

Packaging Method

Loose Piece

Packaging Quantity

1

Other

Comment

Plug assemblies for round cable need a top shield, bottom shield, boot, and ferrule.

Product Compliance

[For compliance documentation, visit the product page on TE.com>](#)

EU RoHS Directive 2011/65/EU

Compliant

EU ELV Directive 2000/53/EC

Compliant

China RoHS 2 Directive MIIT Order No 32, 2016

No Restricted Materials Above Threshold

EU REACH Regulation (EC) No. 1907/2006

Current ECHA Candidate List: JAN 2021 (211)
 Candidate List Declared Against: JAN 2021 (211)
 Does not contain REACH SVHC

Halogen Content

Low Halogen - Br, Cl, F, I < 900 ppm per homogenous material. Also BFR/CFR/PVC Free

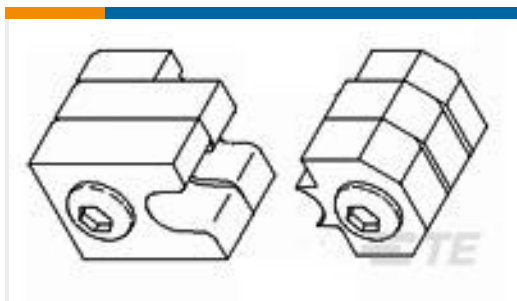
Solder Process Capability

Not applicable for solder process capability

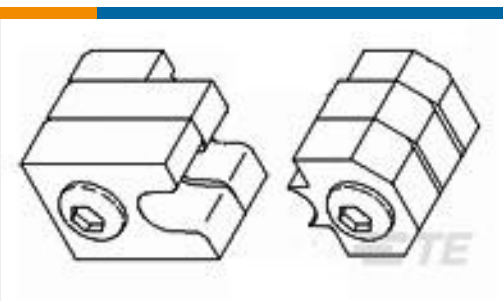
Product Compliance Disclaimer

This information is provided based on reasonable inquiry of our suppliers and represents our current actual knowledge based on the information they provided. This information is subject to change. The part numbers that TE has identified as EU RoHS compliant have a maximum concentration of 0.1% by weight in homogenous materials for lead, hexavalent chromium, mercury, PBB, PBDE, DBP, BBP, DEHP, DIBP, and 0.01% for cadmium, or qualify for an exemption to these limits as defined in the Annexes of Directive 2011/65/EU (RoHS2). Finished electrical and electronic equipment products will be CE marked as required by Directive 2011/65/EU. Components may not be CE marked. Additionally, the part numbers that TE has identified as EU ELV compliant have a maximum concentration of 0.1% by weight in homogenous materials for lead, hexavalent chromium, and mercury, and 0.01% for cadmium, or qualify for an exemption to these limits as defined in the Annexes of Directive 2000/53/EC (ELV). Regarding the REACH Regulation, the information TE provides on SVHC in articles for this part number is based on the latest European Chemicals Agency (ECHA) 'Guidance on requirements for substances in articles' posted at this URL: <https://echa.europa.eu/guidance-documents/guidance-on-reach>

Compatible Parts



TE Part # 58166-2
FERR ON SDL CONN 4 POS DIE SET



TE Part # 58166-1
FERR ON SDL CONN 4 POS DIE SET

Customers Also Bought



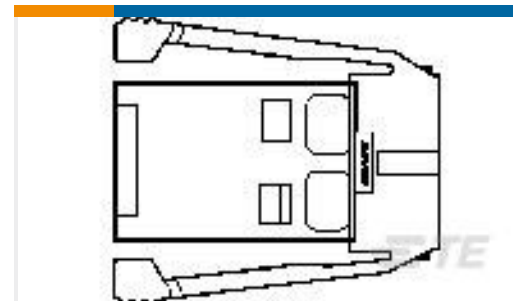
TE Part #205205-2
D-Sub Crimp Recpt Signal 15 Posn,
Socket Size 20, Shell Size 2



TE Part #166995-2
D-Sub Connector Contacts: Pin, Brass,
Signal, Size 20



TE Part #1-520532-1
4 SDL RND PLUG ASSY 36 SERIES



TE Part #1-520424-1
4 SDL RND PLUG ASSY 50 SERIES



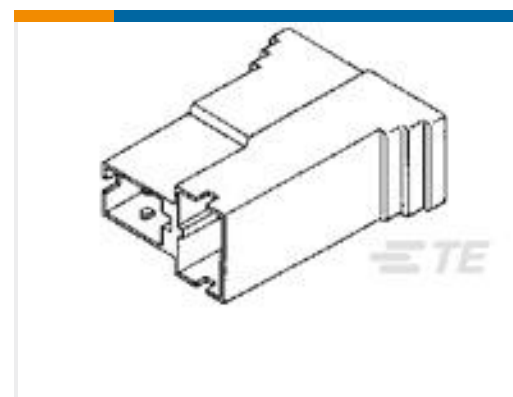
TE Part #282764-1
TIMER, CONNECTOR HOUSING



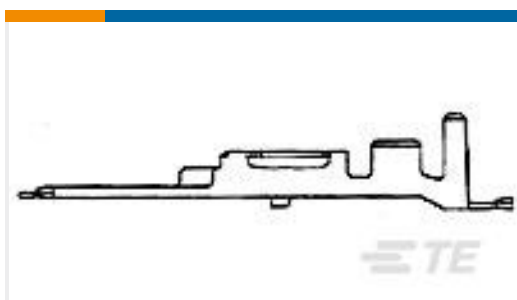
TE Part #1438299-4
GET .64 CONNECTOR SYSTEM,
RECEPT AND TAB



TE Part #1-794222-0
MINI UMNL2 PIN 20-16AWG AU LF



TE Part #926522-2
PL 250 REC HSG 2P NYLON NAT



TE Part #172777-1
MIC MARE-2 TAB CONTACT

Documents

Product Drawings

4 SDL RND SHIELD,BTTM,BULK PKG

English

CAD Files

3D PDF

3D

Customer View Model

ENG_CVM_CVM_520461-1_S.2d_dxf.zip



English

Customer View Model

[ENG_CVM_CVM_520461-1_S.3d_igs.zip](#)

English

Customer View Model

[ENG_CVM_CVM_520461-1_S.3d_stp.zip](#)

English

By downloading the CAD file I accept and agree to the [Terms and Conditions](#) of use.

Product Specifications

[Application Specification](#)

English

Product Environmental Compliance

[MD_520461-1_10052017234_dmtec](#)

English

[MD_520461-1_10052017234_dmtec](#)

English

Instruction Sheets

[Instruction Sheet \(U.S.\)](#)

English