

1650106-1 ✓ ACTIVE

ELCON

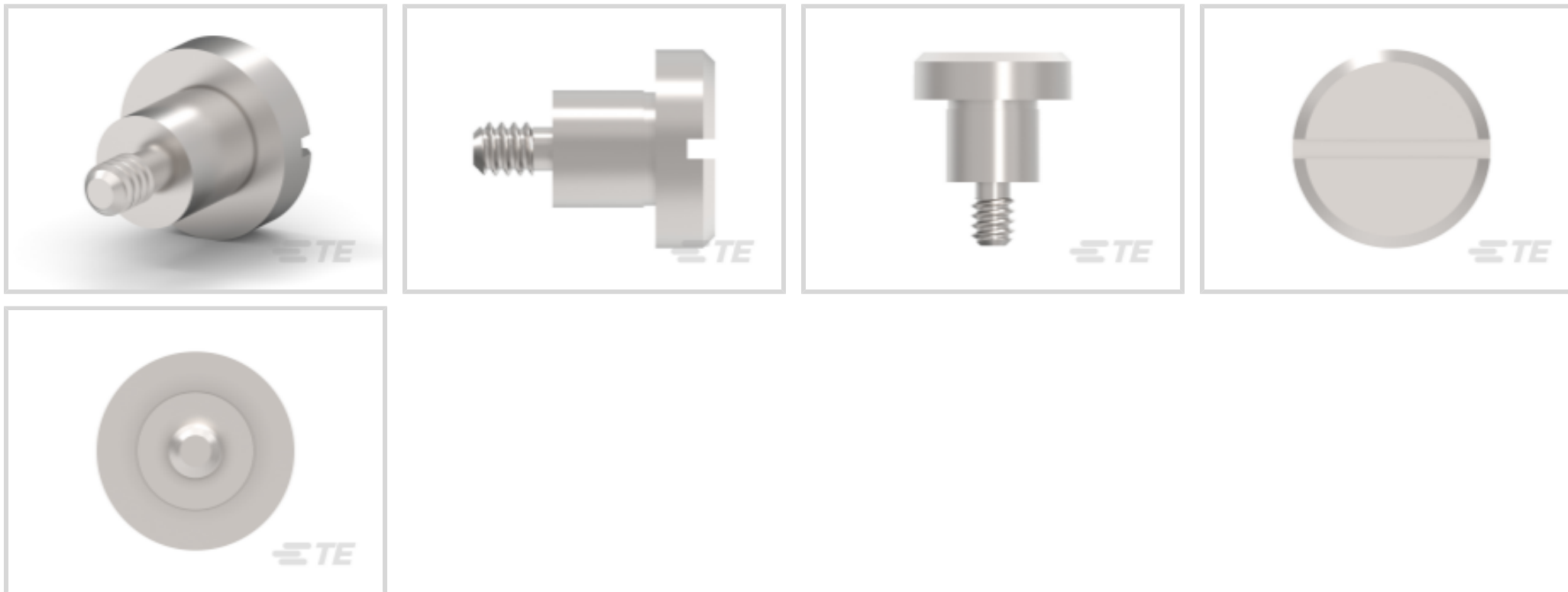
TE Internal #: 1650106-1

Rectangular Power Connectors, Standard Part - Not Glow Wire,
Panel Mount, Loose Piece

[View on TE.com >](#)



Connectors > Power Connectors > Rectangular Power > Rectangular Power Connectors



Sealable: **No**

Glow Wire Rating: **Standard Part - Not Glow Wire**

Connector Mounting Type: **Panel Mount**

Packaging Method: **Loose Piece**

Features

Product Type Features

Sealable	No
----------	----

Mechanical Attachment

Connector Mounting Type	Panel Mount
-------------------------	-------------

Industry Standards

Glow Wire Rating	Standard Part - Not Glow Wire
------------------	-------------------------------

Packaging Features

Packaging Method	Loose Piece
------------------	-------------

Product Compliance

[For compliance documentation, visit the product page on TE.com>](#)

EU RoHS Directive 2011/65/EU	Compliant
EU ELV Directive 2000/53/EC	Not Yet Reviewed
China RoHS 2 Directive MIIT Order No 32, 2016	No Restricted Materials Above Threshold
EU REACH Regulation (EC) No. 1907/2006	Current ECHA Candidate List: JAN 2021 (211)



Candidate List Declared Against: JUN 2013
(144)
SVHC > Threshold:
Not Yet Reviewed

Halogen Content
Low Halogen - Br, Cl, F, I < 900 ppm per homogenous material. Also BFR/CFR/PVC Free

Solder Process Capability
Not applicable for solder process capability

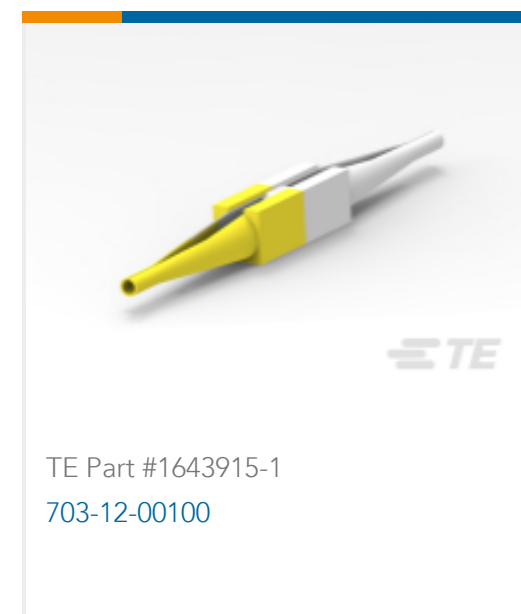
Product Compliance Disclaimer

This information is provided based on reasonable inquiry of our suppliers and represents our current actual knowledge based on the information they provided. This information is subject to change. The part numbers that TE has identified as EU RoHS compliant have a maximum concentration of 0.1% by weight in homogenous materials for lead, hexavalent chromium, mercury, PBB, PBDE, DBP, BBP, DEHP, DIBP, and 0.01% for cadmium, or qualify for an exemption to these limits as defined in the Annexes of Directive 2011/65/EU (RoHS2). Finished electrical and electronic equipment products will be CE marked as required by Directive 2011/65/EU. Components may not be CE marked. Additionally, the part numbers that TE has identified as EU ELV compliant have a maximum concentration of 0.1% by weight in homogenous materials for lead, hexavalent chromium, and mercury, and 0.01% for cadmium, or qualify for an exemption to these limits as defined in the Annexes of Directive 2000/53/EC (ELV). Regarding the REACH Regulations, TE's information on SVHC in articles for this part number is still based on the European Chemical Agency (ECHA) 'Guidance on requirements for substances in articles' (Version: 2, April 2011), applying the 0.1% weight on weight concentration threshold at the finished product level. TE is aware of the European Court of Justice ruling of September 10th, 2015 also known as O5A (Once An Article Always An Article) stating that, in case of 'complex object', the threshold for a SVHC must be applied to both the product as a whole and simultaneously to each of the articles forming part of its composition. TE has evaluated this ruling based on the new ECHA "Guidance on requirements for substances in articles" (June 2017, version 4.0) and will be updating its statements accordingly.

Compatible Parts

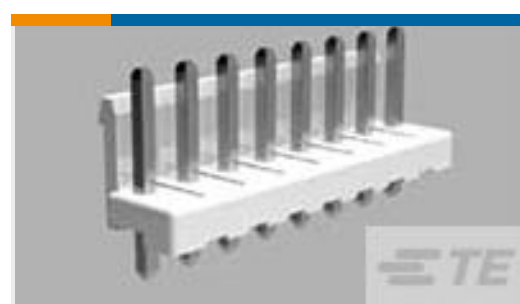


Customers Also Bought

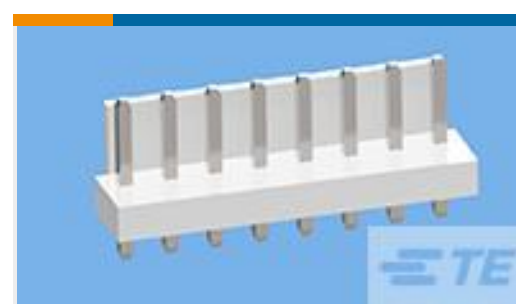




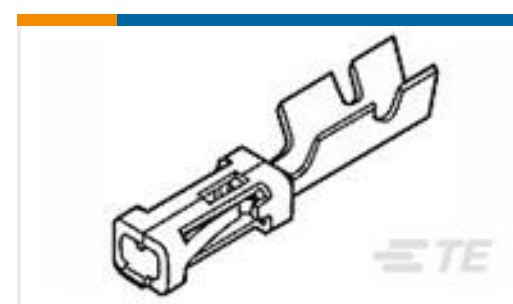
TE Part #1-794066-0
12P MINI UMNL HDR W/DH SN LF



TE Part #1-1318300-8
3.96 EP HDR ASSY 8P NAT/TUBE



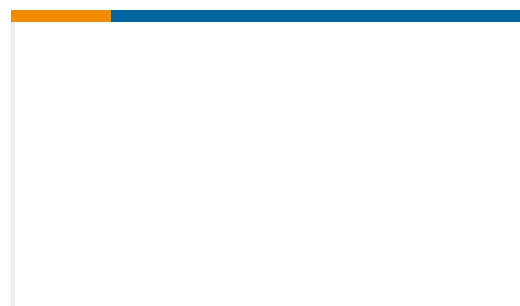
TE Part #1-1744489-0
3.96 EP HDR ASY 10P NO PEG, GW



TE Part #1-87195-8
MOD IV RECP LP



TE Part #1052978-1
2054 1201 02



TE Part #1-1423696-0
NUT,3/8,KNURL,15.0,BRASS

Documents

Product Drawings

[902-84-02113=SCREW,SHOULDER,#6-32](#)

English

CAD Files

[3D PDF](#)

3D

Customer View Model

[ENG_CVM_CVM_1650106-1_F.2d_dxf.zip](#)

English

Customer View Model

[ENG_CVM_CVM_1650106-1_F.3d_igs.zip](#)

English

Customer View Model

[ENG_CVM_CVM_1650106-1_F.3d_stp.zip](#)

English

By downloading the CAD file I accept and agree to the [Terms and Conditions](#) of use.

Datasheets & Catalog Pages

[POWER_CONNECTORS_CATALOG_SEC02_CABLE_MOUNTED](#)

English

[AMP & ELCON Power Connector Layout Forms Datasheet 6-1773444-7](#)

English

Product Specifications

[Application Specification](#)

English



[Product Environmental Compliance](#)

[TE Material Declaration](#)

English